

HWH® Straight-Acting, Power-Extend/Power-Retract
AP43838 24,000 lbs. each jack with a 16" stroke

Available for Fifth Wheel, Horse & Specialty Trailers



Jacks can be used as landing gear or in combination with other jacks to make a complete leveling system.

Includes the following features...

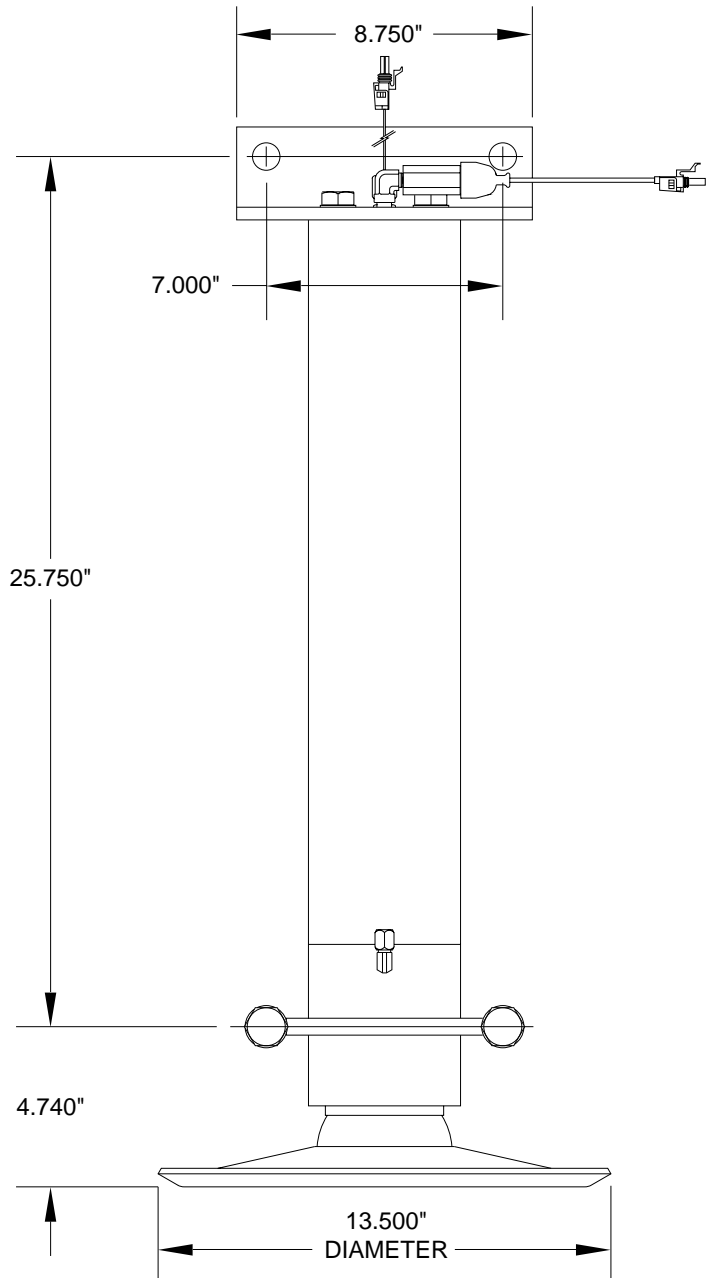
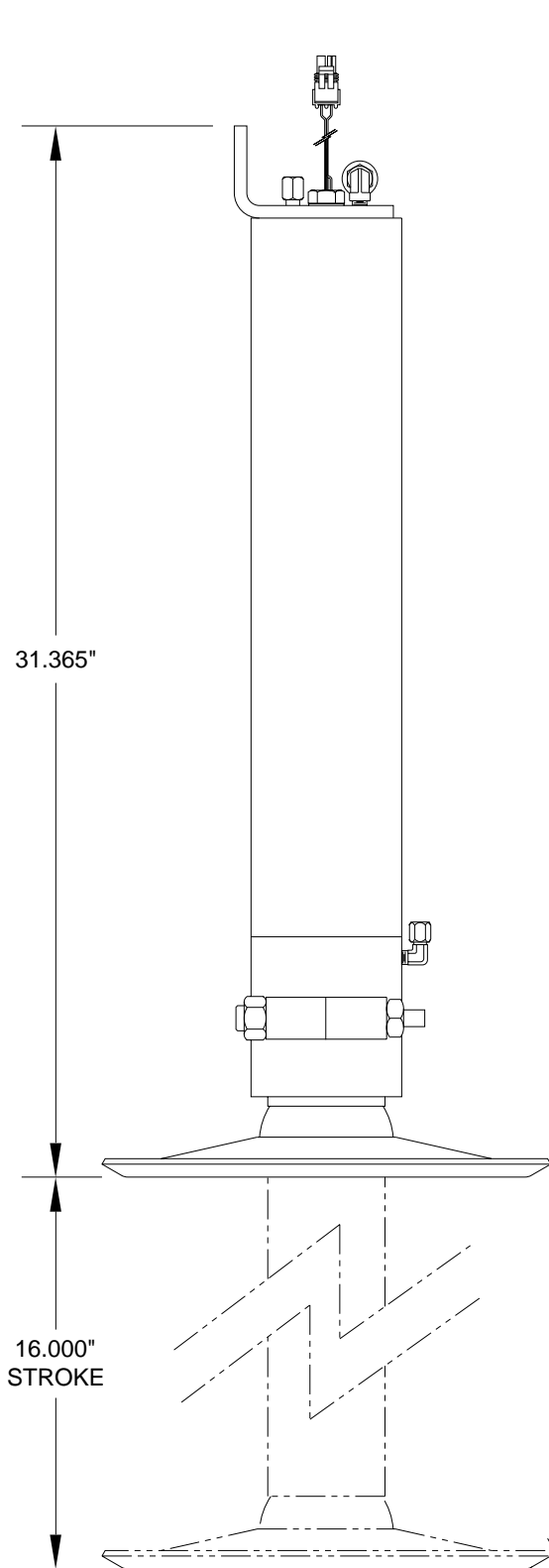
- Strong, hydraulic power-extend/power-retract jacks with a 16" stroke.
- Jack lifting capacity is 24,000 pounds per jack.
- Large pivoting foot pads allow for maximum stability.
- State-of-the-art corrosion protected hydraulic cylinders designed for long life.



(On I-80, Exit 267 South) | 2096 Moscow Road | Moscow, Iowa 52760
Phone: (800)321-3494 or (563)724-3396 | Fax: (563)724-3408 | Web: www.HWH.com
Made in the USA

STRONG, RELIABLE, HYDRAULIC POWER

Specifications & Features
HWH®: Straight-Acting, Power-Extend/Power-Retract Jack
AP43838 - 24,000 lb. Jack with a 16" Stroke



Specifications...

WEIGHTS (lbs.)

Each "Power-Extend/Power-Retract" Jack	XX
--	----

DIMENSIONS (in.)

Jack Width	8.75
Retracted Jack Height	31.365
Jack Stroke	16.000

LOAD PER JACK (lbs.)

24,000

PRIMARY APPLICATIONS

Towables