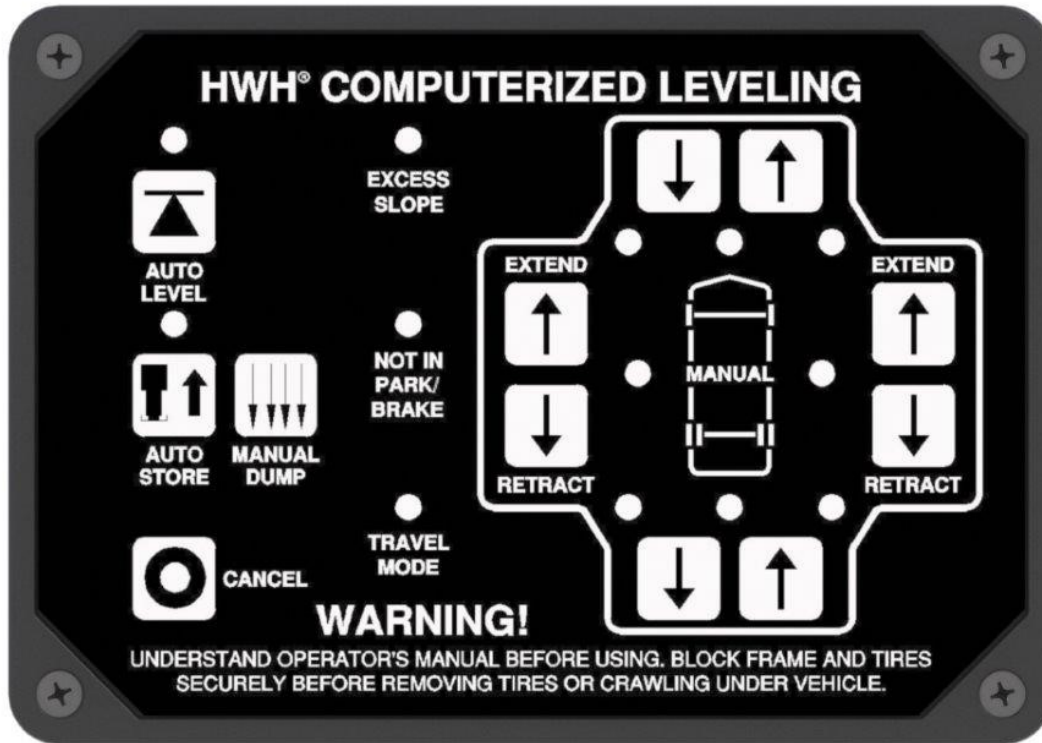


HWH[®] Automatic Touch Panel

725 Series, Computer-Controlled Hydraulic Leveling System
(with BI-AXIS[®] Touch Panel Control)



Includes the following features...

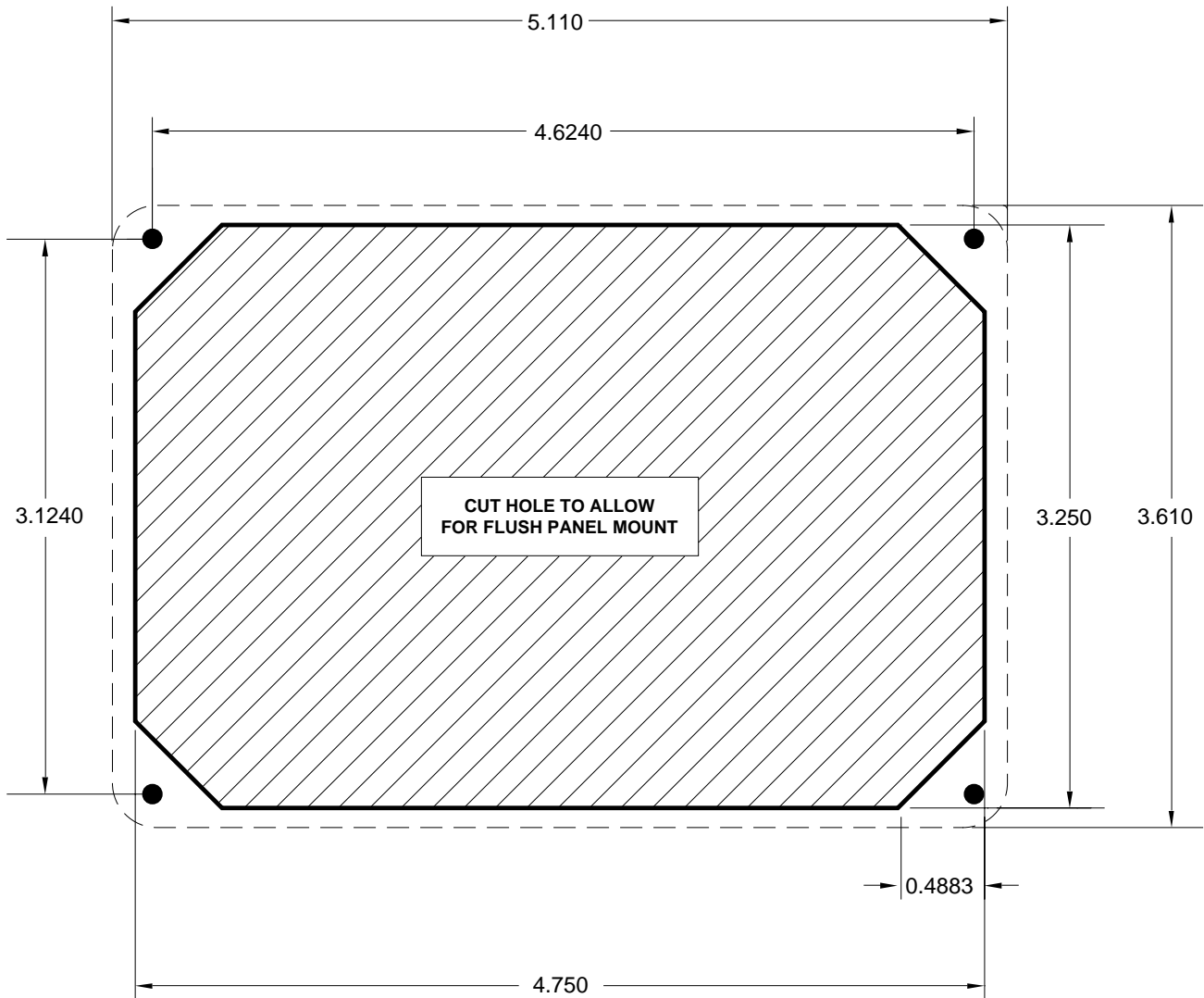
- Easy-to-use touch panel controller for true automatic operation.
- Quick and easy leveling - no guesswork.
- One button gives you complete leveling sequence.
- Computer selects the most efficient way to level your RV.
- Touch buttons and yellow level indicator lights provide for manual operation if desired.
- Individual red jack-down indicator lights provided.
- 725 Series is identified by the blue LED Auto Level and Auto Store lights.



2096 Moscow Road, Moscow, IA 52760 | Ph: 800-321-3494 | Fax: 563-724-3408 | www.HWH.com

STRONG, RELIABLE, HYDRAULIC POWER

Installation Information
HWH® Automatic Touch Panel
725 Series touch-panel controller with automatic and manual controls



DASH LINE INDICATES OUTER BEZEL
* USE ACTUAL BEZEL FOR
POSITIONING MOUNTING HOLES

