



HYDRAULIC LINE CONNECTION DIAGRAMS

HWH® SPACEMAKER® SLIDE-OUT SYSTEMS

FEATURING:

*Dual-Cylinder "Universal Platform Level-Out (UPL0)" Slide-Out System
With One Lift Cylinder*

HWH CORPORATION

(On I-80, Exit 267 South)

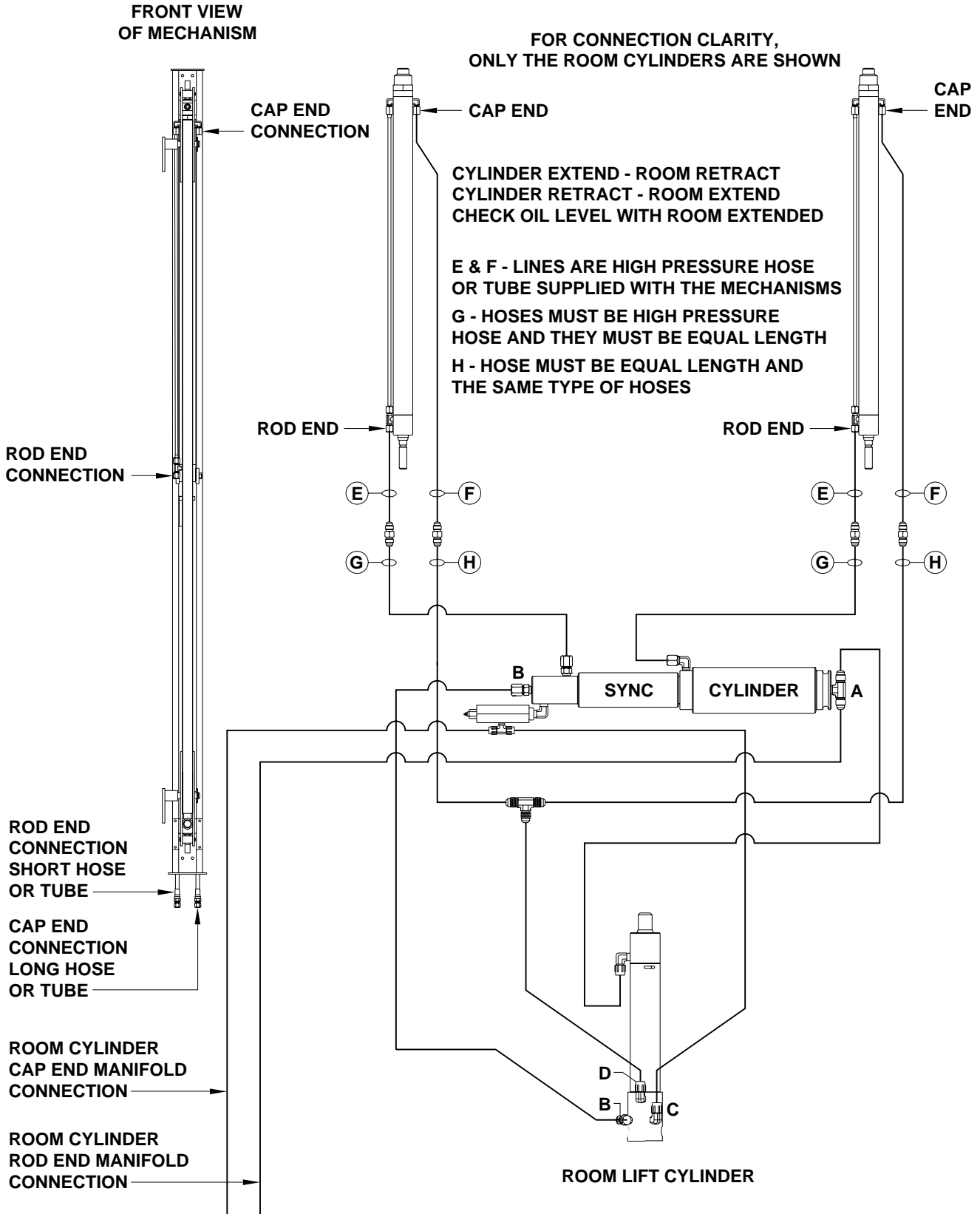
2096 Moscow Road | Moscow, Iowa 52760

Ph: 800/321-3494 (or) 563/724-3396 | Fax: 563/724-3408

www.hwh.com

**ML50395/MP04.9800I
20JUN12**

GENERIC HYDRAULIC LINE CONNECTION DIAGRAM UNIVERSAL PLATFORM LEVEL OUT ROOM EXTENSION ONE PLATFORM LIFT CYLINDER

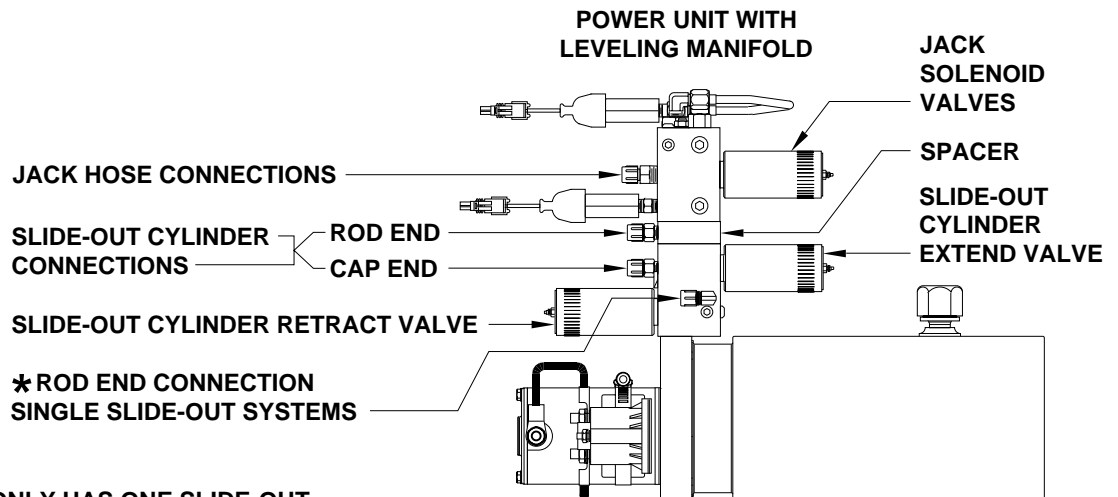


SEE MP64.9900 FOR
PUMP MANIFOLD CONNECTION VARIATIONS

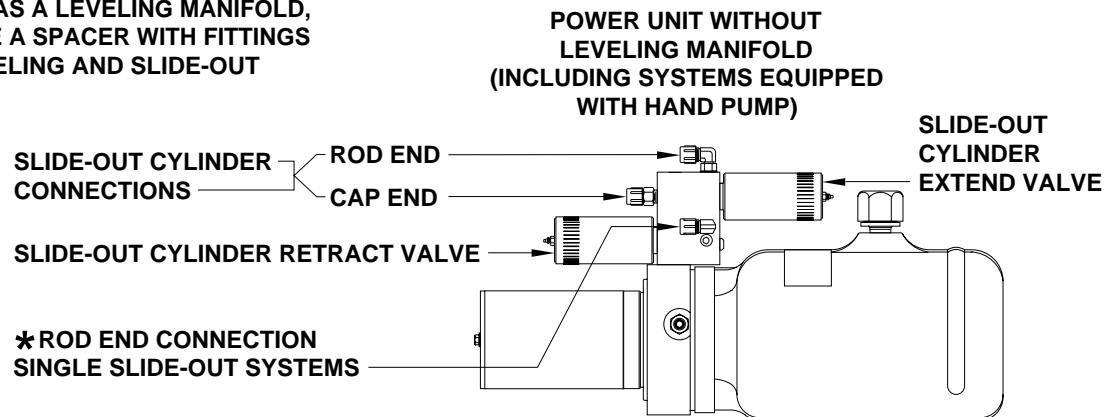
HYDRAULIC LINE CONNECTION DIAGRAM

SLIDE-OUT LINE CONNECTIONS AT THE MANIFOLD

ALL HWH SLIDE-OUT MECHANISMS



* IF THE VEHICLE ONLY HAS ONE SLIDE-OUT AND THE MANIFOLD IS NOT EQUIPPED WITH AN AUXILIARY HAND PUMP, THE ROD END HOSE CONNECTION MAY BE AT A FITTING THAT IS ON EITHER END OF THE SLIDE-OUT MANIFOLD. IF THE POWER UNIT HAS A LEVELING MANIFOLD, THERE WILL NOT BE A SPACER WITH FITTINGS BETWEEN THE LEVELING AND SLIDE-OUT MANIFOLDS.

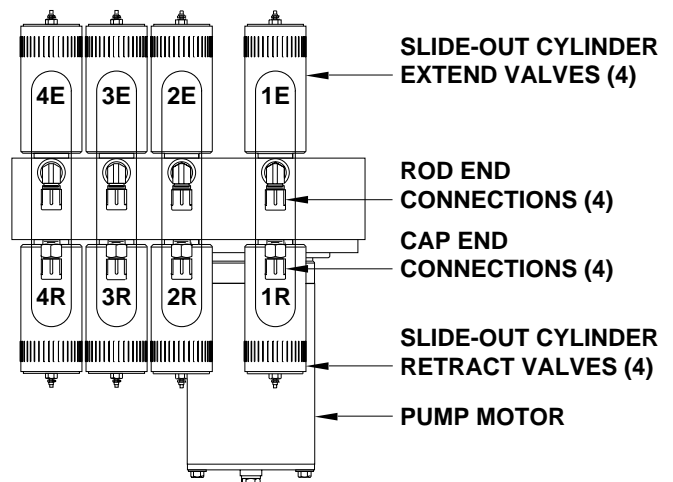


HOSE CONNECTIONS AT THE MANIFOLD ARE CRITICAL. IMPROPER HOSE ROUTING WILL CAUSE INCORRECT SLIDE-OUT FUNCTION AND CAN CAUSE SEVERE DAMAGE TO SLIDE-OUT CYLINDERS OR SOLENOID VALVES. IF A ROD AND CAP END HOSE ARE REVERSED FOR A SLIDE-OUT, THE SLIDE-OUT CYLINDER(S) WILL EXTEND BUT NOT RETRACT.

THE ROD AND CAP HOSES MUST GO TO THE CORRECT FITTINGS IN LINE WITH THE CORRECT EXTEND AND RETRACT VALVES FOR THE SLIDE-OUT. IF THE ROD END OR CAP END HOSES FOR TWO SLIDE-OUTS ARE SWAPPED, EXTREME PRESSURE WILL DAMAGE THE SOLENOID VALVES OR SLIDE-OUT CYLINDERS.

CONNECTION INFORMATION ON THIS PAGE IS THE SAME FOR SYSTEMS EQUIPPED WITH AUXILIARY HAND PUMPS OR REMOTE SLIDE-OUT MANIFOLDS.

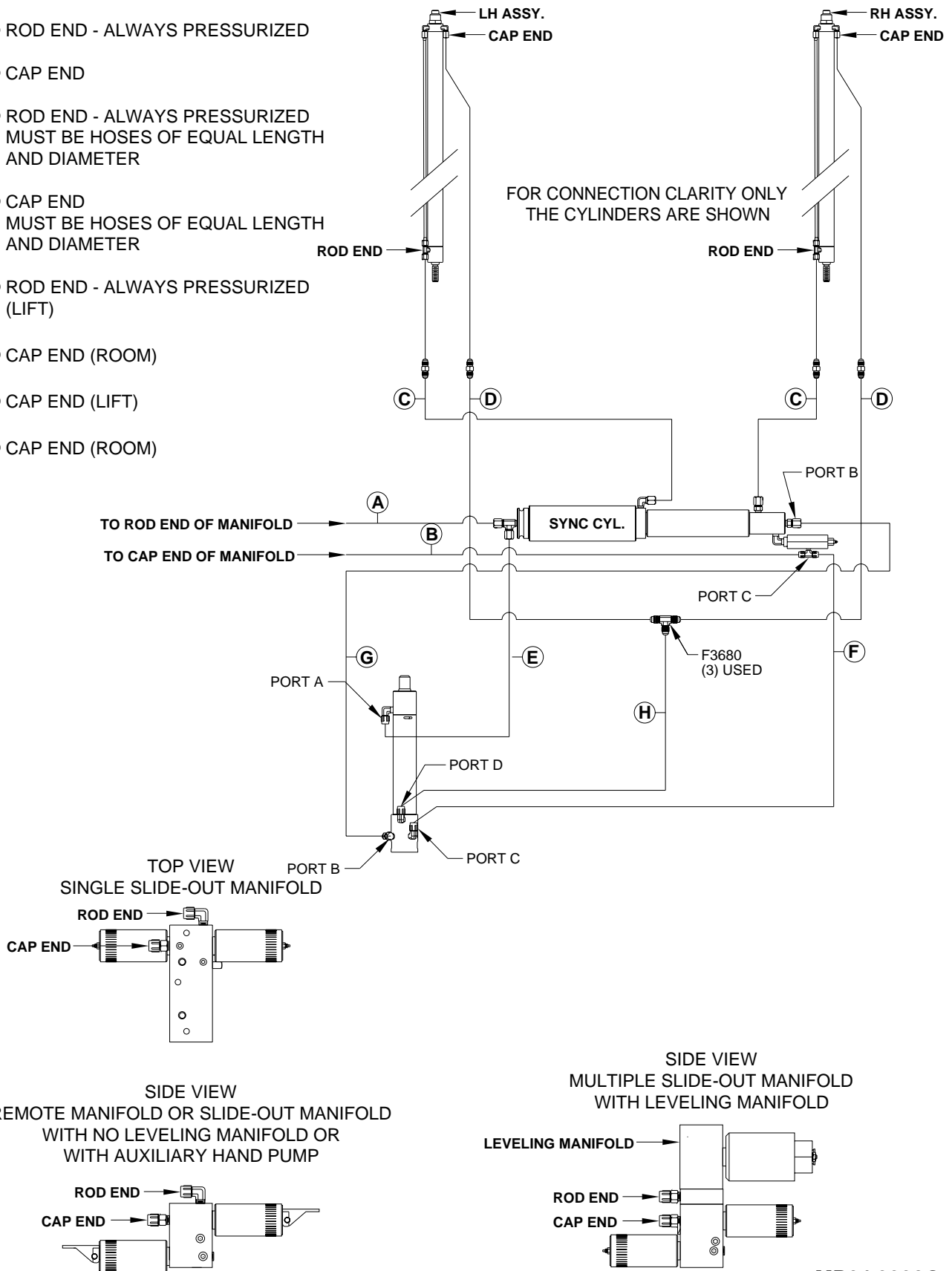
TOP VIEW OF 4 SLIDE-OUT MANIFOLD



HYDRAULIC LINE CONNECTION DIAGRAM

GENERIC DIAGRAM FOR UNIVERSAL PLATFORM LEVEL-OUT SLIDE-OUT WITH 1 CYLINDER PLATFORM LIFT

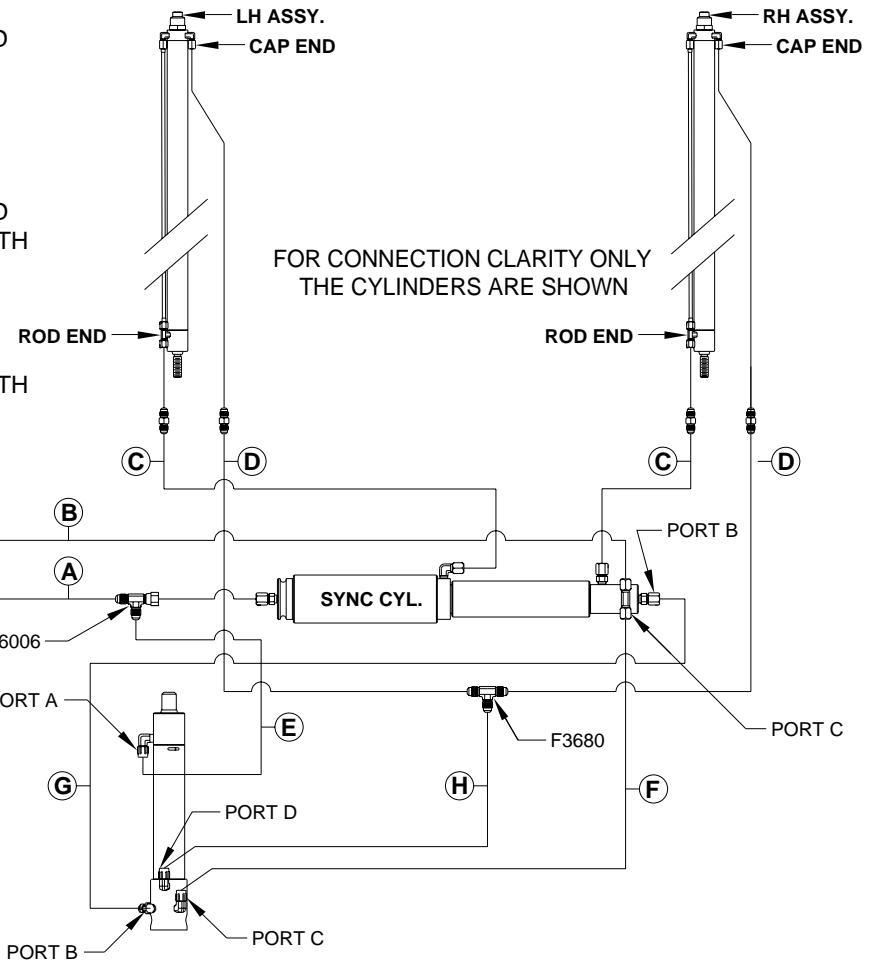
- Ⓐ ROD END - ALWAYS PRESSURIZED
- Ⓑ CAP END
- Ⓒ ROD END - ALWAYS PRESSURIZED
MUST BE HOSES OF EQUAL LENGTH AND DIAMETER
- Ⓓ CAP END
MUST BE HOSES OF EQUAL LENGTH AND DIAMETER
- Ⓔ ROD END - ALWAYS PRESSURIZED (LIFT)
- Ⓕ CAP END (ROOM)
- Ⓖ CAP END (LIFT)
- Ⓗ CAP END (ROOM)



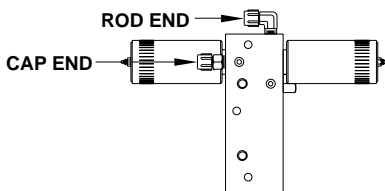
HYDRAULIC LINE CONNECTION DIAGRAM

GENERIC DIAGRAM FOR UNIVERSAL PLATFORM LEVEL-OUT SLIDE-OUT WITH 1 CYLINDER PLATFORM LIFT

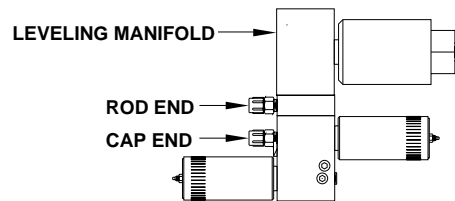
- Ⓐ ROD END - ALWAYS PRESSURIZED
- Ⓑ CAP END
- Ⓒ ROD END - ALWAYS PRESSURIZED
MUST BE HOSES OF EQUAL LENGTH
AND DIAMETER
- Ⓓ CAP END
MUST BE HOSES OF EQUAL LENGTH
AND DIAMETER
- Ⓔ TO CAP END OF MANIFOLD
- Ⓕ TO ROD END OF MANIFOLD
- Ⓖ ROD END - ALWAYS PRESSURIZED
(LIFT)
- Ⓗ CAP END (ROOM)
- Ⓙ CAP END (LIFT)
- Ⓚ CAP END (ROOM)



TOP VIEW
SINGLE SLIDE-OUT MANIFOLD



SIDE VIEW
MULTIPLE SLIDE-OUT MANIFOLD
WITH LEVELING MANIFOLD



SIDE VIEW
REMOTE MANIFOLD OR SLIDE-OUT MANIFOLD
WITH NO LEVELING MANIFOLD OR
WITH AUXILIARY HAND PUMP

