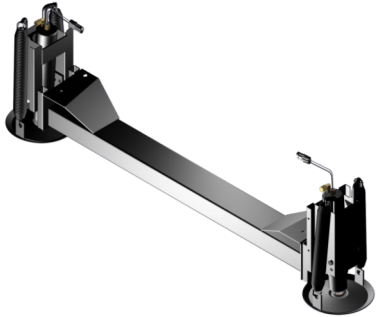




HWH[®] AP49821

Sprinter Leveling System

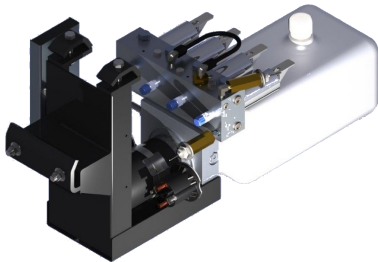
Sprinter 3500 Series Chassis, Winnebago View & Istaca Navion
(Five Cylinder Engines Only)



AP37523 Jack Kit
Two Straight-Acting
(Power-Extend/Spring-Retract) Jacks with a
lifting capacity of 4,000 lbs. per jack on the front
(Fits five cylinder diesel)



AP37524 Jack Kit
Two Straight-Acting
(Power-Extend/Spring-Retract) Jacks with a
lifting capacity of 6,000 lbs. per jack on the rear
(Fits five cylinder diesel)



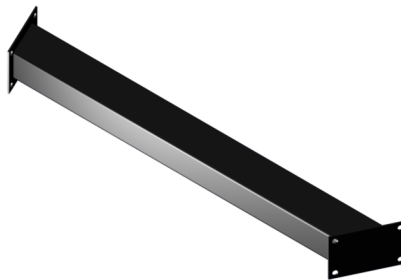
AP53008 Power Unit Kit
725 Series, 12 Volt DC Motor and Pump
125 amp - 3,000 psi relief with prewired
control module and jack valving



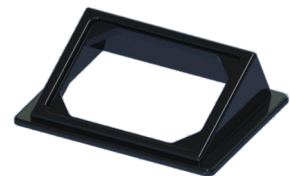
AP52515 Control Kit
725 Series, Single-Step BIAXIS[®]
Touch Panel-Controlled Hydraulic
Leveling System with
Leveze[®] Light Package



AP0252 Hose Kit



AP37525 Crosstie Kit (Rear)



P35390 Bezel Plate



www.HWH.com



2096 Moscow Road, Moscow, IA 52760 Ph: 800-321-3494 | Fax: 563-724-3408



Installation Info

STRONG, RELIABLE, HYDRAULIC POWER

ML51120_AP49821.PUB 22SEP14