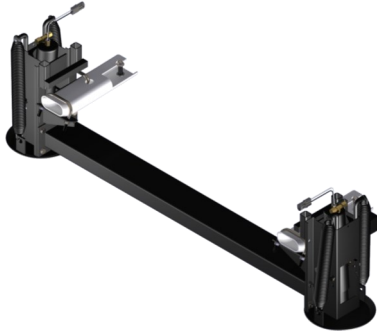




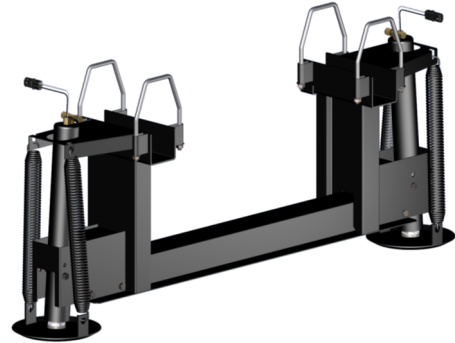
# HWH<sup>®</sup> AP49822 Sprinter Leveling System

2008 Sprinter 3500 Series Chassis with the V6 Diesel Engine  
and Coach Build date after 11/2006  
Winnebago View & Itasca Navion Only



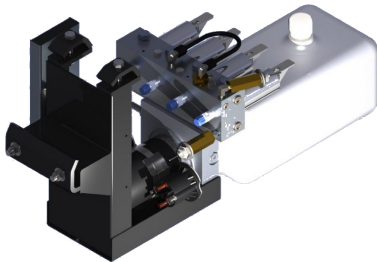
### AP40816 Jack Kit

Two Straight-Acting  
(Power-Extend/Spring-Retract) Jacks with a  
lifting capacity of 4,000 lbs. per jack on the front



### AP40817 Jack Kit

Two Straight-Acting  
(Power-Extend/Spring-Retract) Jacks with a  
lifting capacity of 6,000 lbs. per jack on the rear



### AP53008 Power Unit Kit

725 Series, 12 Volt DC Motor and Pump  
125 amp - 3,000 psi relief with  
prewired control module and jack valving

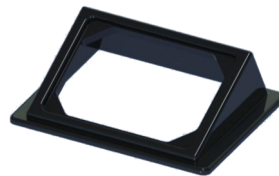


### AP52515 Control Kit

725 Series, Single-Step BI-AXIS<sup>®</sup>  
Touch Panel-Controlled Hydraulic  
Leveling System with Leveleze<sup>®</sup> Light Package



### AP0252 Hose Kit



### P35390 Bezel Plate



[www.HWH.com](http://www.HWH.com)



2096 Moscow Road, Moscow, IA 52760 Ph: 800-321-3494 | Fax: 563-724-3408



Installation Info

# STRONG, RELIABLE, HYDRAULIC POWER

ML51120\_AP49822.PUB 22SEP14