

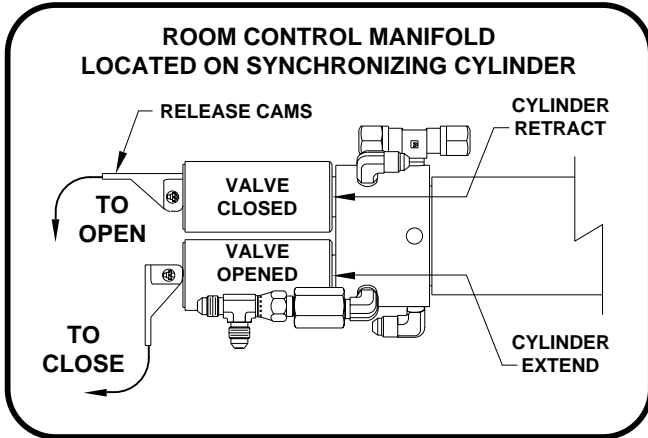
OPERATING PROCEDURES

"UNIVERSAL LEVEL OUT" ROOM EXTENSION MECHANISM

MANUAL ROOM LIFT PROCEDURES

NOTE: Manual room lift procedures must be done before manual room retraction procedures.

IMPORTANT: RELEASE CAM MIGHT BE ROTATED TO ANY DIRECTION ON THE VALVE. MAKE SURE TO MOVE THE RELEASE CAMS IN THE CORRECT DIRECTION. INCORRECT MOVEMENT OF THE CAMS CAN DAMAGE THE VALVES.



1. Determine which synchronizing cylinder controls the room. Manually open the valve release cams for the extend and retract solenoid valves by moving the cams to the "VALVE OPENED" position as shown.

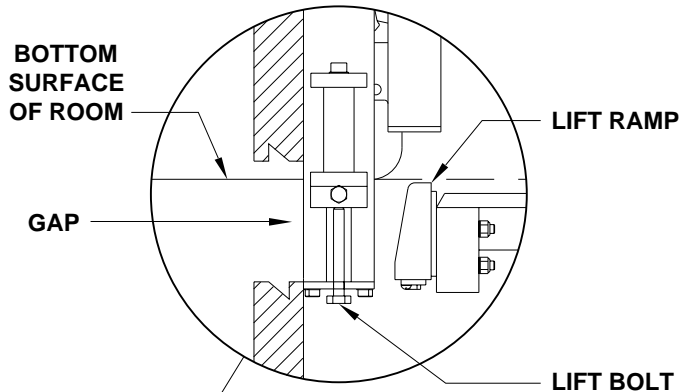
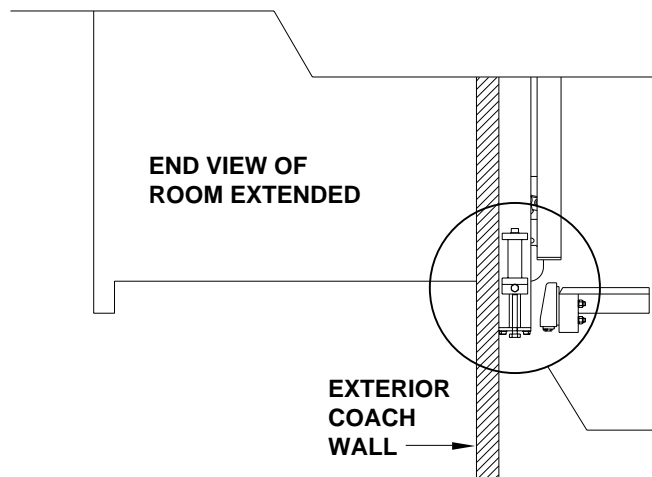
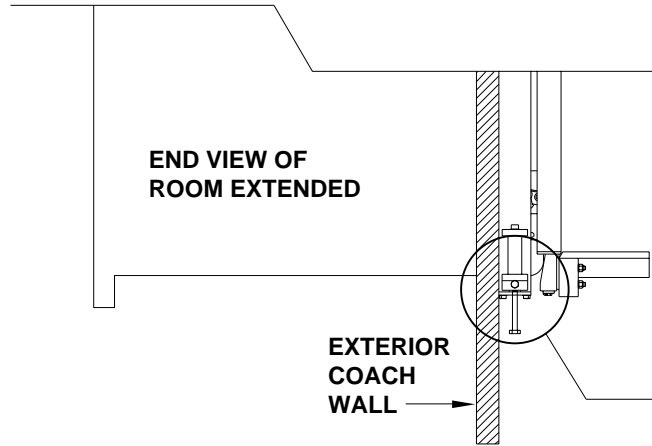
2. Start both room lift bolts until resistance is met, one for the front and one for the rear mechanism should be provided.

NOTE: To locate the room lift access holes and bolts refer to vehicle manufacturer.

3. **Do Not use an impact wrench.** Using a 9/16 wrench alternate between lift bolts turning each 4 full turns each time. Lift the room only as far as is needed to clear the bottom surface of the room over the lift ramps. **As the room is lifted a gap should develop allowing you to view the lift ramps more clearly.**

4. Follow MANUAL ROOM RETRACT PROCEDURES.

IMPORTANT: If at any stage something is not understood or if the room begins to bind **DO NOT** force the room, contact HWH Customer Service for assistance 1-800-321-3494.



OPERATING PROCEDURES

"UNIVERSAL LEVEL OUT" ROOM EXTENSION MECHANISM

MANUAL ROOM RETRACT PROCEDURES

NOTE: Manual room lift procedures must be done before manual room retraction procedures.

1. Start both threaded rods until resistance is met, one for the front and one for the rear mechanism should be provided.

NOTE: To access the threaded blocks refer to vehicle manufacturer.

2. **Do Not use an impact wrench.** Using wrench provided, a personal wrench or a tire iron with a 1-1/8" opening rotate either mechanism's threaded rod clockwise 6 complete turns.

3. Move to the other room extension mechanism, rotate the threaded rod clockwise 12 complete turns.

4. Return to the first room extension mechanism and rotate the threaded rod clockwise 12 complete turns.

5. Repeat steps 3 and 4 alternating from mechanism to mechanism rotating each threaded rod 12 complete turns until room is sealed. (DO NOT exceed 15 ft.lbs) Make sure the room does not bind.

IMPORTANT: If at any stage something is not understood or if the room begins to bind DO NOT force the room, contact HWH Customer Service for assistance 1-800-321-3494.

NOTE: Leave the solenoid valves open, the lift bolts and threaded rods in place until the room has been serviced.

IMPORTANT: DO NOT EXTEND THE ROOM UNTIL THE ROOM HAS BEEN SERVICED. ANY SOLENOID VALVES LEFT OPEN SHOULD BE CLOSED, LIFT BOLTS AND THREADED RODS SHOULD BE COMPLETELY REMOVED.

NOTE: If there is not enough room to remove both threaded rods completely, alternate backing the threaded rods out and slightly extending the room. Be careful to not extend the room so far that the threaded rods impact the coach wall or the mechanism.

