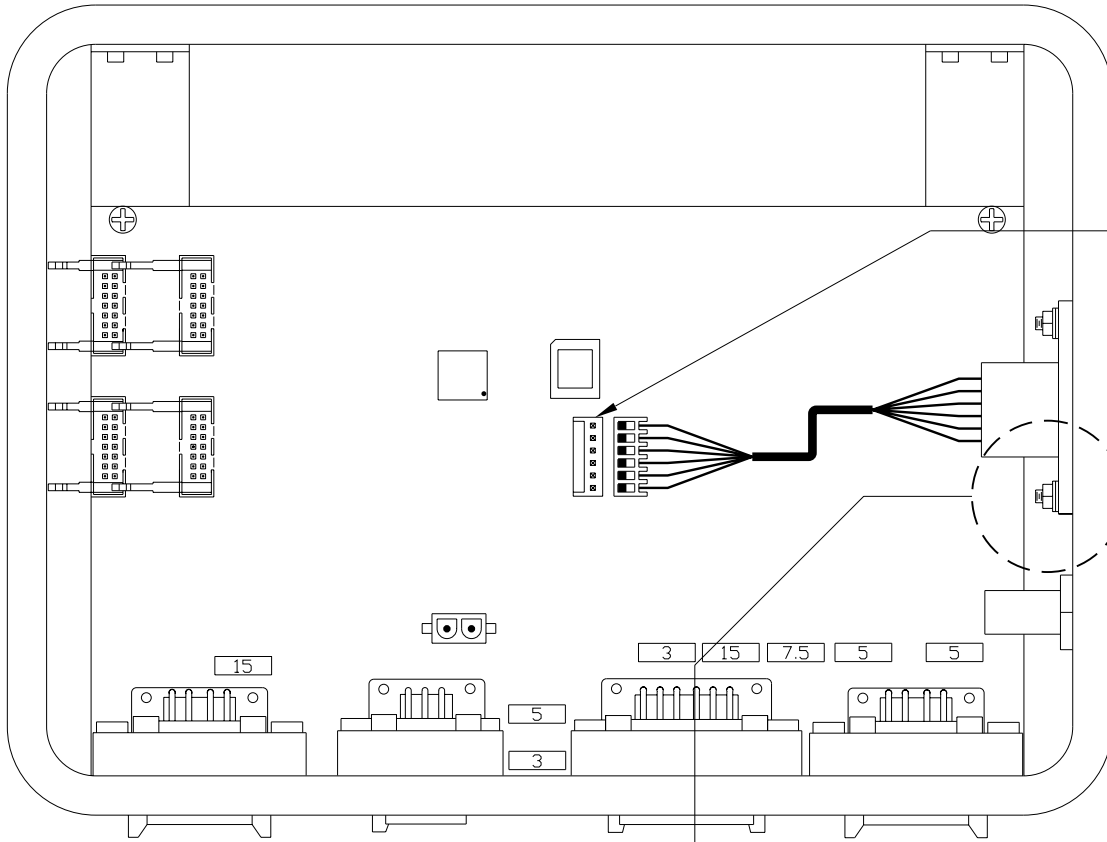


SENSING UNIT REPLACEMENT 2000 SERIES LEVELING SYSTEMS



1

LOCATE THE OLD SENSING UNIT PIGTAIL IN THE CENTER OF THE MOTHERBOARD

IF THE LEVEL SENSOR CONNECTOR HAS ONLY FIVE PINS, THE CONTROL BOX MUST BE REPLACED OR SENT TO HWH CORPORATION FOR REWORK

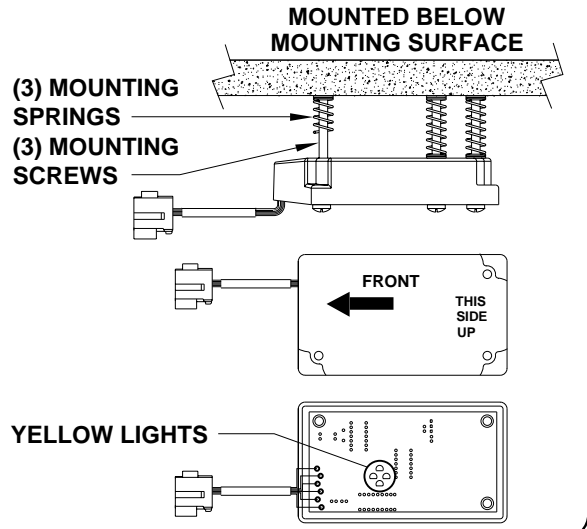
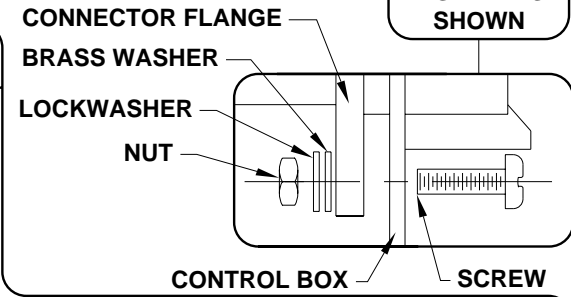
2

REMOVE THE OLD PIGTAIL AND INSTALL THE NEW PIGTAIL AS SHOWN

3

COMPLETELY REMOVE THE OLD SENSING UNIT AND ITS HARDWARE. DO NOT USE THE OLD HOLES OR HARDWARE FOR MOUNTING THE NEW SENSING UNIT. MOUNT THE NEW SENSING UNIT IN THE SAME MANNER AS THE OLD ONE. BE SURE THAT THE "THIS SIDE UP" TEXT ON THE UNIT IS FACING THE SKY NOT THE GROUND. BE SURE THAT THE FRONT (ARROW) ON THE UNIT IS ORIENTED TO THE FRONT OF THE VEHICLE. PLUG THE HARNESS AND SENSING UNIT TOGETHER.

LEVEL THE VEHICLE BY PLACING A CIRCULAR BUBBLE LEVEL IN THE CENTER OF THE FREEZER FLOOR OR A LOCATION WITHIN THE VEHICLE THAT IS TO BE LEVEL. WITH THE VEHICLE LEVEL, ADJUST THE SENSING UNIT UNTIL ALL OF THE YELLOW LIGHTS ARE OFF. THIS IS DONE BY DRAWING UP THE CORRESPONDING SCREW IF THE THE SENSING UNIT IS MOUNTED BELOW THE SURFACE AS SHOWN OR BACKING OUT THE CORRESPONDING SCREW IF THE SENSING UNIT IS MOUNTED ABOVE THE SURFACE. BUMP THE SENSING UNIT TO SEE THAT IT IS SETTLED TIGHT AGAINST ALL THREE SCREW HEADS AND STILL INDICATES THAT THE UNIT IS LEVEL.



INSTRUCTION SHEET

LEVEL SENSING UNIT MAINTENANCE/SERVICE

REMOTE MOUNTED "POTTED" ELECTRONIC LEVEL SENSING UNIT

LEVEL SENSING UNIT ACCURACY TOLERANCE

The sensing unit has an accuracy tolerance of ± 5.4 inches front to rear and ± 1 inch side to side on a 36 foot vehicle. Typical leveling results will be better.

LEVEL SENSING UNIT ADJUSTMENT / WITH ADJUSTING ENHANCEMENT

Level the vehicle by placing a bubble level in the center of the freezer floor or upon whichever surface within the vehicle that is to be level. It is best if the level is placed close to the mounting area of the sensing unit. Using the Leveling System and the bubble level, ignoring the yellow LEVEL lights on the Touch Panel, level the vehicle until the bubble is centered.

With the vehicle level according to the bubble level, if there are no yellow lights lit on the Touch Panel, the sensing unit is properly adjusted. If there are yellow LEVEL lights lit on the Touch Panel, manual adjustments to the Sensing Unit are needed.

The ignition (motorized units) or master power switch (towable units) must be on. Remove the "Adjusting Enhancement Cap". **DO NOT LOSE THIS CAP.** There is a small pin beneath the cap. Use a jumper wire with an alligator clip to apply a ground to the pin. This will make the sensing unit very sensitive. The yellow lights may "jump" around while adjusting the sensing unit. Let the lights settle down after each adjustment. Small, gentle turns will work best. Turn mounting screws 1 and 3 to adjust the sensing unit. Turn screws as instructed to turn out all of the yellow LEDs. When all the LEDs are out, remove the jumper wire and replace the adjusting enhancement cap. **DO NOT** over tighten.

Move the vehicle to an unlevel position and level the vehicle according to the yellow level sensing lights on the touch panel. Readjust if necessary.

IMPORTANT: THE SENSING UNIT MOUNTING SPRINGS SHOULD BE COMPRESSED ABOUT 1/2 THEIR FREE LENGTH. SCREW NUMBER 2 SHOULD NOT BE TURNED WHILE ADJUSTING THE SENSING UNIT. AFTER ADJUSTING THE SENSING UNIT, BUMP THE SENSING UNIT TO SEE THAT IT IS SETTLED TIGHT AGAINST ALL THREE SCREW HEADS AND STILL INDICATES THAT THE UNIT IS LEVEL.

NOTE: If opposing LED's are lit, there is a problem with the Sensing Unit.

If LED (A) is lit: Tighten adjustment screw number 1 until the LED is off.

If LED (C) is lit: Loosen adjustment screw number 1 until the LED is off.

If LED (B) is lit: Loosen adjustment screw number 3 until the LED is off.

If LED (D) is lit: Tighten adjustment screw number 3 until the LED is off.

NOTE: JUMPER WIRE MUST BE REMOVED AND THE ENHANCEMENT CAP REPLACED FOR NORMAL OPERATION.

