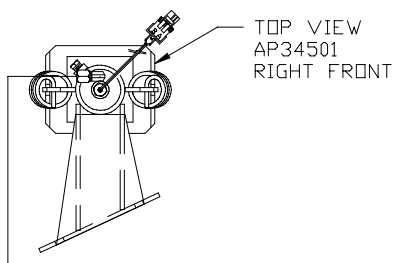
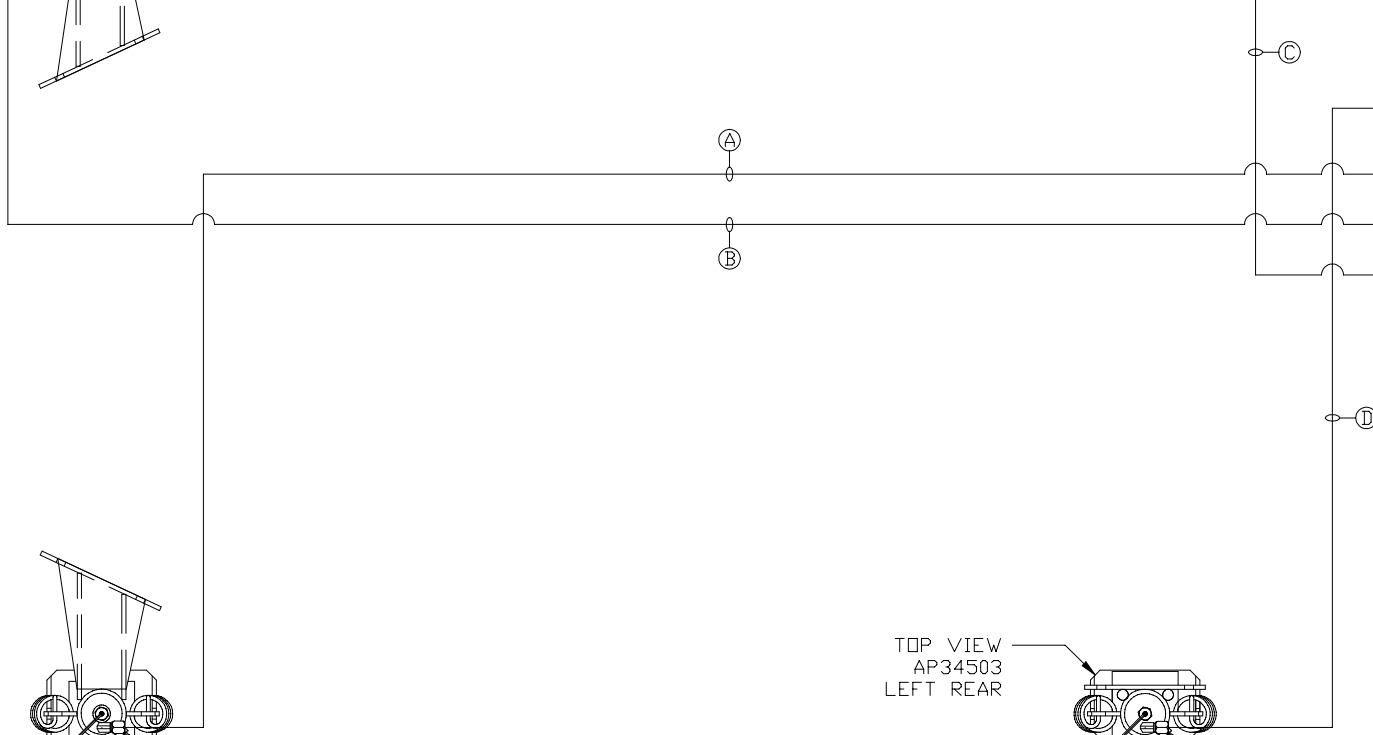
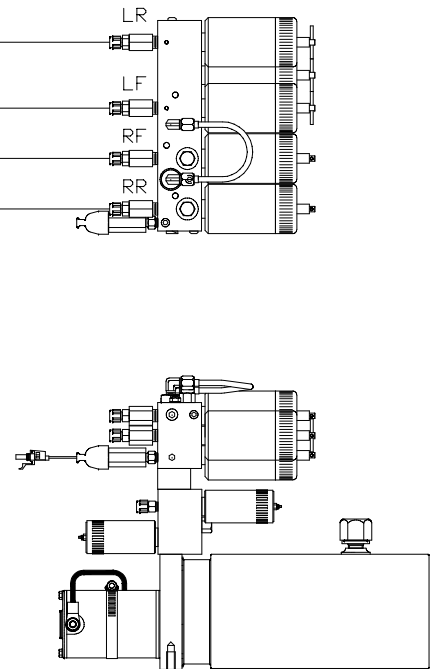
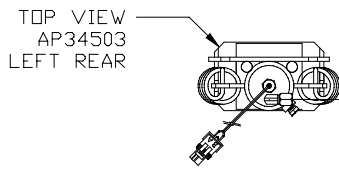
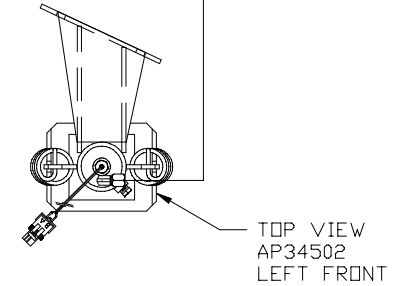
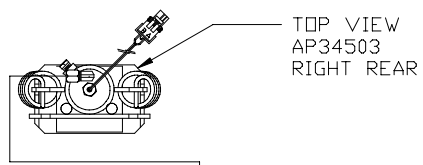


ORIENTATION  
 ← FRONT



- Ⓐ AP5561 HOSE ASSY .25" × 336"
- Ⓑ AP2465 HOSE ASSY .25" × 348"
- Ⓒ AP4827 HOSE ASSY .25" × 144"
- Ⓓ AP4065 HOSE ASSY .25" × 156"



1	10APR05	CORRECTED ROD/CAP CONN.
NO.	DATE	REVISION

HWH I-80 EXIT 267 SOUTH  
 RT 1 MOSCOW, IOWA 52760

SCALE 1:6 DATE 19APR05 DRAWN BY .

HYD CONN DIAGRAM

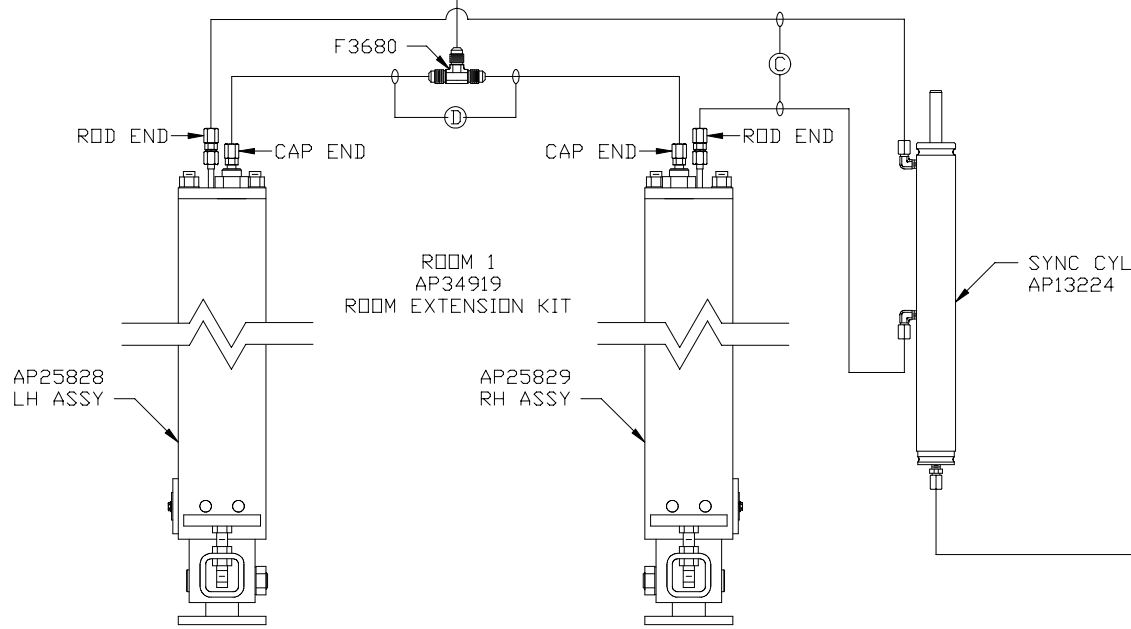
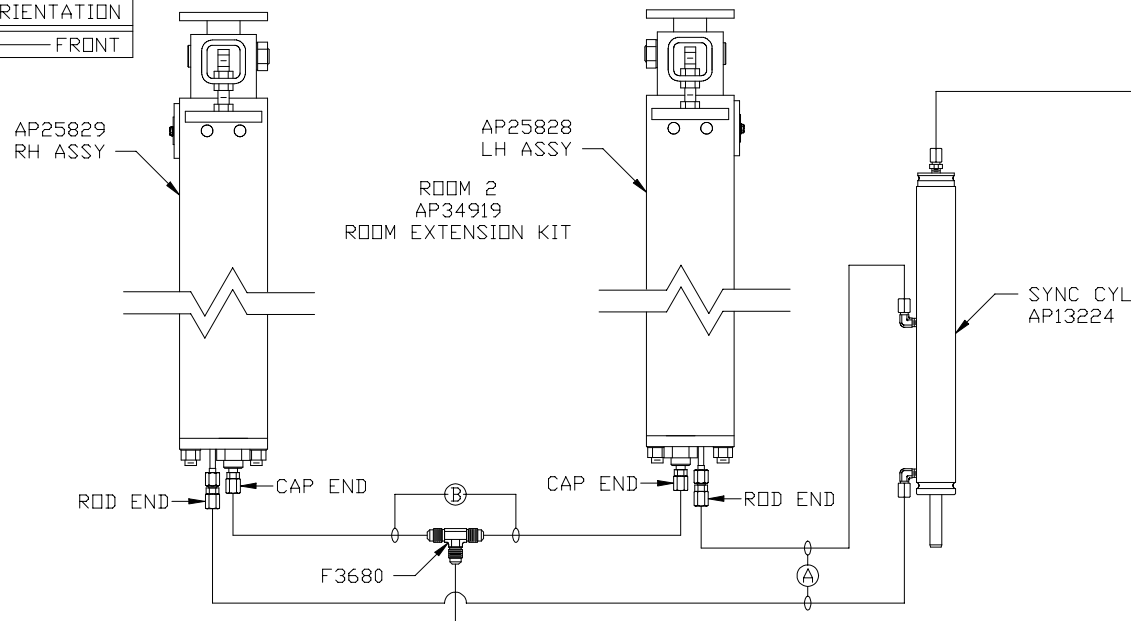
LEVELING SYSTEM: AP35139

THE INFORMATION DISCLOSED ON THIS DRAWING IS CONFIDENTIAL AND MUST NOT BE DISCLOSED OR USED IN ANY MANNER WHICH WILL BE DETRIMENTAL TO THE HWH CORPORATION

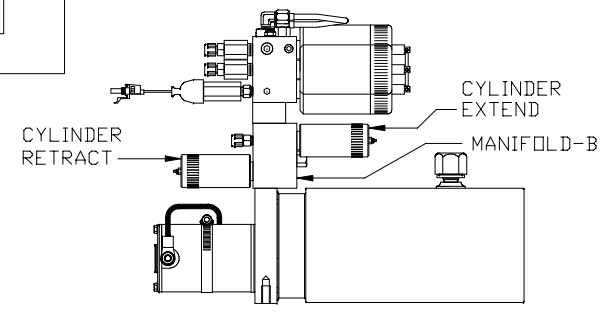
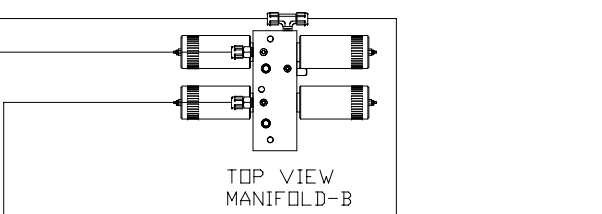
SCOTT MEDICAL

DRAWING NUMBER  
 MP69389 A/B

ORIENTATION  
← FRONT



- Ⓐ .125" DIAMETER HOSE  
ROD END - ALWAYS PRESSURIZED - MUST BE HIGH PRESSURE  
HOSES OF EQUAL LENGTH AND DIAMETER
- Ⓑ CAP END - MUST MAINTAIN EQUAL LENGTH AND DIAMETER
- Ⓒ .125" DIAMETER HOSE  
ROD END - ALWAYS PRESSURIZED - MUST BE HIGH PRESSURE  
HOSES OF EQUAL LENGTH AND DIAMETER
- Ⓓ CAP END - MUST MAINTAIN EQUAL LENGTH AND DIAMETER



SIDE VIEW PUMP/MANIFOLD-AP35148  
ORIENTATION OF PUMP/MANIFOLD  
ASSEMBLY MAY DIFFER  
NOTE: HOSES ARE SUPPLIED BY  
THE OEM AND ARE .25" DIAMETER  
UNLESS OTHERWISE NOTED