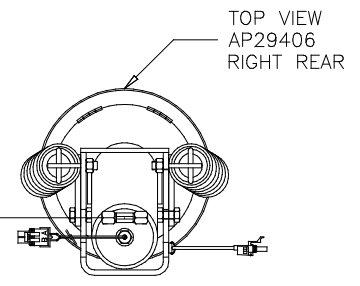
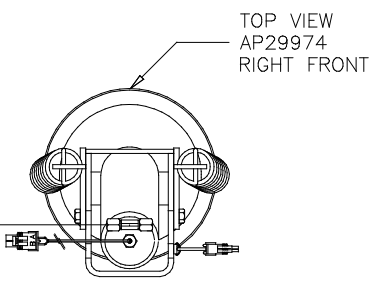
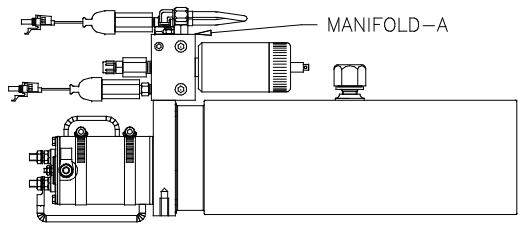
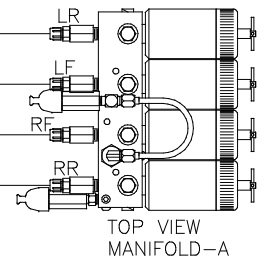
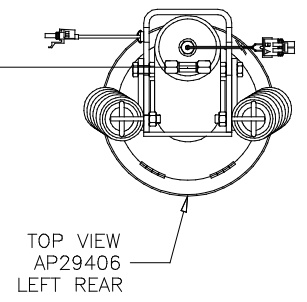
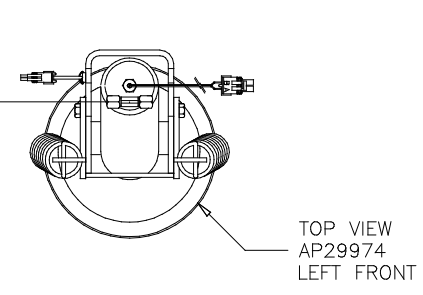


ORIENTATION  
 ← FRONT



- Ⓐ AP2464 HOSE ASSY .25" x 324"
- Ⓑ AP4730 HOSE ASSY .25" x 356"
- Ⓒ AP6115 HOSE ASSY .25" x 168"
- Ⓓ AP4827 HOSE ASSY .25" x 144"

CROSS TIES REQUIRED FOR  
 FRONT AND REAR JACKS



LOCATION AND ORIENTATION OF  
 PUMP/MANIFOLD ASSEMBLY MAY  
 DIFFER DEPENDING UPON O.E.M.

LEVELING SYSTEM: AP35860

NO.	DATE	REVISION

HWH 1-80 EXIT 267 SOUTH  
 RT 1 MOSCOW, IOWA 52760  
 SCALE 1:6 DATE 26MAY05 DRAWN BY .

HYD CONN DIAGRAM

WAKERLEY DRAWING NUMBER  
 MP69446

THE INFORMATION DISCLOSED ON THIS DRAWING IS CONFIDENTIAL AND MUST NOT BE DISCLOSED OR USED IN ANY MANNER WHICH WILL BE DETRIMENTAL TO THE HWH CORPORATION