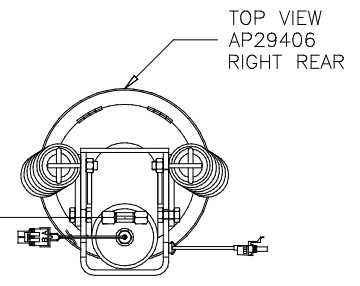
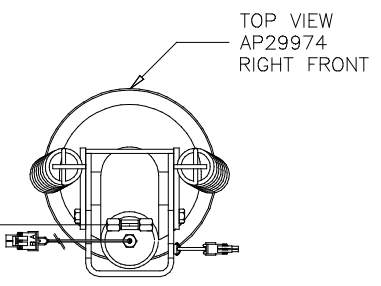
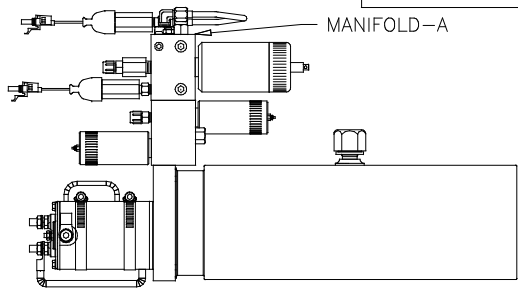
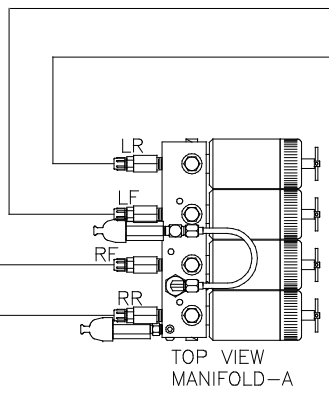
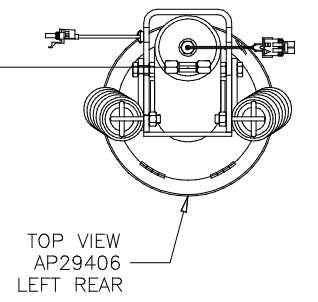
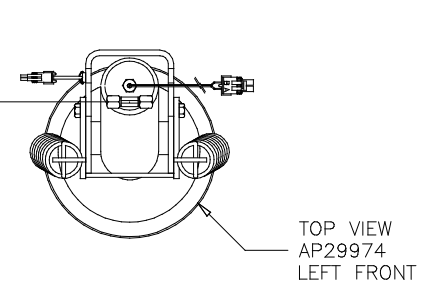


ORIENTATION  
 ← FRONT



- Ⓐ AP2464 HOSE ASSY .25" x 324"
- Ⓑ AP4730 HOSE ASSY .25" x 356"
- Ⓒ AP6115 HOSE ASSY .25" x 168"
- Ⓓ AP4827 HOSE ASSY .25" x 144"

CROSS TIES REQUIRED FOR  
 FRONT AND REAR JACKS



LOCATION AND ORIENTATION OF  
 PUMP/MANIFOLD ASSEMBLY MAY  
 DIFFER DEPENDING UPON O.E.M.

LEVELING SYSTEM: AP35863

NO.	DATE	REVISION

HWH 1-80 EXIT 267 SOUTH  
 RT 1 MOSCOW, IOWA 52760

SCALE 1:6 DATE 09JUN05 DRAWN BY .

HYD CONN DIAGRAM

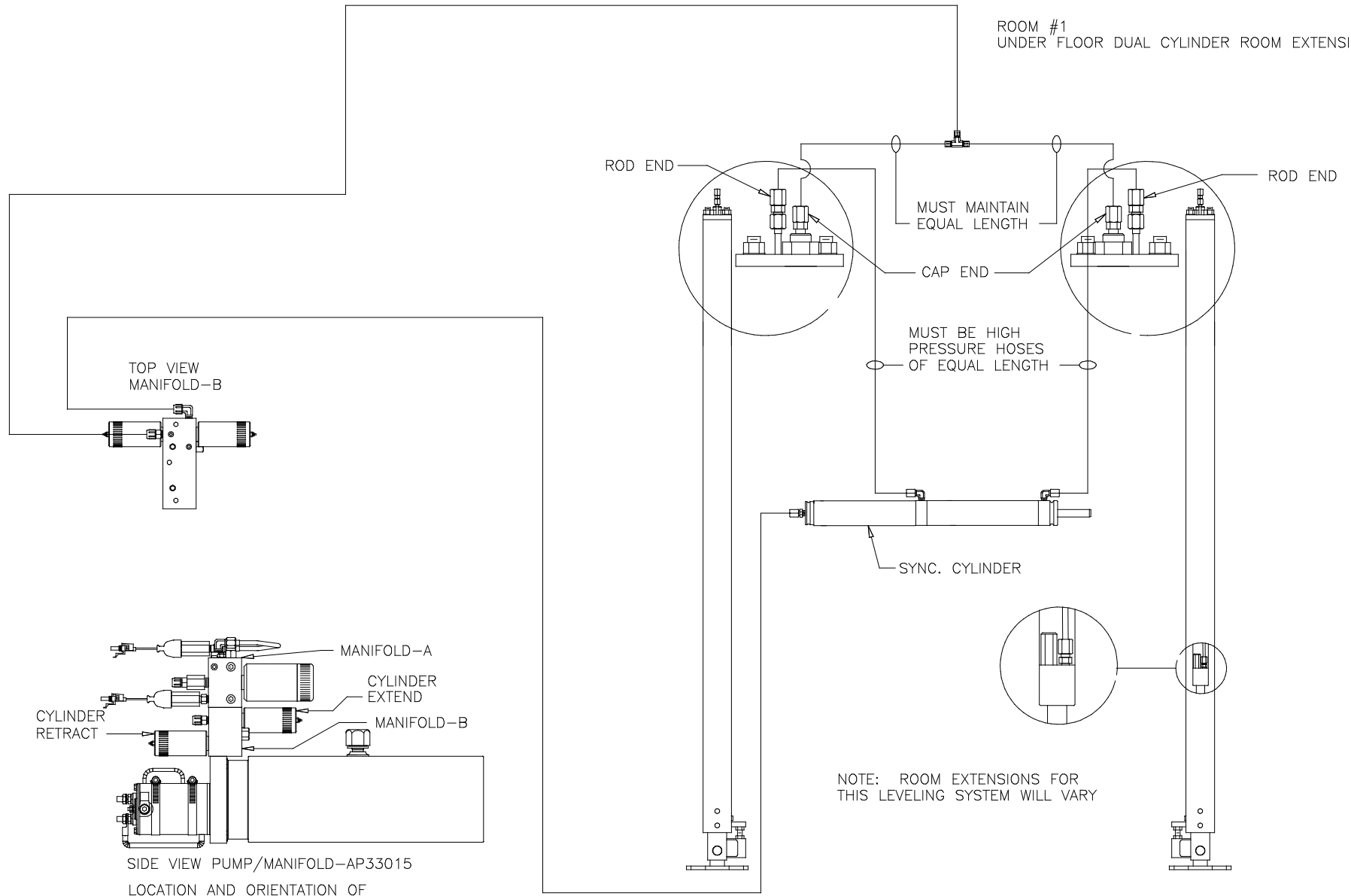
THE INFORMATION DISCLOSED ON THIS DRAWING IS CONFIDENTIAL AND MUST NOT BE DISCLOSED OR USED IN ANY MANNER WHICH WILL BE DETRIMENTAL TO THE HWH CORPORATION

WAKERLEY

DRAWING NUMBER  
 MP69447 A/B

ORIENTATION  
 ← FRONT

ROOM #1  
 UNDER FLOOR DUAL CYLINDER ROOM EXTENSION



SIDE VIEW PUMP/MANIFOLD-AP33015

LOCATION AND ORIENTATION OF PUMP/MANIFOLD ASSEMBLY MAY DIFFER DEPENDING UPON O.E.M.