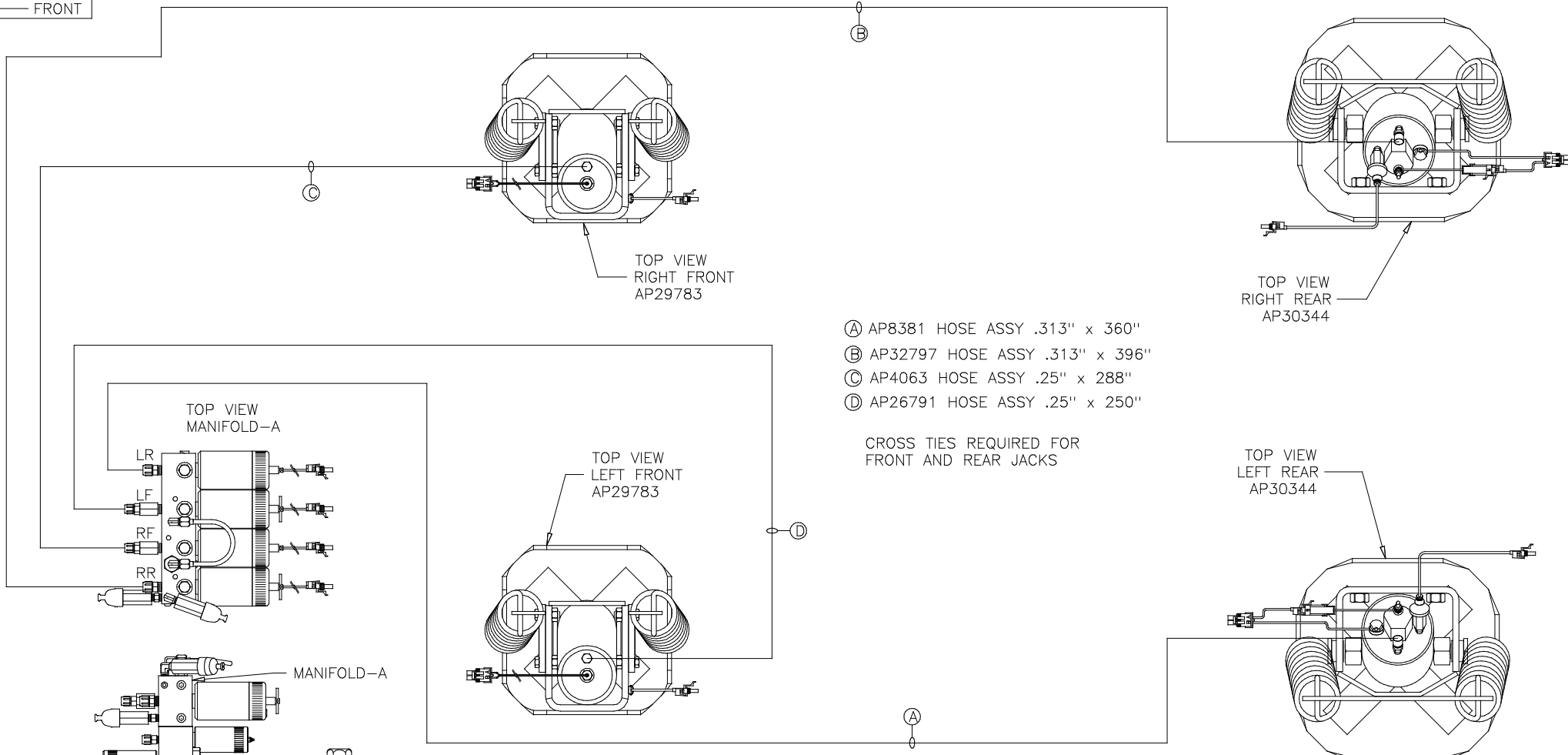


ORIENTATION
 ← FRONT



TOP VIEW
 RIGHT FRONT
 AP29783

TOP VIEW
 RIGHT REAR
 AP30344

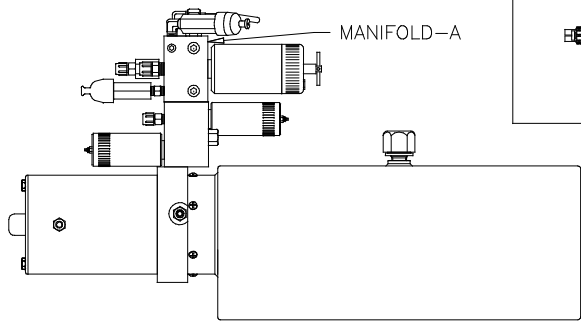
TOP VIEW
 MANIFOLD-A

TOP VIEW
 LEFT FRONT
 AP29783

TOP VIEW
 LEFT REAR
 AP30344

- Ⓐ AP8381 HOSE ASSY .313" x 360"
- Ⓑ AP32797 HOSE ASSY .313" x 396"
- Ⓒ AP4063 HOSE ASSY .25" x 288"
- Ⓓ AP26791 HOSE ASSY .25" x 250"

CROSS TIES REQUIRED FOR
 FRONT AND REAR JACKS



SIDE VIEW PUMP/MANIFOLD-AP35869
 LOCATION AND ORIENTATION OF
 PUMP/MANIFOLD ASSEMBLY MAY
 DIFFER DEPENDING UPON O.E.M.

LEVELING SYSTEM: AP35866

NO.	DATE	REVISION

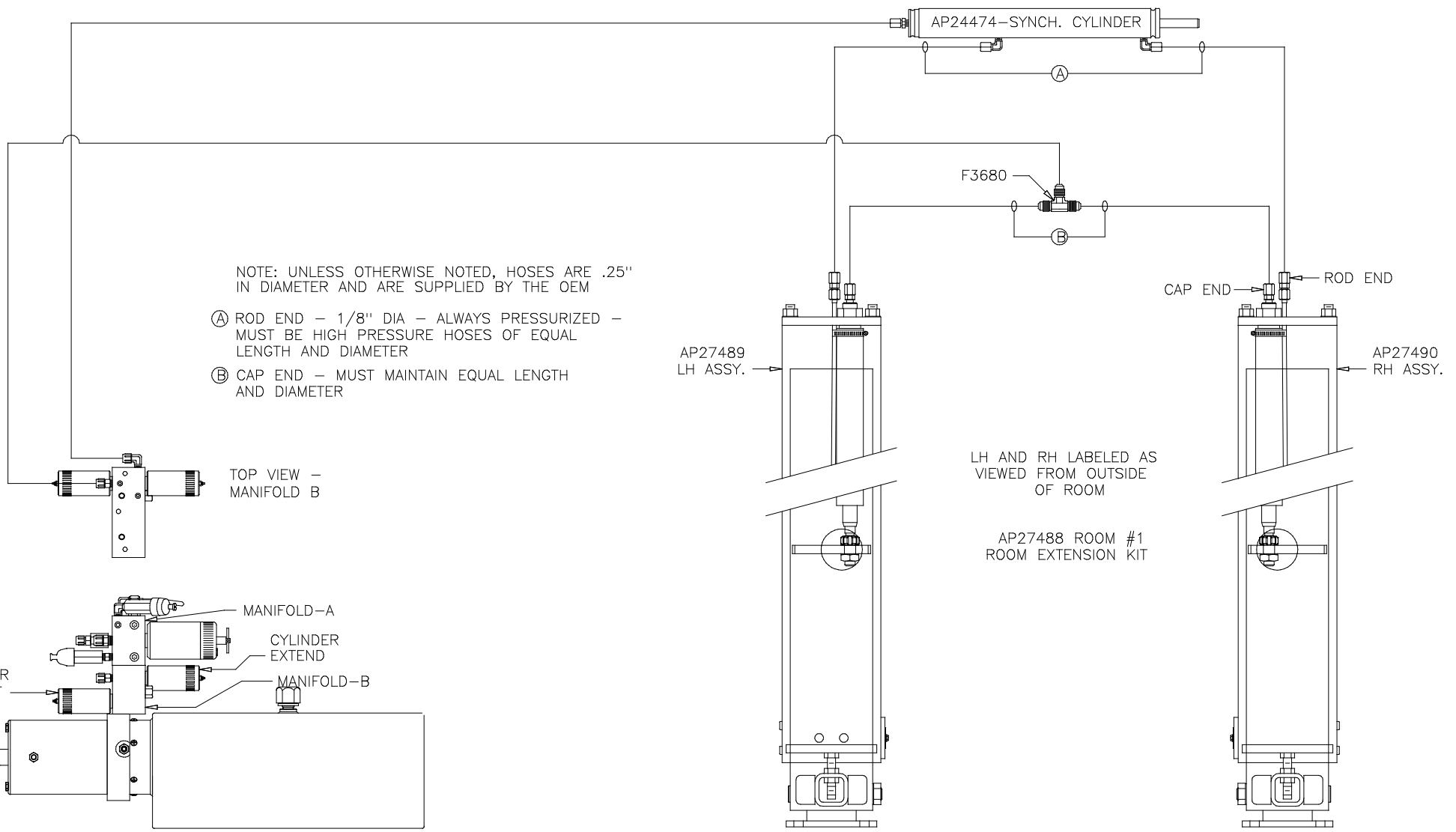
HWH I-80 EXIT 267 SOUTH
 RT 1 MOSCOW, IOWA 52760
 SCALE 1:6 DATE 03JUN05 DRAWN BY .

HYD CONN DIAGRAM

THE INFORMATION DISCLOSED ON THIS DRAWING IS CONFIDENTIAL AND MUST NOT BE DISCLOSED OR USED IN ANY MANNER WHICH WILL BE DETRIMENTAL TO THE HWH CORPORATION

WAKERLEY DRAWING NUMBER
 MP69448 A/B

ORIENTATION
 ← FRONT



NOTE: UNLESS OTHERWISE NOTED, HOSES ARE .25" IN DIAMETER AND ARE SUPPLIED BY THE OEM

Ⓐ ROD END - 1/8" DIA - ALWAYS PRESSURIZED - MUST BE HIGH PRESSURE HOSES OF EQUAL LENGTH AND DIAMETER

Ⓑ CAP END - MUST MAINTAIN EQUAL LENGTH AND DIAMETER

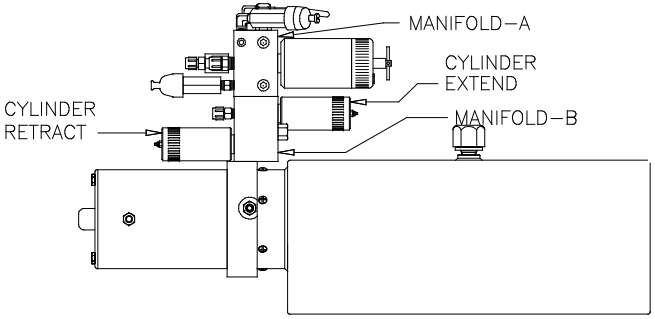
TOP VIEW - MANIFOLD B

AP27489 LH ASSY.

AP27490 RH ASSY.

LH AND RH LABELED AS VIEWED FROM OUTSIDE OF ROOM

AP27488 ROOM #1 ROOM EXTENSION KIT



SIDE VIEW PUMP/MANIFOLD-AP35869
 LOCATION AND ORIENTATION OF PUMP/MANIFOLD ASSEMBLY MAY DIFFER DEPENDING UPON O.E.M.