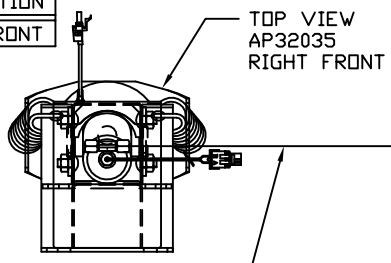
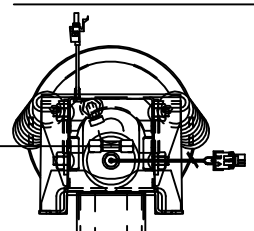


ORIENTATION
← FRONT

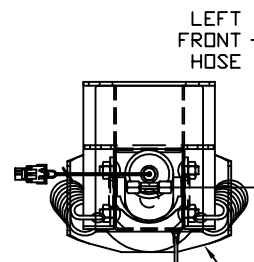
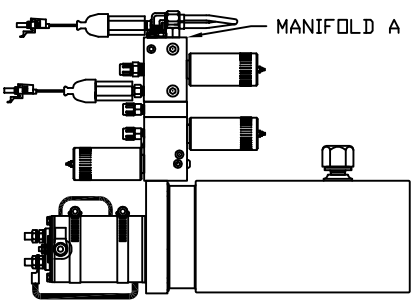
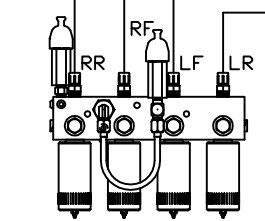


RIGHT
FRONT
HOSE



RIGHT
REAR
HOSE

NOTE: CROSS TIE REQUIRED
FOR FRONT JACKS



LEFT
FRONT
HOSE

LEFT
REAR
HOSE

TOP VIEW
AP31983
REAR JACKS
KIT NUMBER
AP34764

| MODEL | HOSE KIT | LF HOSE | RF HOSE | RR HOSE | LR HOSE |
|-------|----------|---------|---------|---------|---------|
| G33V | AP32708 | AP4073 | AP7832 | AP4904 | AP4729 |
| G35U | AP32708 | AP4073 | AP7832 | AP4904 | AP4729 |

LEVELING SYSTEM: AP36733

| NO. | DATE | REVISION |
|-----|------|----------|
| | | |
| | | |
| | | |

HWH I-80 EXIT 267 SOUTH
RT 1 MOSCOW, IOWA 52760

SCALE 1:6 DATE 28DEC05 DRAWN BY .

HYD CONN DIAGRAM

THE INFORMATION DISCLOSED ON THIS DRAWING IS CONFIDENTIAL AND MUST NOT BE DISCLOSED OR USED IN ANY MANNER WHICH WILL BE DETRIMENTAL TO THE HWH CORPORATION

WINNEBAGO DRAWING NUMBER
MP69499 A/B

ORIENTATION
 ← FRONT

| MODEL | HOSE A | HOSE B | HOSES C | HOSES D | LH ROOM EXT | RH ROOM EXT | HOSE E | HOSE F | ROOM 2 | SINGLE CYL EXT |
|-------|--------|--------|---------|---------|-------------|-------------|--------|--------|---------|----------------|
| G33V | AP4665 | AP5616 | AP24649 | AP4906 | AP33810 | AP27505 | AP5561 | AP8985 | AP23412 | AP23209 |
| G35U | AP4665 | AP5616 | AP24649 | AP4906 | AP27505 | AP27505 | AP5561 | AP8985 | AP16691 | AP19079 |

NOTE: HOSES C MUST BE HIGH PRESSURE HOSES OF EQUAL LENGTH AND DIAMETER

NOTE: HOSES D MUST BE EQUAL LENGTH AND DIAMETER

