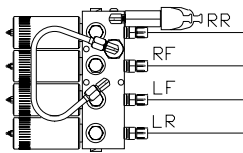


ORIENTATION

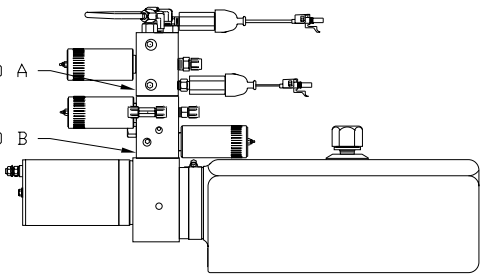
← FRONT

TOP VIEW
MANIFOLD A



MANIFOLD A

MANIFOLD B

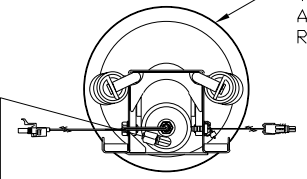


SIDE VIEW PUMP/MANIFOLD-AP37320

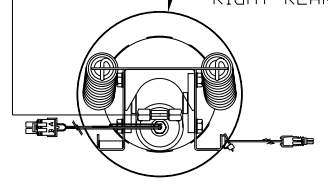
LOCATION AND ORIENTATION OF
PUMP/MANIFOLD ASSEMBLY WILL
DIFFER DEPENDING UPON O.E.M.

LEVELING SYSTEM: AP37021

TOP VIEW
AP36289
RIGHT FRONT



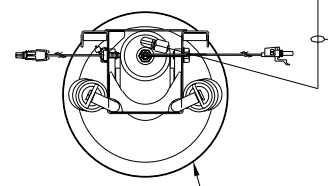
TOP VIEW
AP37149
RIGHT REAR



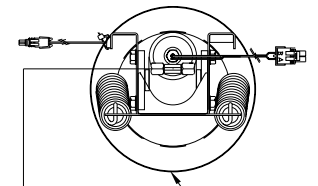
- Ⓐ AP24632 HOSE ASSY HWH02HP X 48"
- Ⓑ AP27857 HOSE ASSY HWH02HP X 110"
- Ⓒ AP24648 HOSE ASSY HWH02HP X 168"
- Ⓓ AP24659 HOSE ASSY HWH02HP X 256"

NOTE: CROSS TIE REQUIRED
FOR REAR JACKS

TOP VIEW
AP36046
LEFT FRONT



TOP VIEW
AP37149
LEFT REAR



| | | |
|-----|------|----------|
| | | |
| | | |
| | | |
| | | |
| | | |
| NO. | DATE | REVISION |

THE INFORMATION DISCLOSED ON THIS DRAWING IS CONFIDENTIAL AND MUST NOT BE DISCLOSED OR USED IN ANY MANNER WHICH WILL BE DETRIMENTAL TO THE HWH CORPORATION

HWH I-80 EXIT 267 SOUTH
RT 1 MOSCOW, IOWA 52760

SCALE 1:6 DATE 28FEB06 DRAWN BY .

HYD CONN DIAGRAM

COACH HOUSE

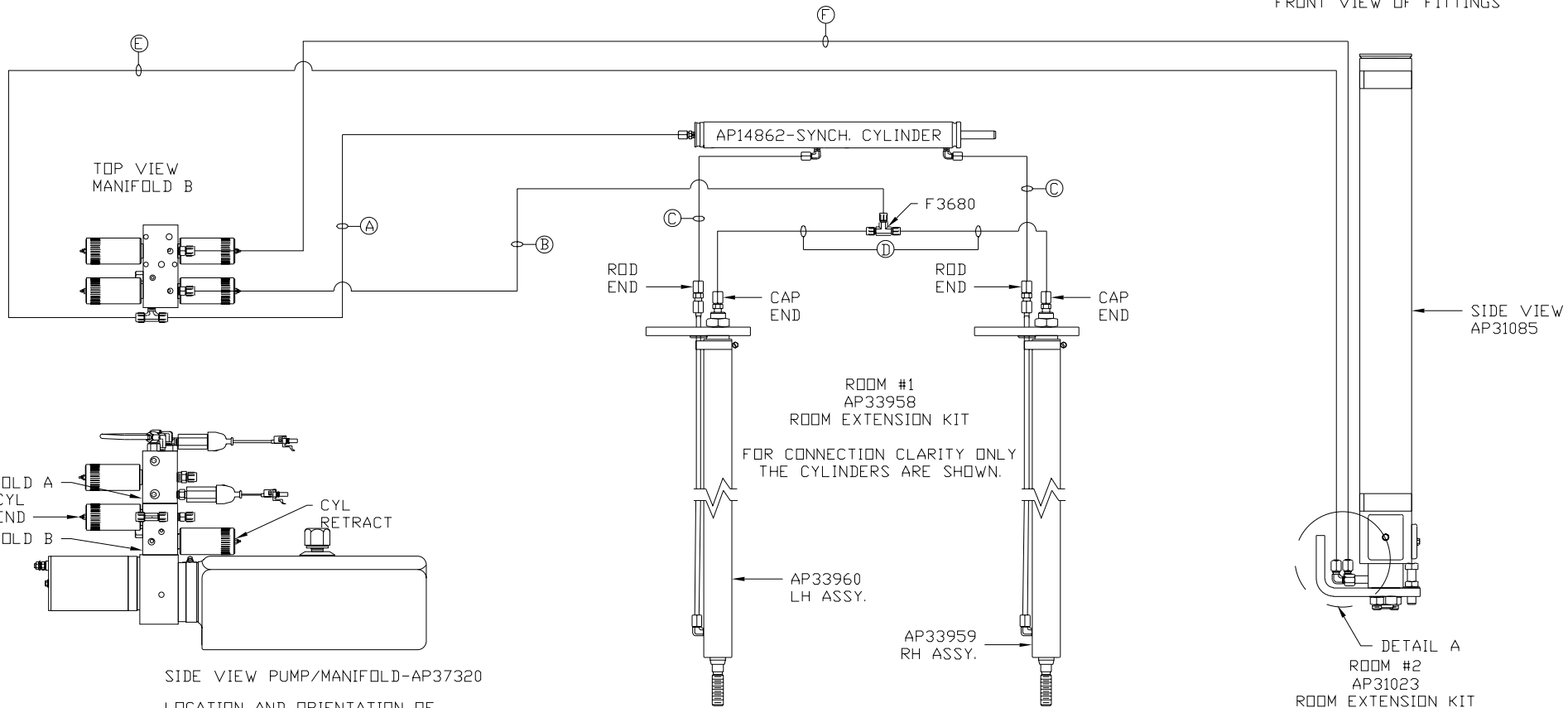
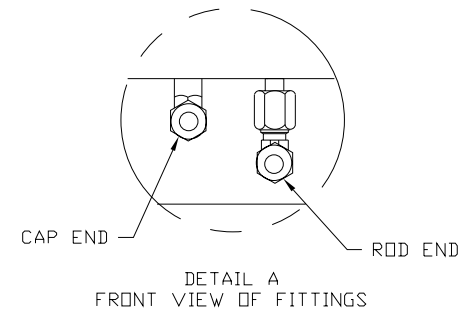
DRAWING NUMBER
MP69534 A/B

ORIENTATION

← FRONT

- Ⓐ AP6116 HOSE ASSY .25" x 240"
ROD END - ALWAYS PRESSURIZED
- Ⓑ AP7385 HOSE ASSY .25" x 252"
CAP END
- Ⓒ AP24641 HOSE ASSY HWH02HP x 114"
ROD END - ALWAYS PRESSURIZED - MUST BE HIGH PRESSURE
HOSES OF EQUAL LENGTH AND DIAMETER
- Ⓓ AP4161 HOSE ASSY .25" x 120"
CAP END - MUST MAINTAIN EQUAL LENGTH AND DIAMETER

- Ⓔ AP6116 HOSE ASSY .25" x 240"
ROD END - ALWAYS PRESSURIZED
- Ⓕ AP7385 HOSE ASSY .25" x 252"
CAP END



LOCATION AND ORIENTATION OF
PUMP/MANIFOLD ASSEMBLY WILL
DIFFER DEPENDING UPON O.E.M.