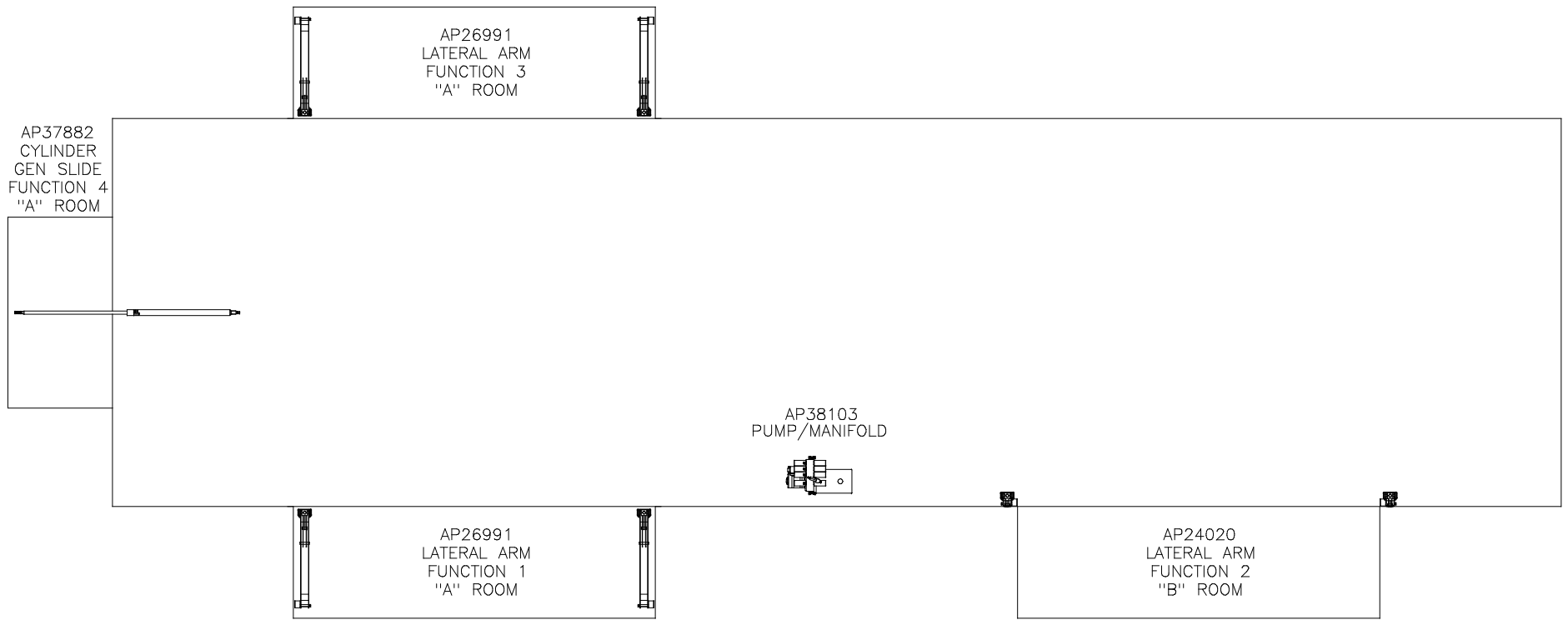


ORIENTATION  
 ← FRONT

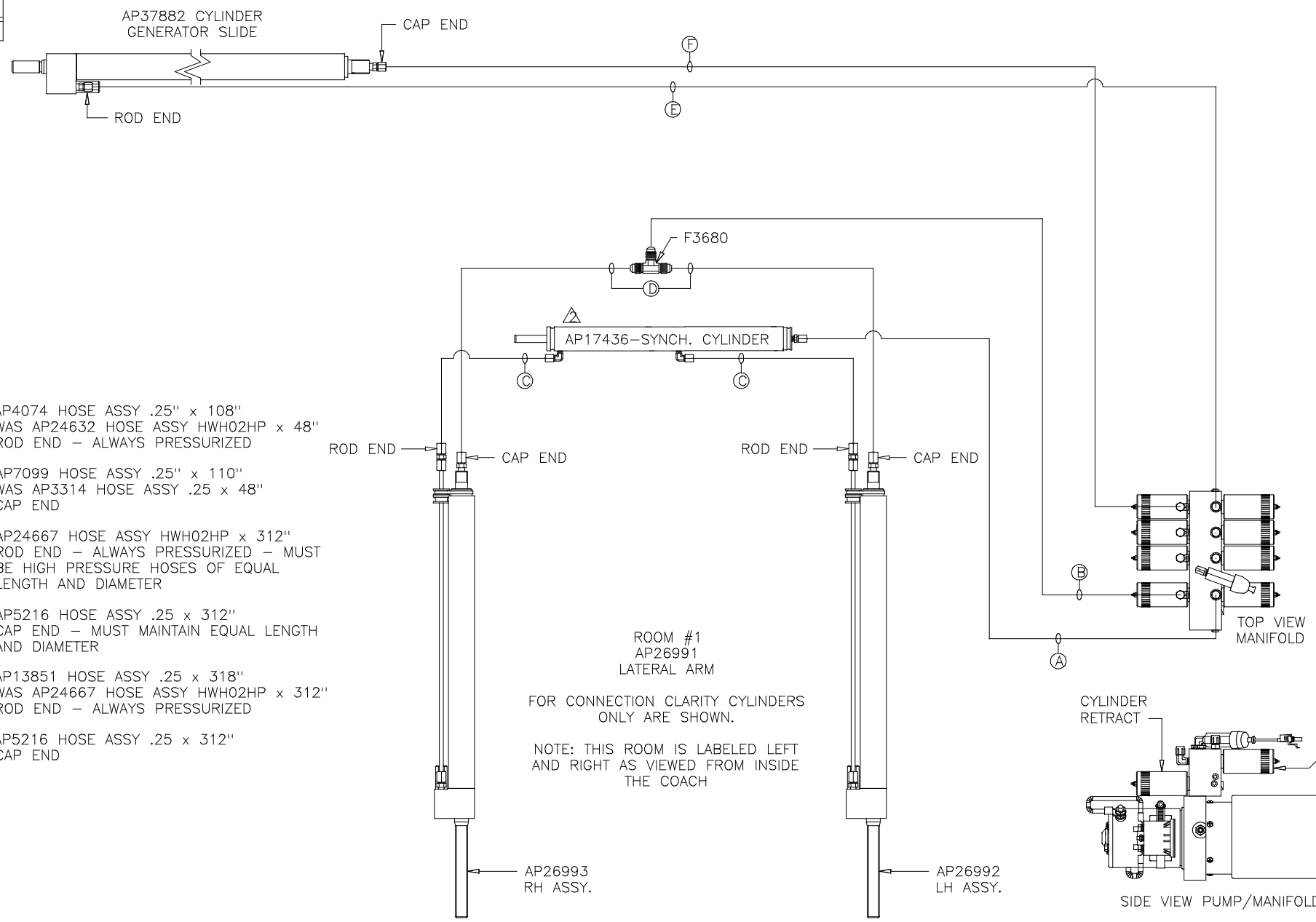


NOTE: INSTALLATION MUST CONFORM TO GOOD SHOP PRACTICES, SAE STANDARDS, RVIA STANDARDS, AND OTHER APPLICABLE STANDARDS.

LEVELING SYSTEM: AP37800

			HWH I-80 EXIT 267 SOUTH RT 1 MOSCOW, IOWA 52760		
			SCALE 1:6	DATE 17APR06	DRAWN BY .
△	30SEP13	WAS AP13192	HYD CONN DIAGRAM		
1	16SEP13	UP'D HOSES, PUMP WAS AP34209			
NO.	DATE	REVISION			
THE INFORMATION DISCLOSED ON THIS DRAWING IS CONFIDENTIAL AND MUST NOT BE DISCLOSED OR USED IN ANY MANNER WHICH WILL BE DETRIMENTAL TO THE HWH CORPORATION			FORETRAVEL		DRAWING NUMBER MP69576 A/D

ORIENTATION  
 ← FRONT

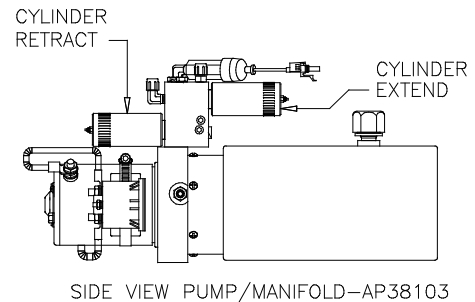


- Ⓐ AP4074 HOSE ASSY .25" x 108"  
 WAS AP24632 HOSE ASSY HWH02HP x 48"  
 ROD END - ALWAYS PRESSURIZED
- Ⓑ AP7099 HOSE ASSY .25" x 110"  
 WAS AP3314 HOSE ASSY .25 x 48"  
 CAP END
- Ⓒ AP24667 HOSE ASSY HWH02HP x 312"  
 ROD END - ALWAYS PRESSURIZED - MUST  
 BE HIGH PRESSURE HOSES OF EQUAL  
 LENGTH AND DIAMETER
- Ⓓ AP5216 HOSE ASSY .25 x 312"  
 CAP END - MUST MAINTAIN EQUAL LENGTH  
 AND DIAMETER
- Ⓔ AP13851 HOSE ASSY .25 x 318"  
 WAS AP24667 HOSE ASSY HWH02HP x 312"  
 ROD END - ALWAYS PRESSURIZED
- Ⓕ AP5216 HOSE ASSY .25 x 312"  
 CAP END

ROOM #1  
 AP26991  
 LATERAL ARM

FOR CONNECTION CLARITY CYLINDERS  
 ONLY ARE SHOWN.

NOTE: THIS ROOM IS LABELED LEFT  
 AND RIGHT AS VIEWED FROM INSIDE  
 THE COACH

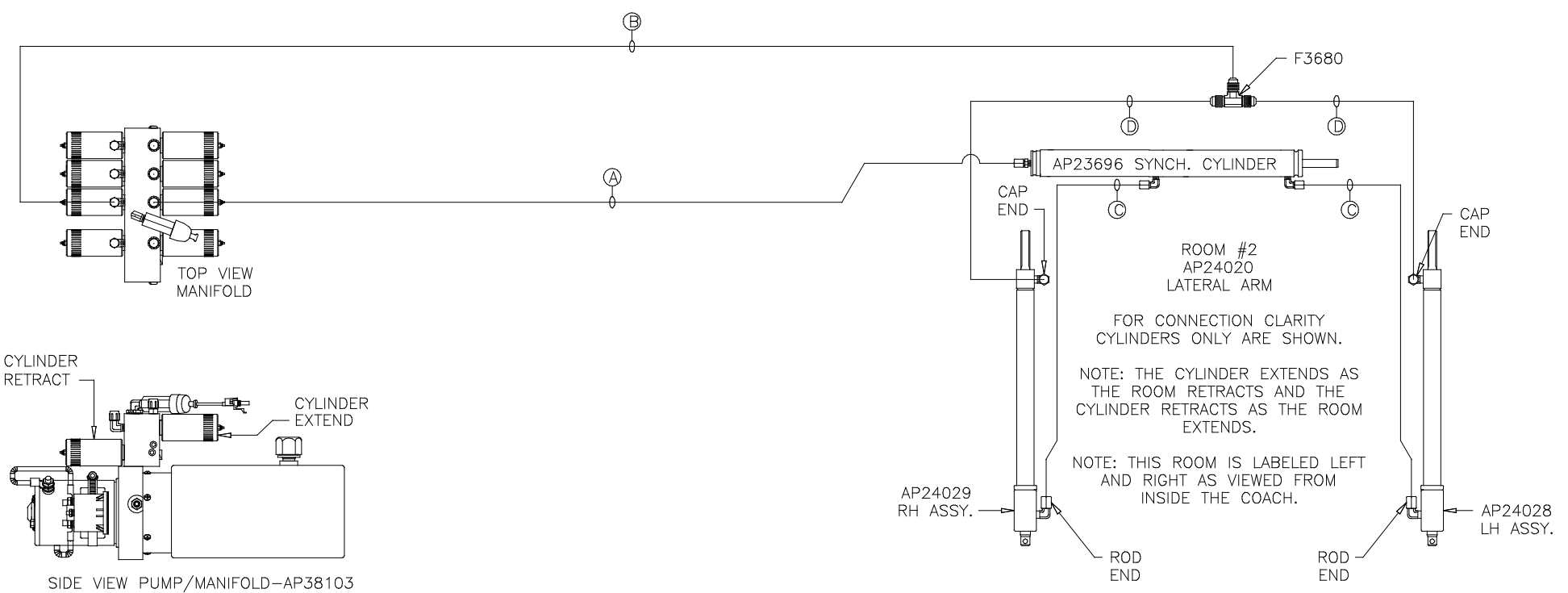


NOTE: INSTALLATION MUST CONFORM TO GOOD SHOP PRACTICES, SAE STANDARDS, RVIA STANDARDS, AND OTHER APPLICABLE STANDARDS.

ORIENTATION  
 ← FRONT

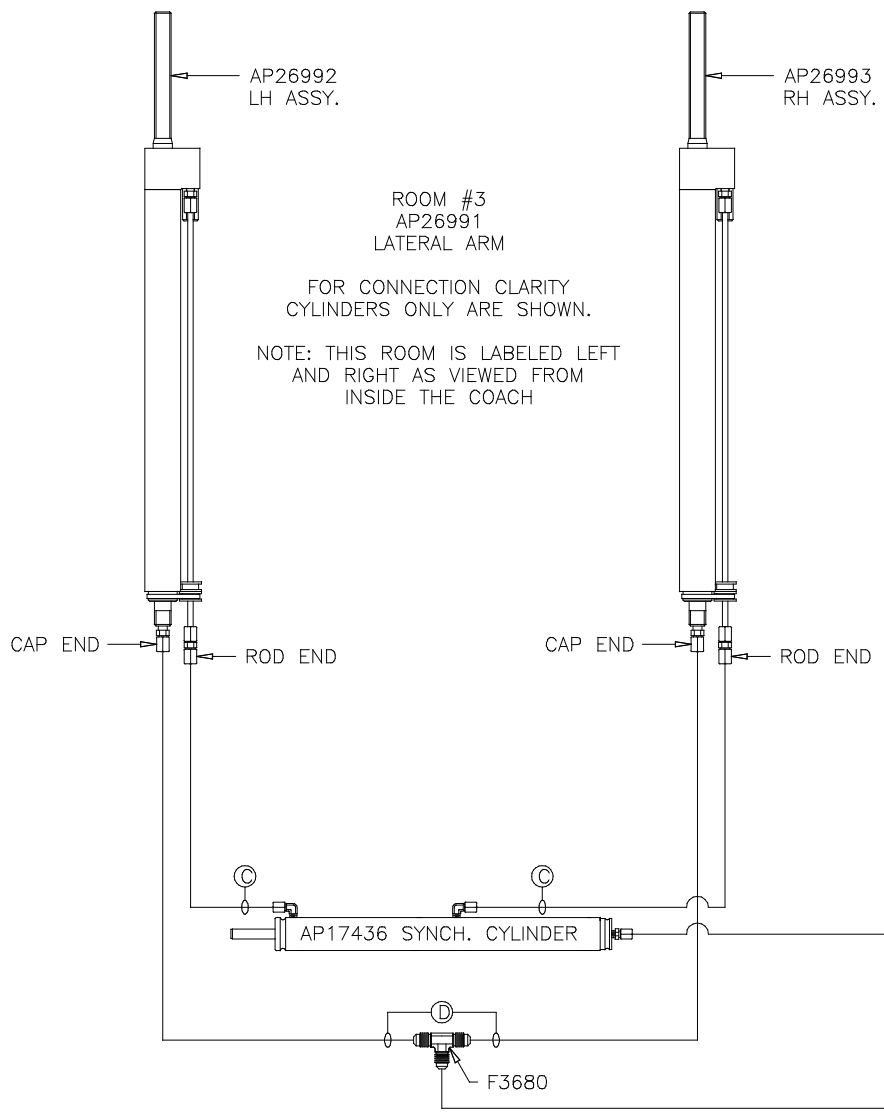
NOTE: HOSES ③ AND ④ ARE INCLUDED WITH THE ROOM EXTENSION MECHANISM

- ① AP4064 HOSE ASSY .25 x 300"  
 WAS AP24666 HOSE ASSY HWH02HP x 300"  
 ROD END - ALWAYS PRESSURIZED
- ② AP4904 HOSE ASSY .25 x 306"  
 WAS AP4064 HOSE ASSY .25 x 300"  
 CAP END
- ③ AP24632 HOSE ASSY HWH02HP x 48"  
 ROD END - ALWAYS PRESSURIZED - MUST BE HIGH PRESSURE HOSES OF EQUAL LENGTH AND DIAMETER
- ④ AP24632 HOSE ASSY HWH02HP x 48"  
 CAP END - MUST MAINTAIN EQUAL LENGTH AND DIAMETER



NOTE: INSTALLATION MUST CONFORM TO GOOD SHOP PRACTICES, SAE STANDARDS, RVIA STANDARDS, AND OTHER APPLICABLE STANDARDS.

ORIENTATION  
 ← FRONT

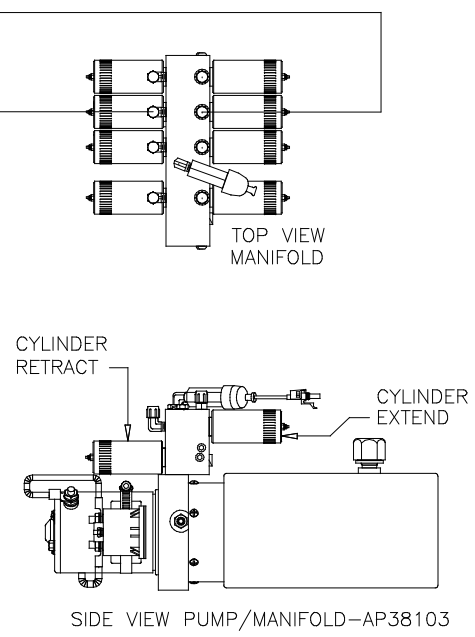


ROOM #3  
 AP26991  
 LATERAL ARM

FOR CONNECTION CLARITY  
 CYLINDERS ONLY ARE SHOWN.

NOTE: THIS ROOM IS LABELED LEFT  
 AND RIGHT AS VIEWED FROM  
 INSIDE THE COACH

- Ⓐ AP4074 HOSE ASSY .25" x 108"  
 WAS AP24632 HOSE ASSY HWH02HP x 48"  
 ROD END - ALWAYS PRESSURIZED
- Ⓑ AP7099 HOSE ASSY .25" x 110"  
 WAS AP3314 HOSE ASSY .25 x 48"  
 CAP END
- Ⓒ AP24667 HOSE ASSY HWH02HP x 312"  
 ROD END - ALWAYS PRESSURIZED - MUST  
 BE HIGH PRESSURE HOSES OF EQUAL  
 LENGTH AND DIAMETER
- Ⓓ AP5216 HOSE ASSY .25 x 312"  
 CAP END - MUST MAINTAIN EQUAL LENGTH  
 AND DIAMETER



NOTE: INSTALLATION MUST CONFORM TO GOOD SHOP PRACTICES, SAE  
 STANDARDS, RVIA STANDARDS, AND OTHER APPLICABLE STANDARDS.