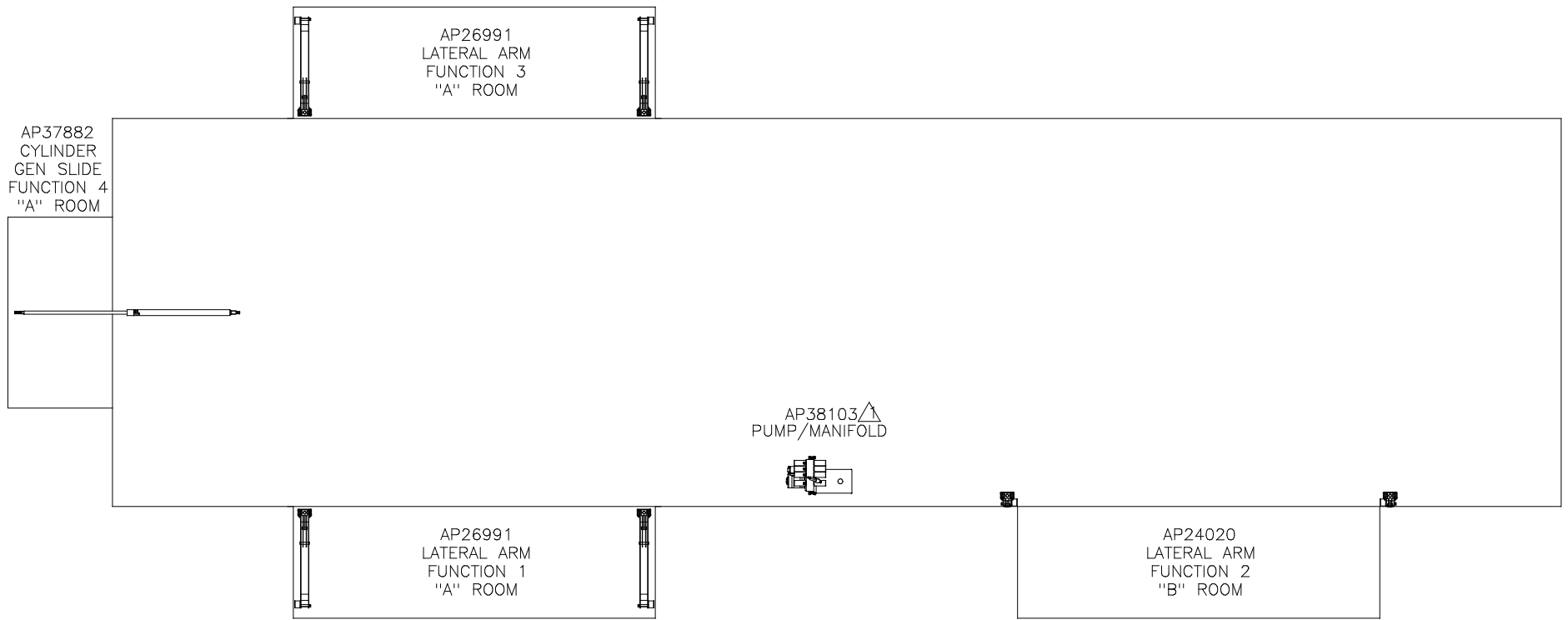


ORIENTATION
 ← FRONT



NO.	DATE	REVISION
1	30SEP13	WAS AP13192
2	20SEP13	UPDATED HOSES
3	20SEP13	WAS AP34209

HWH I-80 EXIT 267 SOUTH
 RT 1 MOSCOW, IOWA 52760

SCALE 1:6 DATE 17APR06 DRAWN BY .

HYD CONN DIAGRAM

NOTE: INSTALLATION MUST CONFORM TO GOOD SHOP PRACTICES, SAE STANDARDS, RVIA STANDARDS, AND OTHER APPLICABLE STANDARDS.

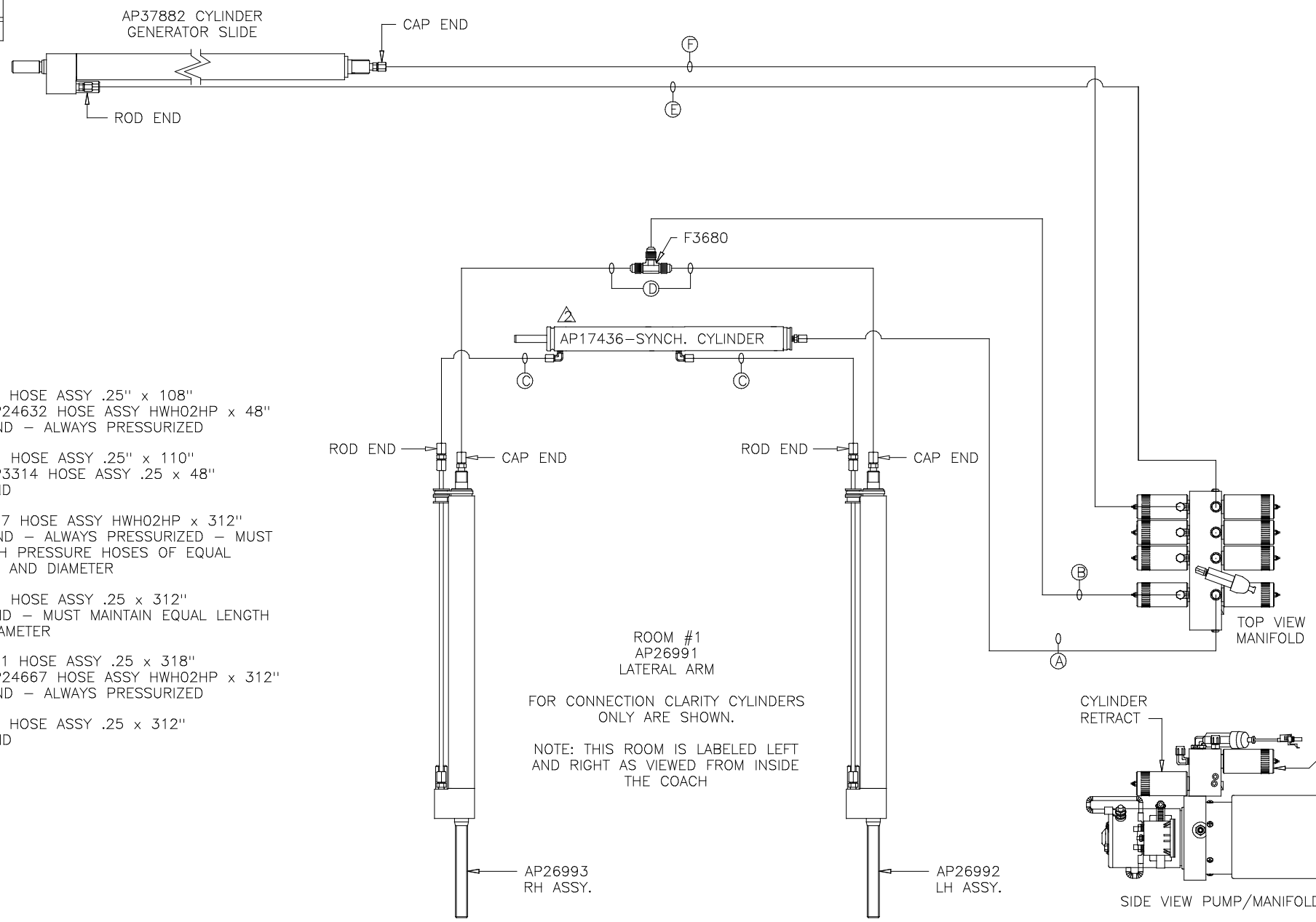
LEVELING SYSTEM: AP37804

THE INFORMATION DISCLOSED ON THIS DRAWING IS CONFIDENTIAL AND MUST NOT BE DISCLOSED OR USED IN ANY MANNER WHICH WILL BE DETRIMENTAL TO THE HWH CORPORATION

FORETRAVEL

DRAWING NUMBER
 MP69578 A/D

ORIENTATION
 ← FRONT

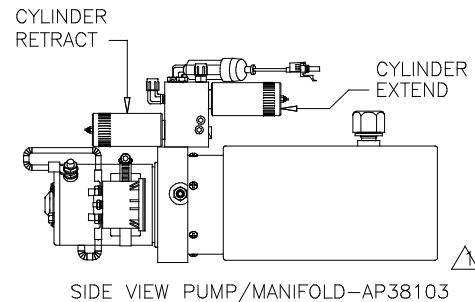


- (A) AP4074 HOSE ASSY .25" x 108"
 WAS AP24632 HOSE ASSY HWH02HP x 48"
 ROD END - ALWAYS PRESSURIZED
- (B) AP7099 HOSE ASSY .25" x 110"
 WAS AP3314 HOSE ASSY .25 x 48"
 CAP END
- (C) AP24667 HOSE ASSY HWH02HP x 312"
 ROD END - ALWAYS PRESSURIZED - MUST
 BE HIGH PRESSURE HOSES OF EQUAL
 LENGTH AND DIAMETER
- (D) AP5216 HOSE ASSY .25 x 312"
 CAP END - MUST MAINTAIN EQUAL LENGTH
 AND DIAMETER
- (E) AP13851 HOSE ASSY .25 x 318"
 WAS AP24667 HOSE ASSY HWH02HP x 312"
 ROD END - ALWAYS PRESSURIZED
- (F) AP5216 HOSE ASSY .25 x 312"
 CAP END

ROOM #1
 AP26991
 LATERAL ARM

FOR CONNECTION CLARITY CYLINDERS
 ONLY ARE SHOWN.

NOTE: THIS ROOM IS LABELED LEFT
 AND RIGHT AS VIEWED FROM INSIDE
 THE COACH

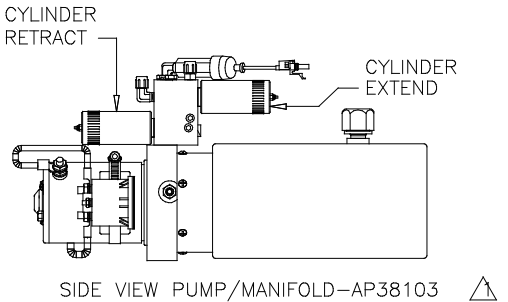
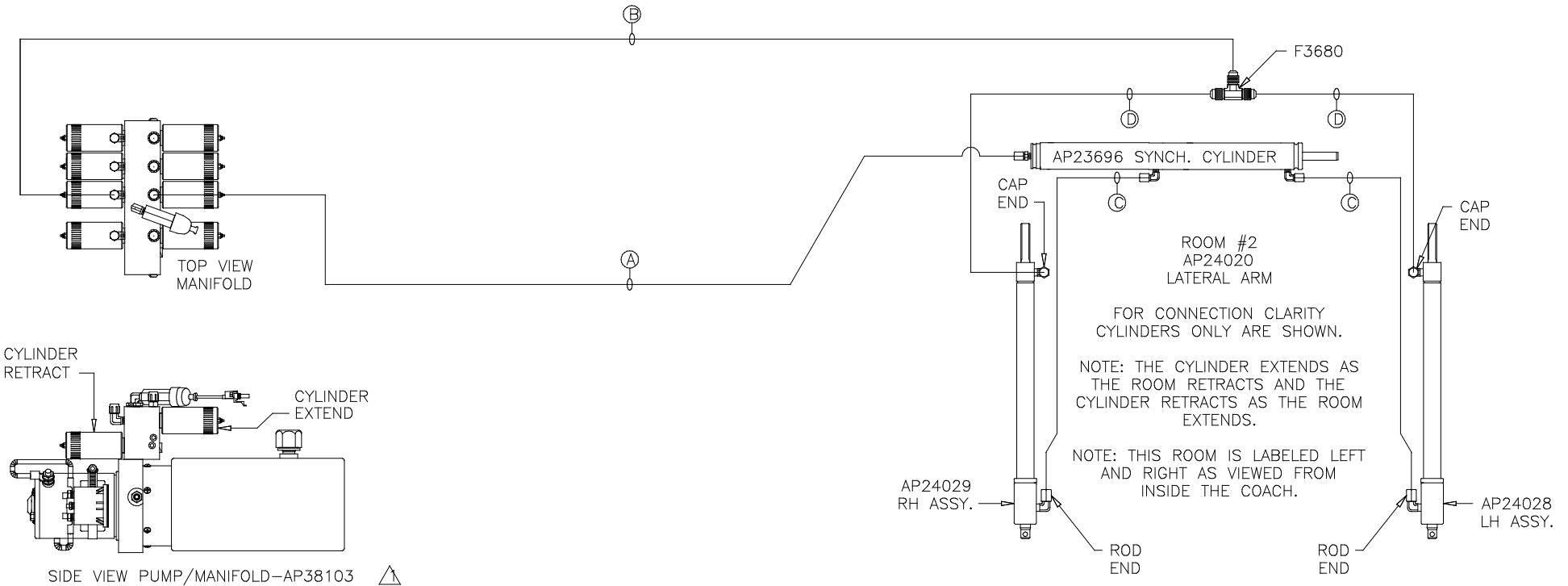


NOTE: INSTALLATION MUST CONFORM TO GOOD SHOP PRACTICES, SAE STANDARDS, RVIA STANDARDS, AND OTHER APPLICABLE STANDARDS.

ORIENTATION
 ← FRONT

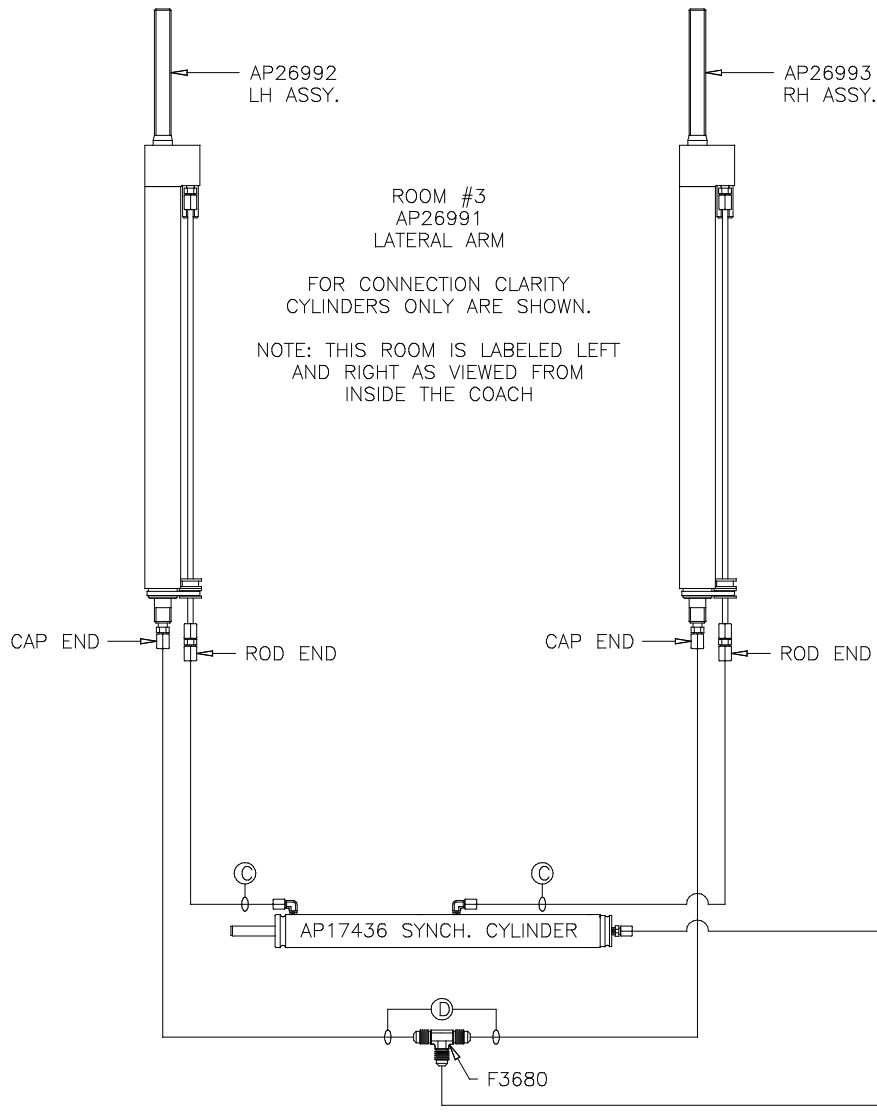
NOTE: HOSES ③ AND ④ ARE INCLUDED WITH THE ROOM EXTENSION MECHANISM

- ① AP4064 HOSE ASSY .25 x 300"
 WAS AP24666 HOSE ASSY HWH02HP x 300"
 ROD END - ALWAYS PRESSURIZED
- ② AP4904 HOSE ASSY .25 x 306"
 WAS AP4064 HOSE ASSY .25 x 300"
 CAP END
- ③ AP24632 HOSE ASSY HWH02HP x 48"
 ROD END - ALWAYS PRESSURIZED - MUST BE HIGH PRESSURE HOSES OF EQUAL LENGTH AND DIAMETER
- ④ AP24632 HOSE ASSY HWH02HP x 48"
 CAP END - MUST MAINTAIN EQUAL LENGTH AND DIAMETER



NOTE: INSTALLATION MUST CONFORM TO GOOD SHOP PRACTICES, SAE STANDARDS, RVIA STANDARDS, AND OTHER APPLICABLE STANDARDS.

ORIENTATION
 ← FRONT

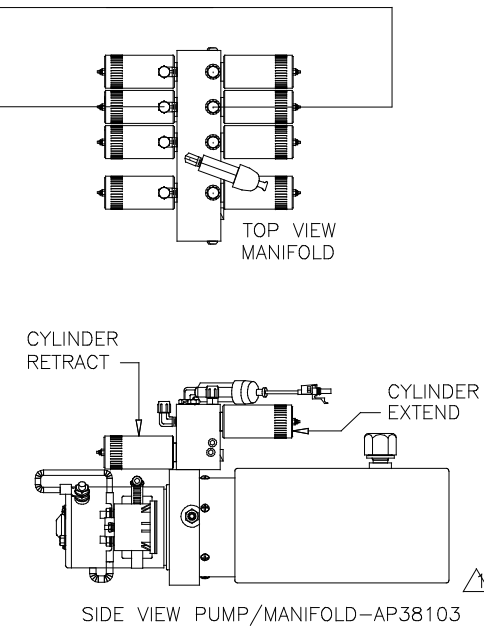


ROOM #3
 AP26991
 LATERAL ARM

FOR CONNECTION CLARITY
 CYLINDERS ONLY ARE SHOWN.

NOTE: THIS ROOM IS LABELED LEFT
 AND RIGHT AS VIEWED FROM
 INSIDE THE COACH

- Ⓐ AP4074 HOSE ASSY .25" x 108"
 WAS AP24632 HOSE ASSY HWH02HP x 48"
 ROD END - ALWAYS PRESSURIZED
- Ⓑ AP7099 HOSE ASSY .25" x 110"
 WAS AP3314 HOSE ASSY .25 x 48"
 CAP END
- Ⓒ AP24667 HOSE ASSY HWH02HP x 312"
 ROD END - ALWAYS PRESSURIZED - MUST
 BE HIGH PRESSURE HOSES OF EQUAL
 LENGTH AND DIAMETER
- Ⓓ AP5216 HOSE ASSY .25 x 312"
 CAP END - MUST MAINTAIN EQUAL LENGTH
 AND DIAMETER



NOTE: INSTALLATION MUST CONFORM TO GOOD SHOP PRACTICES, SAE
 STANDARDS, RVIA STANDARDS, AND OTHER APPLICABLE STANDARDS.