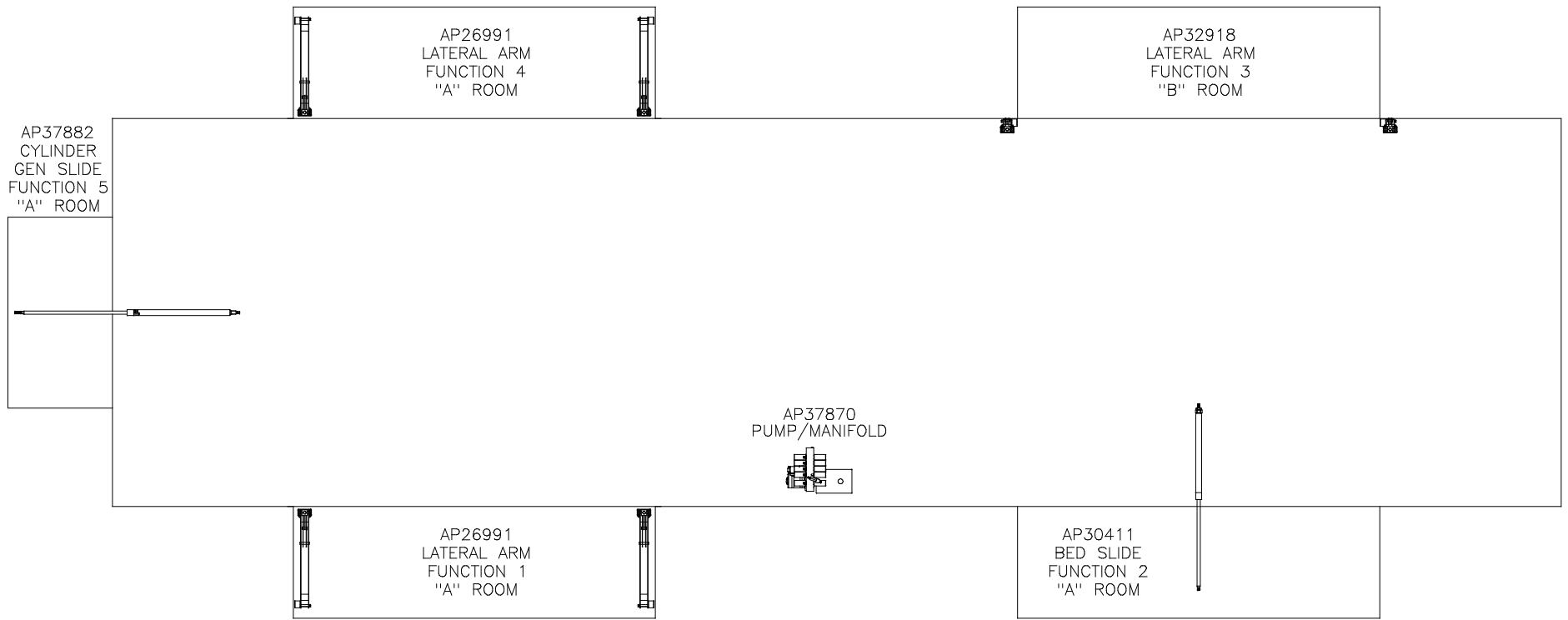


ORIENTATION
 ← FRONT



NOTE: INSTALLATION MUST CONFORM TO GOOD SHOP PRACTICES, SAE STANDARDS, RVIA STANDARDS, AND OTHER APPLICABLE STANDARDS.

LEVELING SYSTEM: AP37806

1	20SEP13	UPDATED HOSES
NO.	DATE	REVISION

HWH I-80 EXIT 267 SOUTH
 RT 1 MOSCOW, IOWA 52760
 SCALE 1:6 DATE 17APR06 DRAWN BY .

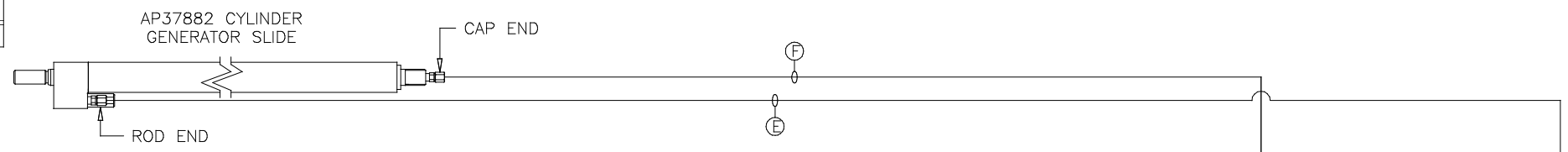
HYD CONN DIAGRAM

THE INFORMATION DISCLOSED ON THIS DRAWING IS CONFIDENTIAL AND MUST NOT BE DISCLOSED OR USED IN ANY MANNER WHICH WILL BE DETRIMENTAL TO THE HWH CORPORATION

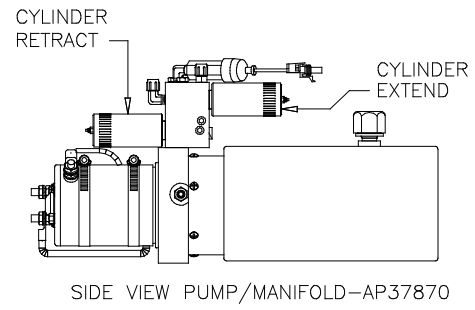
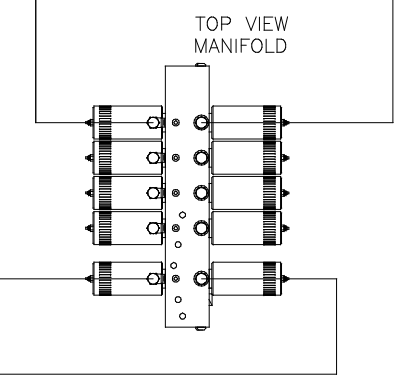
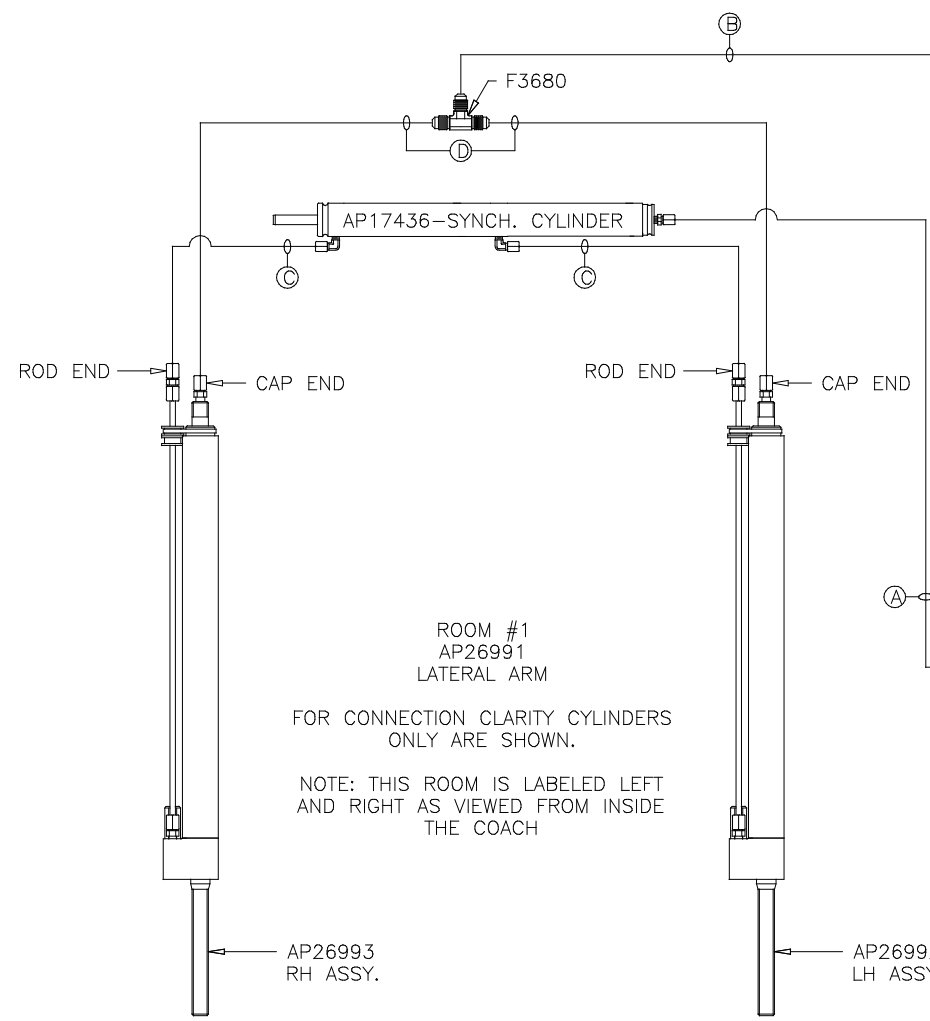
FORETRAVEL

DRAWING NUMBER
 MP69579 A/E

ORIENTATION
 ← FRONT



- (A) AP4074 HOSE ASSY .25" x 108"
 WAS AP24632 HOSE ASSY HWH02HP x 48"
 ROD END - ALWAYS PRESSURIZED
- (B) AP7099 HOSE ASSY .25" x 110"
 WAS AP3314 HOSE ASSY .25 x 48"
 CAP END
- (C) AP24667 HOSE ASSY HWH02HP x 312"
 ROD END - ALWAYS PRESSURIZED - MUST
 BE HIGH PRESSURE HOSES OF EQUAL
 LENGTH AND DIAMETER
- (D) AP5216 HOSE ASSY .25 x 312"
 CAP END - MUST MAINTAIN EQUAL LENGTH
 AND DIAMETER
- (E) AP13851 HOSE ASSY .25 x 318"
 WAS AP24667 HOSE ASSY HWH02HP x 312"
 ROD END - ALWAYS PRESSURIZED
- (F) AP5216 HOSE ASSY .25 x 312"
 CAP END

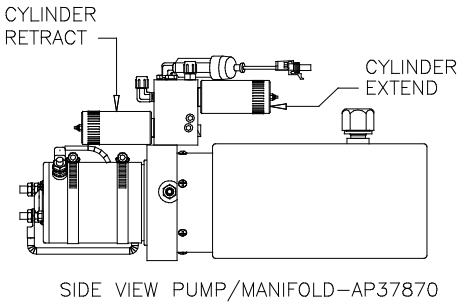
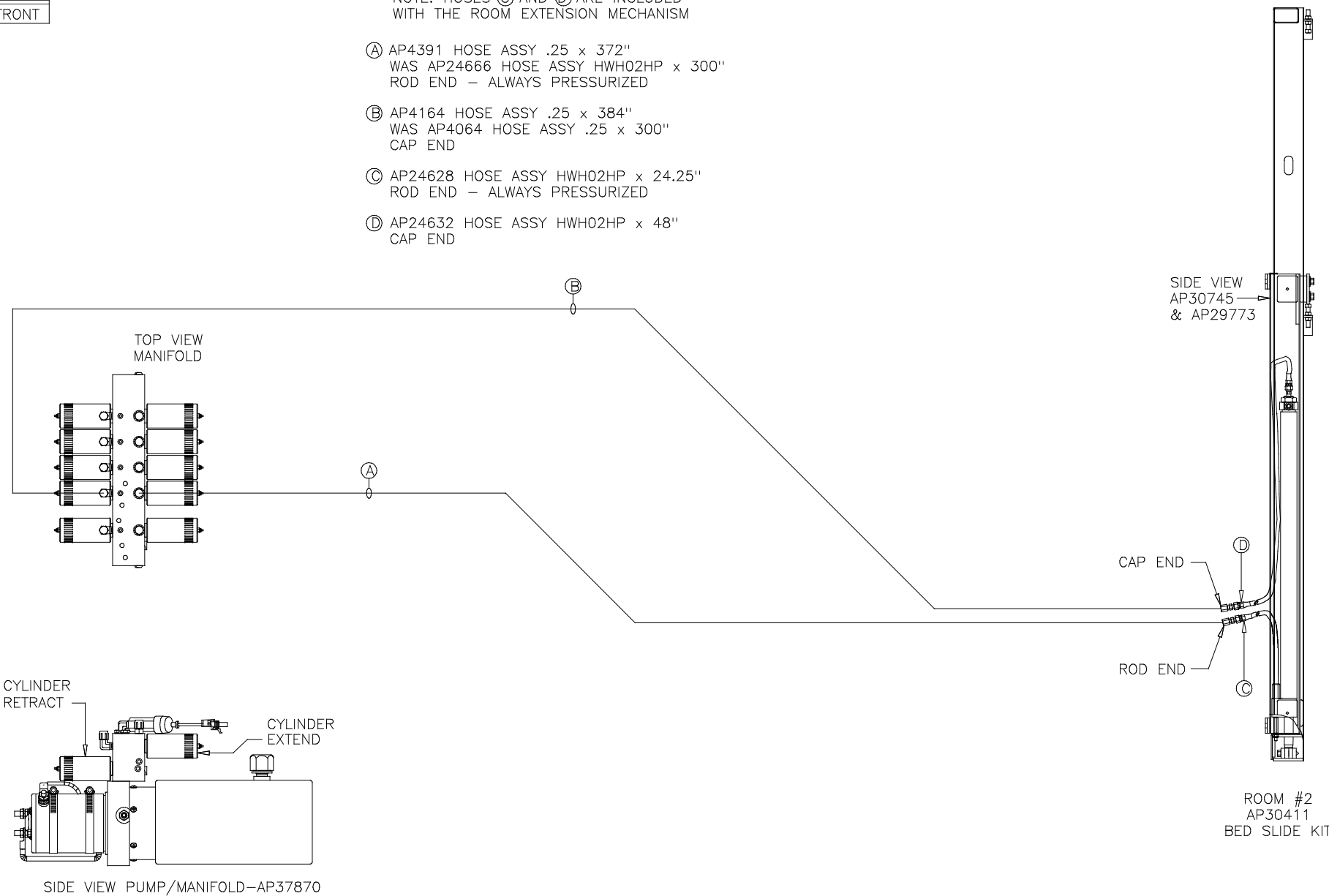


NOTE: INSTALLATION MUST CONFORM TO GOOD SHOP PRACTICES, SAE STANDARDS, RVIA STANDARDS, AND OTHER APPLICABLE STANDARDS.

ORIENTATION
← FRONT

NOTE: HOSES ③ AND ④ ARE INCLUDED WITH THE ROOM EXTENSION MECHANISM

- ① AP4391 HOSE ASSY .25 x 372"
WAS AP24666 HOSE ASSY HWH02HP x 300"
ROD END - ALWAYS PRESSURIZED
- ② AP4164 HOSE ASSY .25 x 384"
WAS AP4064 HOSE ASSY .25 x 300"
CAP END
- ③ AP24628 HOSE ASSY HWH02HP x 24.25"
ROD END - ALWAYS PRESSURIZED
- ④ AP24632 HOSE ASSY HWH02HP x 48"
CAP END



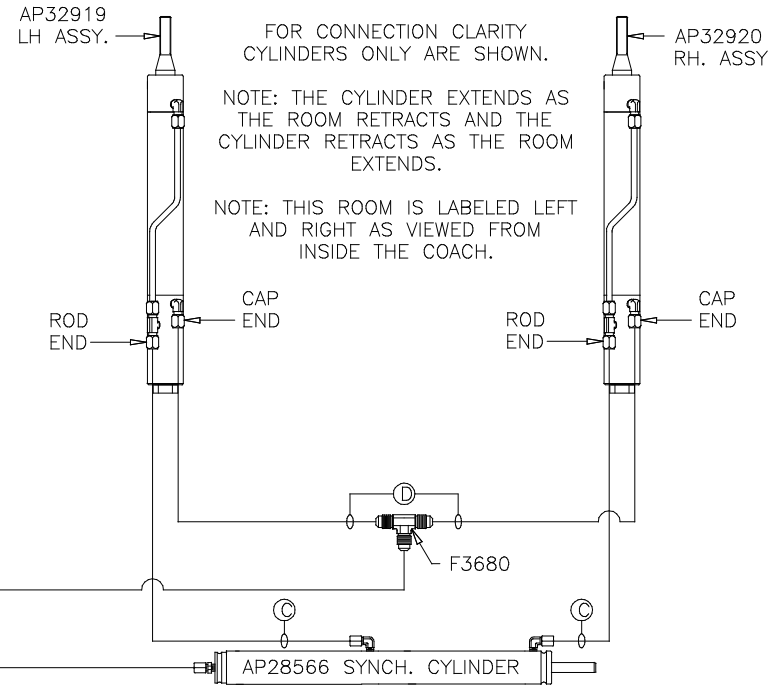
SIDE VIEW PUMP/MANIFOLD-AP37870

ROOM #2
AP30411
BED SLIDE KIT

NOTE: INSTALLATION MUST CONFORM TO GOOD SHOP PRACTICES, SAE STANDARDS, RVIA STANDARDS, AND OTHER APPLICABLE STANDARDS.

ORIENTATION
 ← FRONT

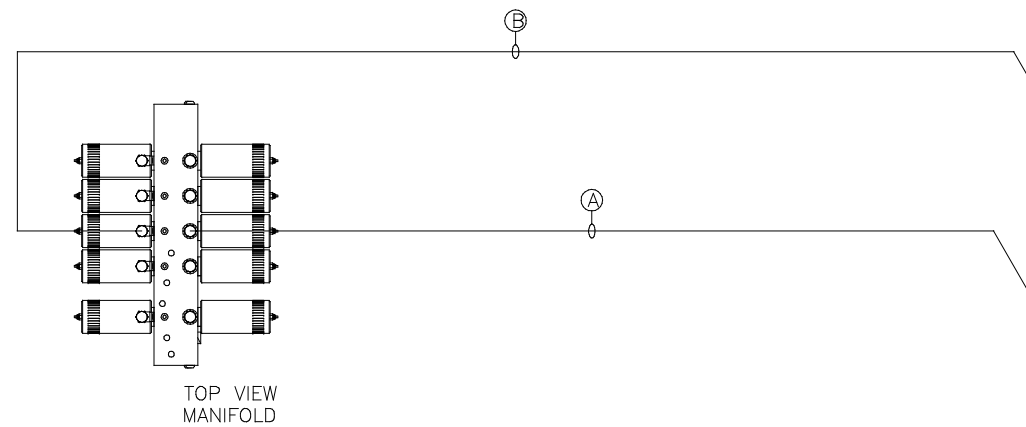
ROOM #3
 AP32918
 LATERAL ARM



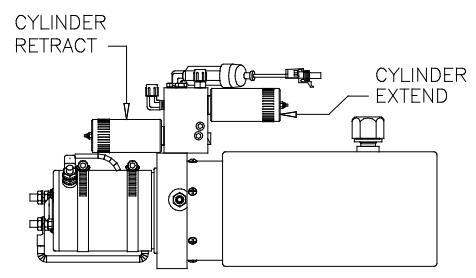
FOR CONNECTION CLARITY
 CYLINDERS ONLY ARE SHOWN.

NOTE: THE CYLINDER EXTENDS AS
 THE ROOM RETRACTS AND THE
 CYLINDER RETRACTS AS THE ROOM
 EXTENDS.

NOTE: THIS ROOM IS LABELED LEFT
 AND RIGHT AS VIEWED FROM
 INSIDE THE COACH.



TOP VIEW
 MANIFOLD



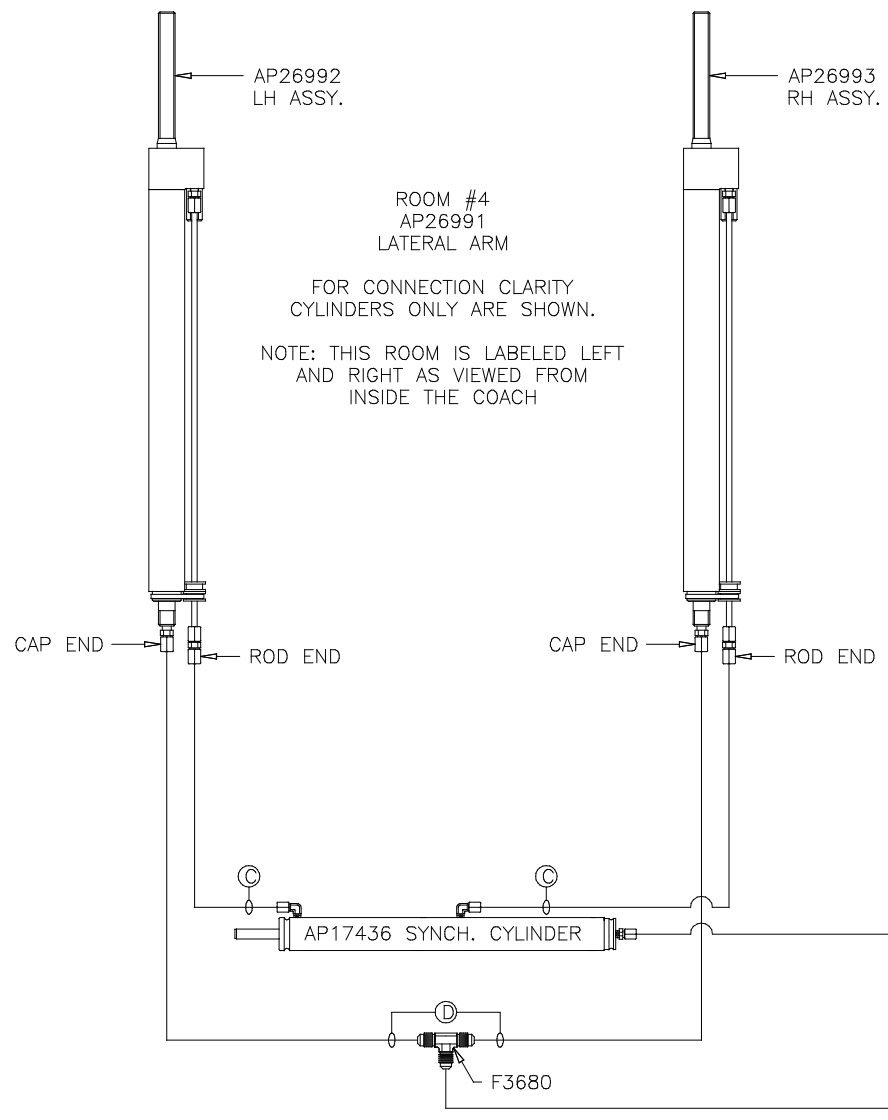
SIDE VIEW PUMP/MANIFOLD-AP37870

NOTE: HOSES C AND D ARE INCLUDED
 WITH THE ROOM EXTENSION MECHANISM

- A AP4064 HOSE ASSY .25 x 300"
 WAS AP24672 HOSE ASSY HWH02HP x 372"
 ROD END - ALWAYS PRESSURIZED
- B AP4904 HOSE ASSY .25 x 306"
 WAS AP4391 HOSE ASSY .25 x 372"
 CAP END
- C AP24633 HOSE ASSY HWH02HP x 54"
 ROD END - ALWAYS PRESSURIZED - MUST
 BE HIGH PRESSURE HOSES OF EQUAL
 LENGTH AND DIAMETER
- D AP24634 HOSE ASSY .25 x 60"
 CAP END - MUST MAINTAIN EQUAL LENGTH
 AND DIAMETER

NOTE: INSTALLATION MUST CONFORM TO GOOD SHOP PRACTICES, SAE
 STANDARDS, RVIA STANDARDS, AND OTHER APPLICABLE STANDARDS.

ORIENTATION
 ← FRONT

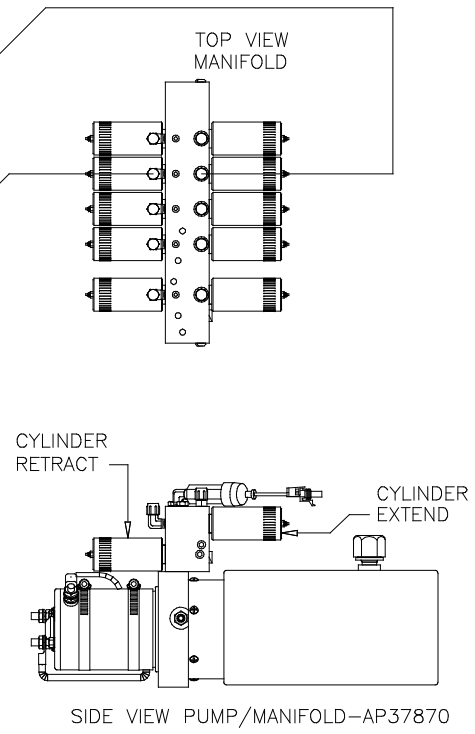


ROOM #4
 AP26991
 LATERAL ARM

FOR CONNECTION CLARITY
 CYLINDERS ONLY ARE SHOWN.

NOTE: THIS ROOM IS LABELED LEFT
 AND RIGHT AS VIEWED FROM
 INSIDE THE COACH

- Ⓐ AP4074 HOSE ASSY .25" x 108"
 WAS AP24632 HOSE ASSY HWH02HP x 48"
 ROD END - ALWAYS PRESSURIZED
- Ⓑ AP7099 HOSE ASSY .25" x 110"
 WAS AP3314 HOSE ASSY .25 x 48"
 CAP END
- Ⓒ AP24667 HOSE ASSY HWH02HP x 312"
 ROD END - ALWAYS PRESSURIZED - MUST
 BE HIGH PRESSURE HOSES OF EQUAL
 LENGTH AND DIAMETER
- Ⓓ AP5216 HOSE ASSY .25 x 312"
 CAP END - MUST MAINTAIN EQUAL LENGTH
 AND DIAMETER



NOTE: INSTALLATION MUST CONFORM TO GOOD SHOP PRACTICES, SAE STANDARDS, RVIA STANDARDS, AND OTHER APPLICABLE STANDARDS.