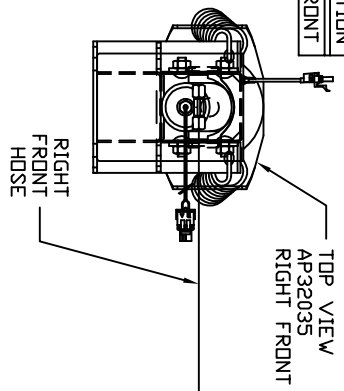
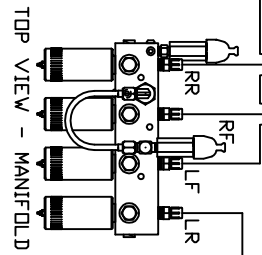
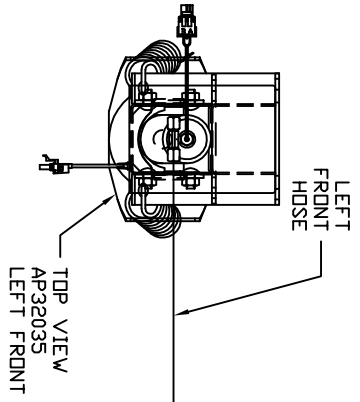


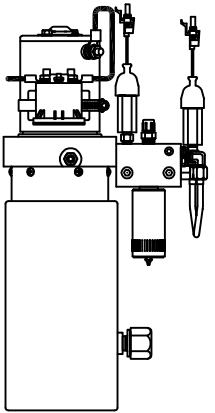
ORIENTATION
FRONT



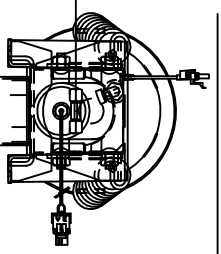
NOTE: CROSS TIE REQUIRED FOR FRONT JACKS



SIDE VIEW OF PUMP/MANIFOLD-AP32350

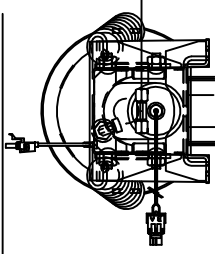


RIGHT REAR HOSE



TOP VIEW AP31983 REAR JACKS AP34674 JACK KIT

LEFT REAR HOSE



FORD CHASSIS - SHELL WITH NO ROOMS

MODEL	HOSE KIT	LF HOSE	RF HOSE	RR HOSE	LR HOSE
F38S	AP32130	AP4073	AP7832	AP2464	AP4064

NOTE: INSTALLATION MUST CONFORM TO GOOD SHOP PRACTICES, SAE STANDARDS, RVIA STANDARDS, AND OTHER APPLICABLE STANDARDS.

LEVELING SYSTEM: AP38129

2	09APR07	ADDED INSTALLATION NOTE	WAS AP32351
1	09APR07	DATE	REVISION

SCALE	DATE	DATE	DRAWN BY
1:6	26 JUN 06		
HWH 1-80 EXIT 267 SOUTH RT 1 MOSCOW, IOWA 52760			
HYD CONN DIAGRAM			
WINNEBAGO			DRAWING NUMBER
			MP69618

THE INFORMATION DISCLOSED ON THIS DRAWING IS CONFIDENTIAL AND MUST NOT BE DISCLOSED OR USED IN ANY MANNER WHICH WILL BE DETRIMENTAL TO THE HWH CORPORATION