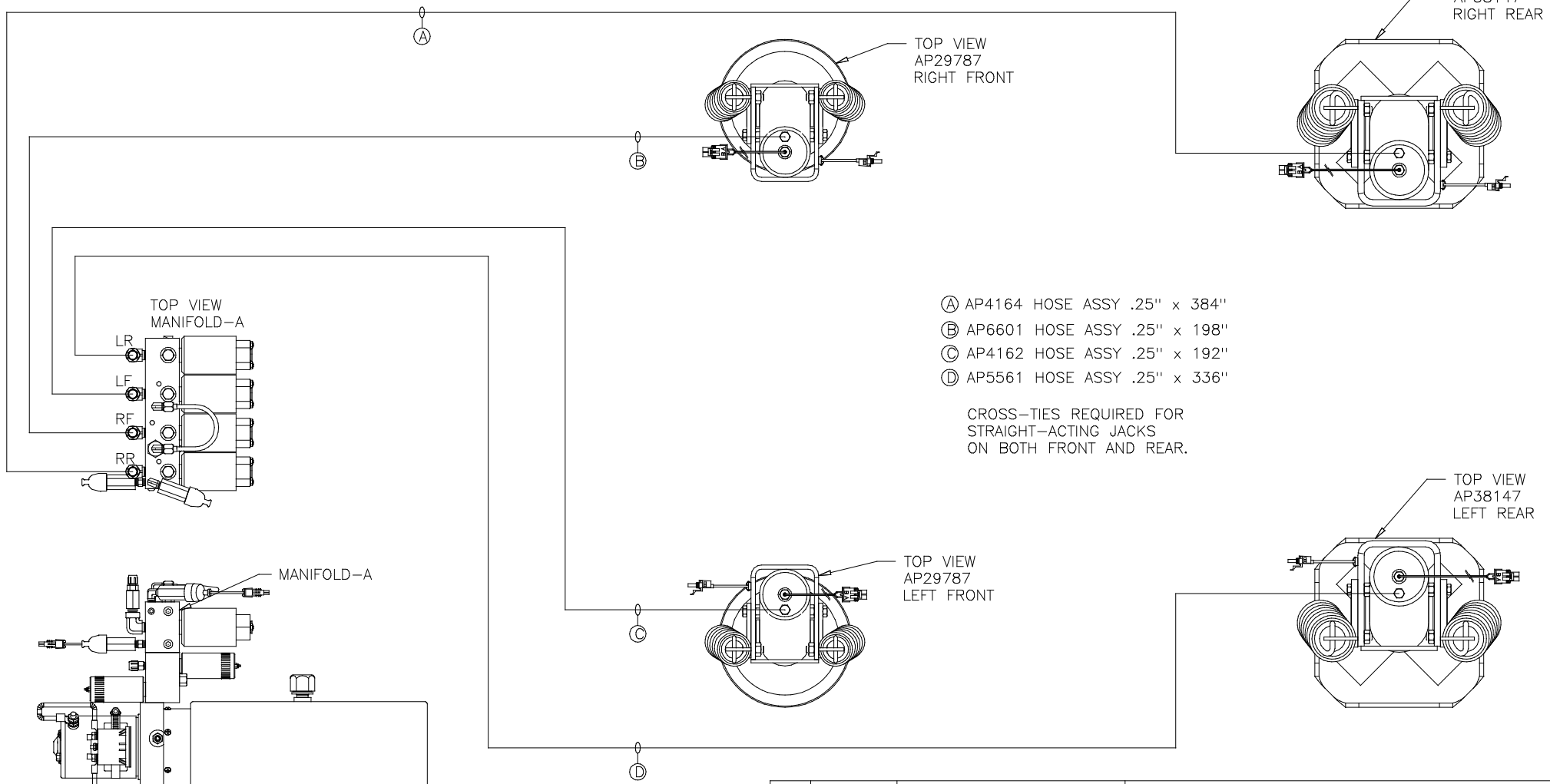
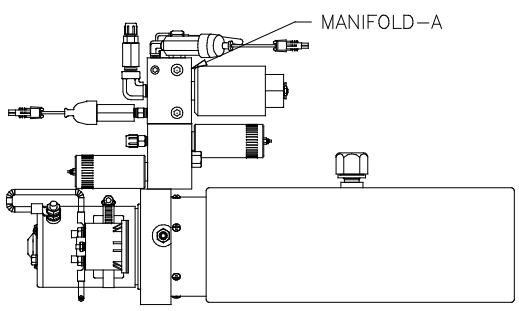


ORIENTATION
← FRONT



- Ⓐ AP4164 HOSE ASSY .25" x 384"
- Ⓑ AP6601 HOSE ASSY .25" x 198"
- Ⓒ AP4162 HOSE ASSY .25" x 192"
- Ⓓ AP5561 HOSE ASSY .25" x 336"

CROSS-TIES REQUIRED FOR STRAIGHT-ACTING JACKS ON BOTH FRONT AND REAR.



SIDE VIEW PUMP/MANIFOLD-AP38510

LOCATION AND ORIENTATION OF PUMP/MANIFOLD ASSEMBLY WILL DIFFER DEPENDING UPON O.E.M.

NOTE: INSTALLATION MUST CONFORM TO GOOD SHOP PRACTICES, SAE STANDARDS, RVIA STANDARDS, AND OTHER APPLICABLE STANDARDS.

LEVELING SYSTEM: AP39677

1	10APR07	ADDED INSTALLATION NOTE
NO.	DATE	REVISION

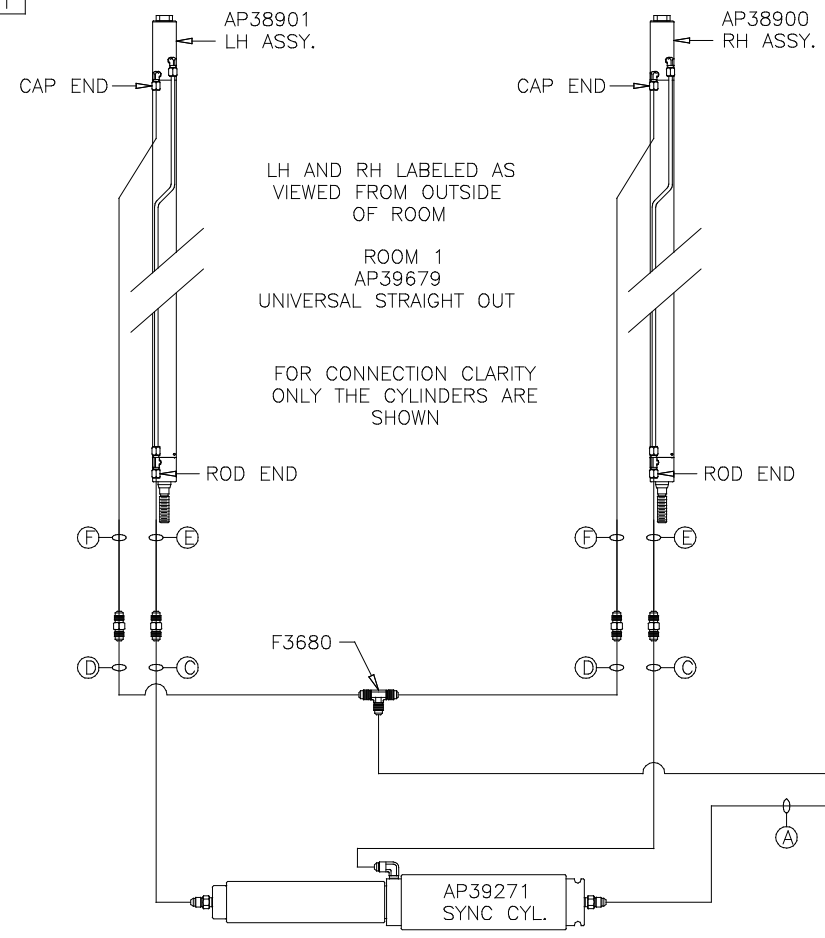
THE INFORMATION DISCLOSED ON THIS DRAWING IS CONFIDENTIAL AND MUST NOT BE DISCLOSED OR USED IN ANY MANNER WHICH WILL BE DETRIMENTAL TO THE HWH CORPORATION

HWH 1-80 EXIT 267 SOUTH
RT 1 MOSCOW, IOWA 52760
SCALE 1:6 DATE 12DEC06 DRAWN BY .

HYD CONN DIAGRAM

OBS, INC. DRAWING NUMBER MP69712 A/B

ORIENTATION
 ← FRONT



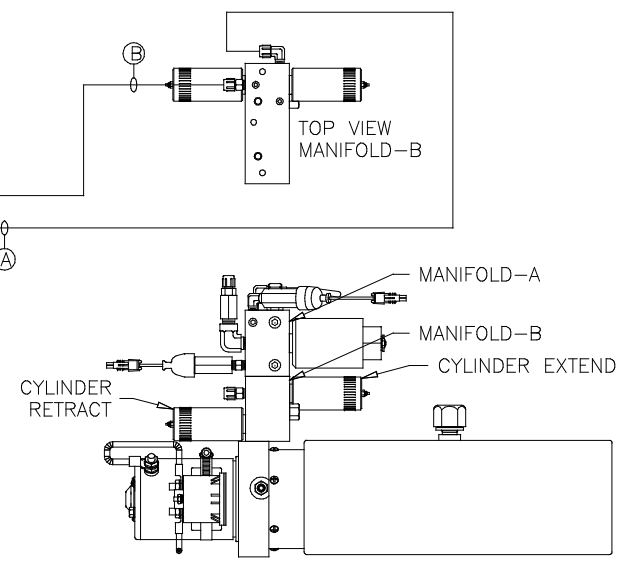
LH AND RH LABELED AS VIEWED FROM OUTSIDE OF ROOM

ROOM 1
 AP39679
 UNIVERSAL STRAIGHT OUT

FOR CONNECTION CLARITY ONLY THE CYLINDERS ARE SHOWN

NOTE: HOSES (E) AND (F) ARE INCLUDED WITH THE ROOM EXTENSION MECHANISM. ALL OTHER HOSES ARE OEM PROVIDED.

- (A) ROD END - ALWAYS PRESSURIZED
- (B) CAP END
- (C) ROD END - ALWAYS PRESSURIZED
 HOSES MUST BE HIGH PRESSURE
 HOSES OF EQUAL LENGTH AND DIAMETER
- (D) CAP END - HOSES MUST MAINTAIN
 EQUAL LENGTH AND DIAMETER
- (E) AP24632 HOSE ASSY HWH02HP X 48"
 ROD END - ALWAYS PRESSURIZED - MUST
 BE HIGH PRESSURE HOSES OF EQUAL
 LENGTH AND DIAMETER
- (F) AP24818 HOSE ASSY HWH02HP X 86"
 CAP END - MUST MAINTAIN EQUAL LENGTH
 AND DIAMETER



SIDE VIEW PUMP/MANIFOLD-AP38510

LOCATION AND ORIENTATION OF PUMP/MANIFOLD ASSEMBLY WILL DIFFER DEPENDING UPON O.E.M.

NOTE: INSTALLATION MUST CONFORM TO GOOD SHOP PRACTICES, SAE STANDARDS, RVIA STANDARDS, AND OTHER APPLICABLE STANDARDS.