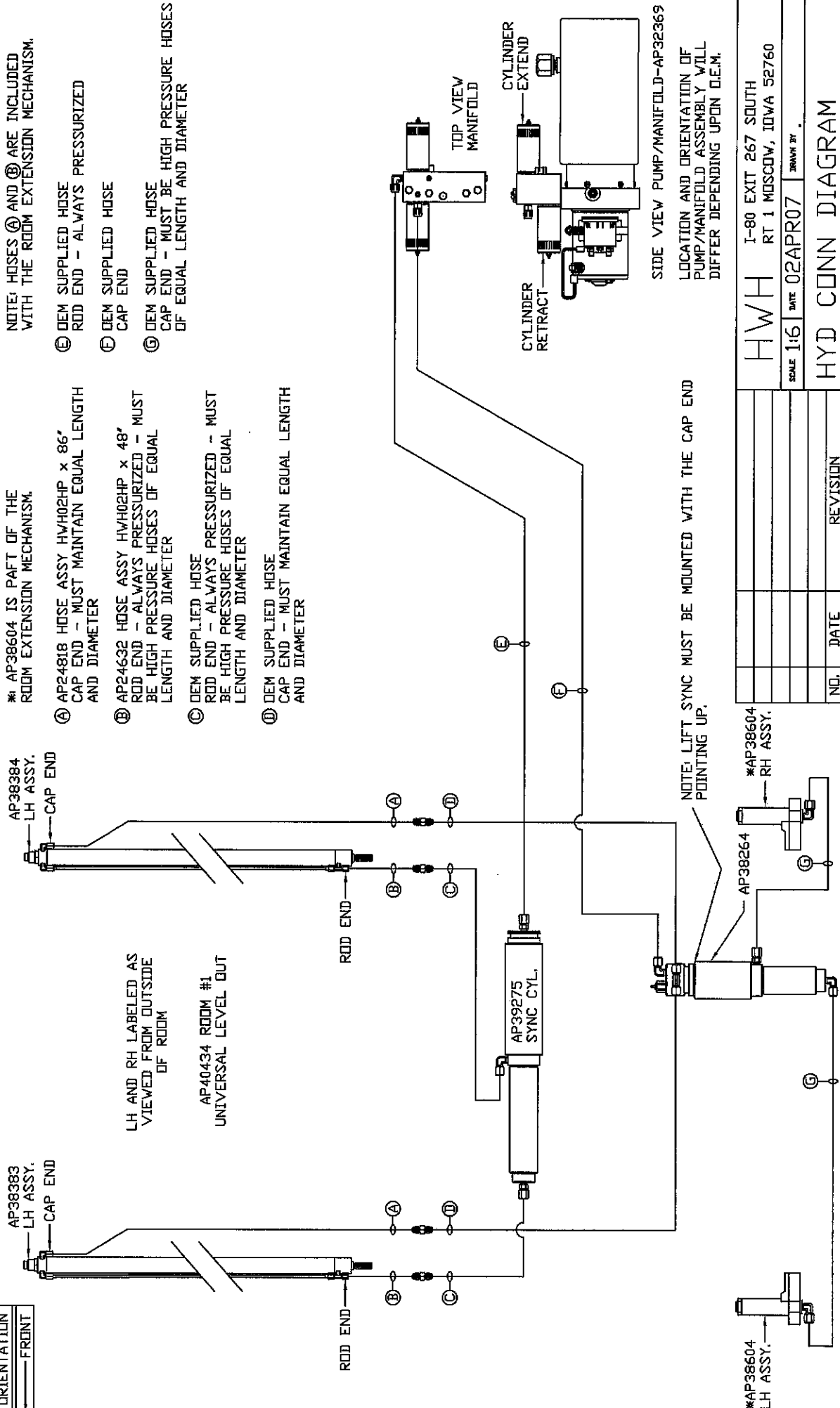


ORIENTATION
FRONT



* AP38604 IS PART OF THE ROOM EXTENSION MECHANISM.

- (A) AP24818 HOSE ASSY HW/H02HP x 86" CAP END - MUST MAINTAIN EQUAL LENGTH AND DIAMETER
- (B) AP24632 HOSE ASSY HW/H02HP x 48" ROD END - ALWAYS PRESSURIZED - MUST BE HIGH PRESSURE HOSES OF EQUAL LENGTH AND DIAMETER
- (C) DEM SUPPLIED HOSE ROD END - ALWAYS PRESSURIZED - MUST BE HIGH PRESSURE HOSES OF EQUAL LENGTH AND DIAMETER
- (D) DEM SUPPLIED HOSE CAP END - MUST MAINTAIN EQUAL LENGTH AND DIAMETER

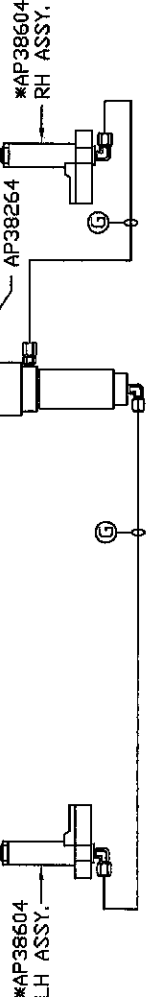
NOTE: HOSES (A) AND (B) ARE INCLUDED WITH THE ROOM EXTENSION MECHANISM.

- (E) DEM SUPPLIED HOSE ROD END - ALWAYS PRESSURIZED
- (F) DEM SUPPLIED HOSE CAP END
- (G) DEM SUPPLIED HOSE CAP END - MUST BE HIGH PRESSURE HOSES OF EQUAL LENGTH AND DIAMETER

NOTE: LIFT SYNC MUST BE MOUNTED WITH THE CAP END POINTING UP.

SIDE VIEW PUMP/MANIFOLD-AP32369

LOCATION AND ORIENTATION OF PUMP/MANIFOLD ASSEMBLY WILL DIFFER DEPENDING UPON O.E.M.



NO.	DATE	REVISION

HWH I-80 EXIT 267 SOUTH
RT 1 MOSCOW, IOWA 52760
SCALE 1:16 DATE 02APR07 DRAWN BY
HYD CONN DIAGRAM

NOTE: INSTALLATION MUST CONFORM TO GOOD SHOP PRACTICES, SAE STANDARDS, RVIA STANDARDS, AND OTHER APPLICABLE STANDARDS. CONTROL PACKAGE: AP40432

THE INFORMATION DISCLOSED ON THIS DRAWING IS CONFIDENTIAL AND MUST NOT BE DISCLOSED OR USED IN ANY MANNER WHICH WILL BE DETRIMENTAL TO THE HWH CORPORATION

TURN KEY IND. DRAWING NUMBER MP69791