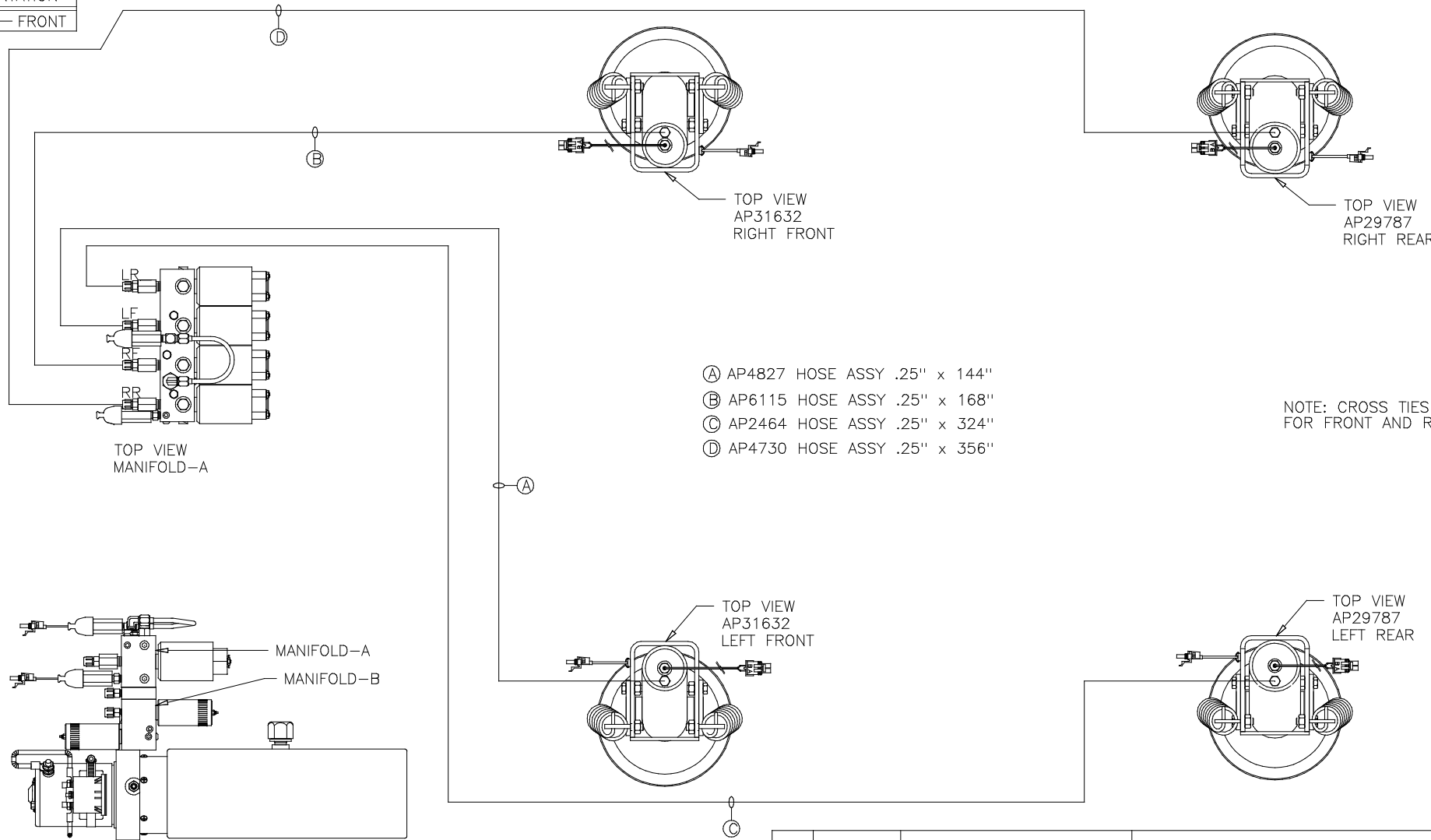
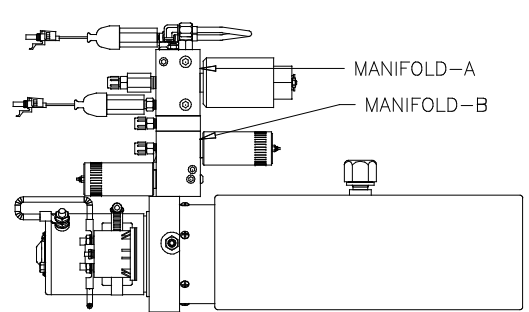


ORIENTATION
 ← FRONT



- Ⓐ AP4827 HOSE ASSY .25" x 144"
- Ⓑ AP6115 HOSE ASSY .25" x 168"
- Ⓒ AP2464 HOSE ASSY .25" x 324"
- Ⓓ AP4730 HOSE ASSY .25" x 356"

NOTE: CROSS TIES REQUIRED FOR FRONT AND REAR JACKS



SIDE VIEW PUMP/MANIFOLD-AP36694

LOCATION AND ORIENTATION OF PUMP/MANIFOLD ASSEMBLY WILL DIFFER DEPENDING UPON O.E.M.

NOTE: INSTALLATION MUST CONFORM TO GOOD SHOP PRACTICES, SAE STANDARDS, RVIA STANDARDS, AND OTHER APPLICABLE STANDARDS.

LEVELING SYSTEM: AP40569

NO.	DATE	REVISION

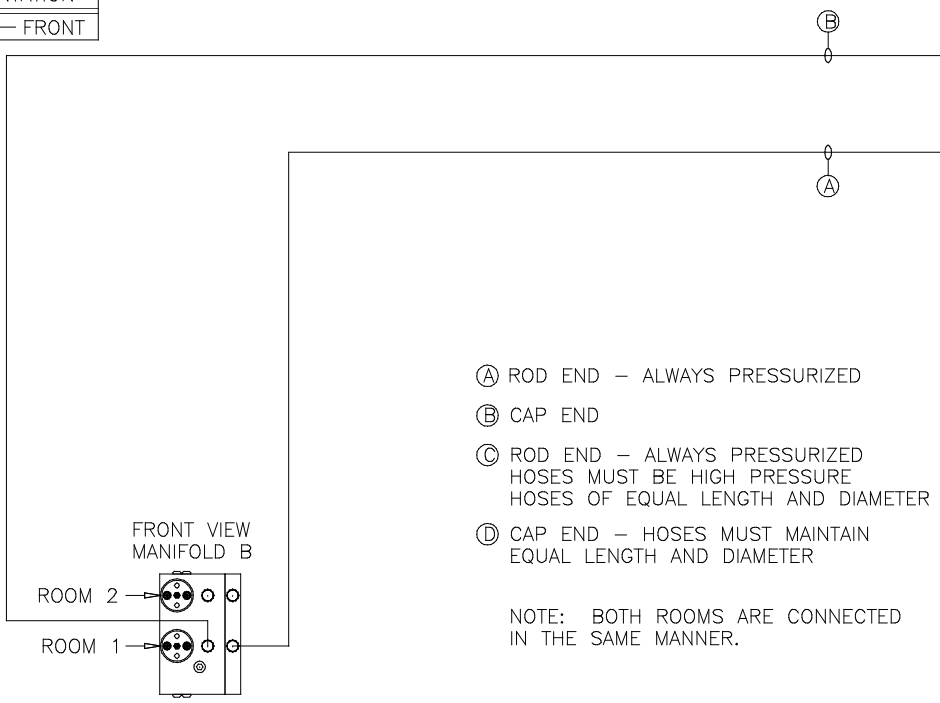
HWH 1-80 EXIT 267 SOUTH
 RT 1 MOSCOW, IOWA 52760
 SCALE 1:6 DATE 27APR07 DRAWN BY .

HYD CONN DIAGRAM

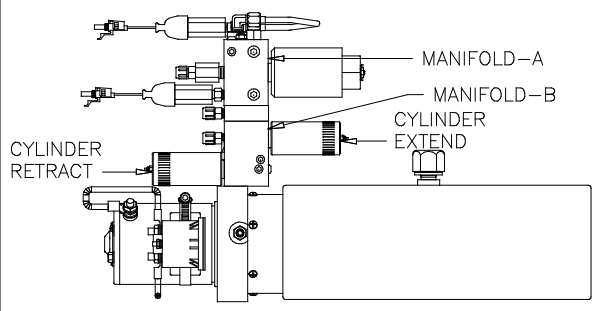
THE INFORMATION DISCLOSED ON THIS DRAWING IS CONFIDENTIAL AND MUST NOT BE DISCLOSED OR USED IN ANY MANNER WHICH WILL BE DETRIMENTAL TO THE HWH CORPORATION

WAKERLEY DRAWING NUMBER MP69807 A/B

ORIENTATION
 ← FRONT



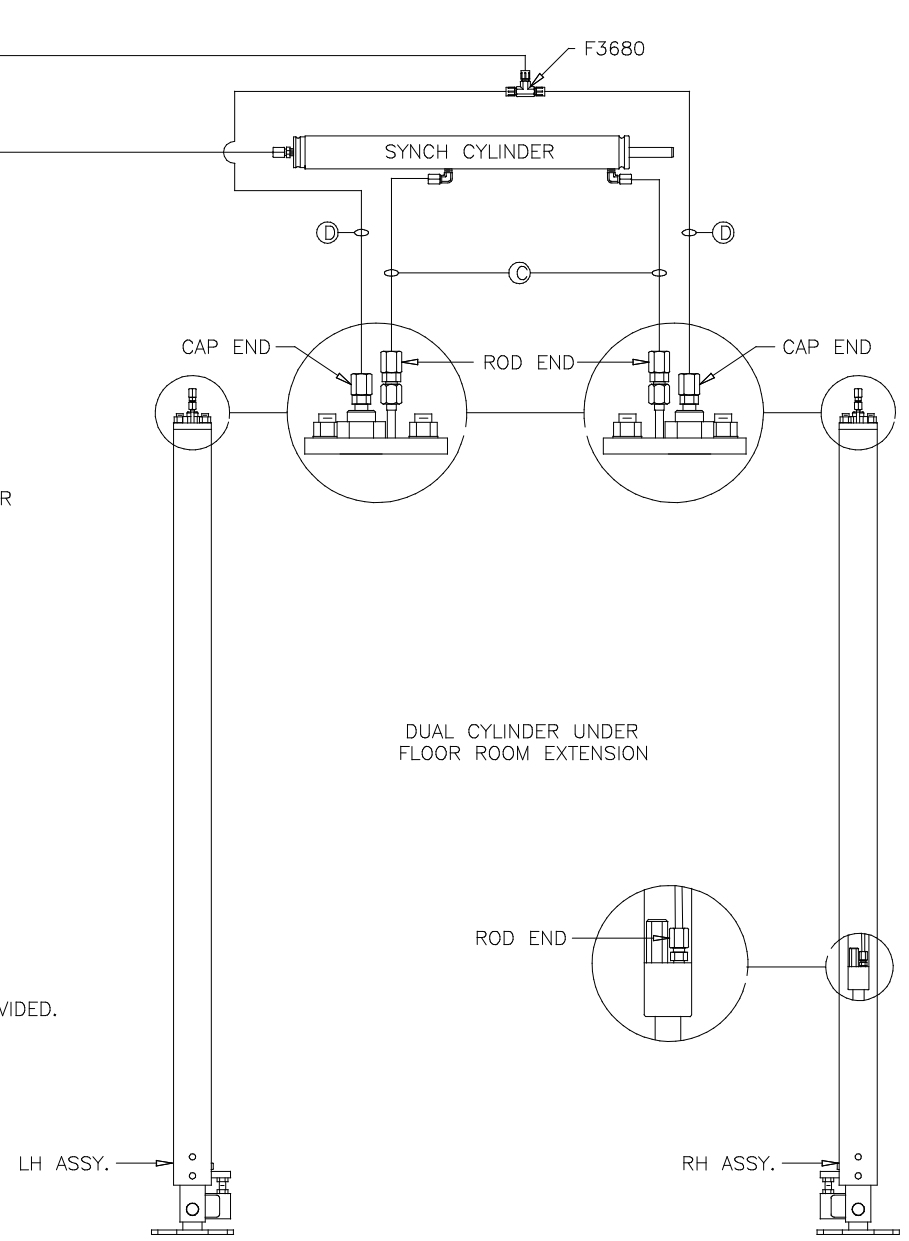
NOTE: BOTH ROOMS ARE CONNECTED
 IN THE SAME MANNER.



SIDE VIEW PUMP/MANIFOLD-AP36694

LOCATION AND ORIENTATION OF
 PUMP/MANIFOLD ASSEMBLY WILL
 DIFFER DEPENDING UPON O.E.M.

NOTE: HOSES ARE OEM PROVIDED.



NOTE: INSTALLATION MUST CONFORM TO GOOD SHOP PRACTICES, SAE
 STANDARDS, RVIA STANDARDS, AND OTHER APPLICABLE STANDARDS.