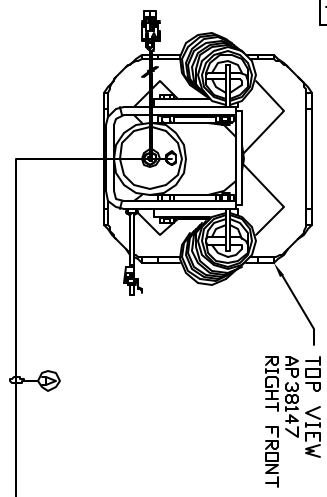
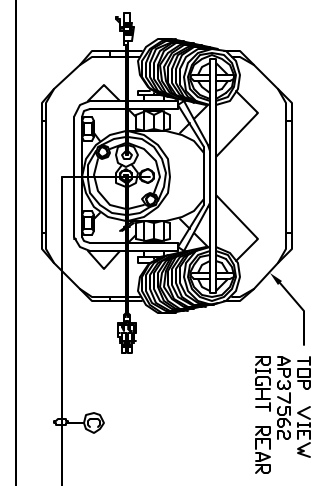


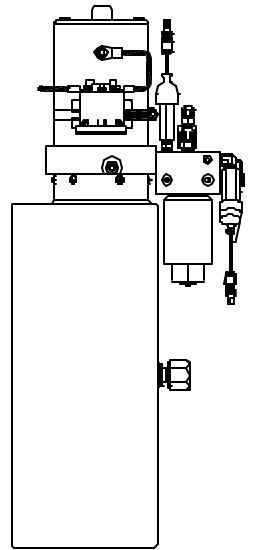
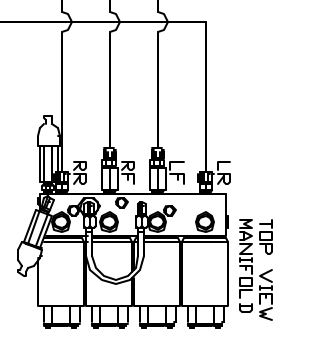
ORIENTATION
FRONT



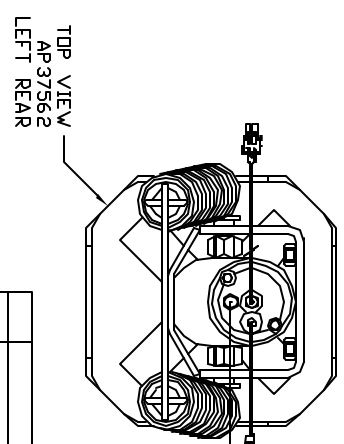
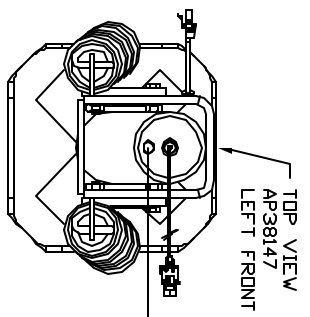
- Ⓐ AP4669 HOSE ASSY .25' x 408"
- Ⓑ AP7181 HOSE ASSY .25' x 510"
- Ⓒ AP19013 HOSE ASSY .313' x 180"
- Ⓓ AP6638 HOSE ASSY .313' x 300"



NOTE: CROSS-TIES REQUIRED FOR STRAIGHT-ACTING JACKS ON BOTH FRONT AND REAR.



LOCATION AND ORIENTATION OF PUMP/MANIFOLD ASSEMBLY WILL DIFFER DEPENDING UPON D.E.M.



NOTE: INSTALLATION MUST CONFORM TO GOOD SHOP PRACTICES, SAE STANDARDS, RVIA STANDARDS, AND OTHER APPLICABLE STANDARDS.

LEVELING SYSTEM: AP41293

NO.	DATE	REVISION

HW H	1-80 EXT 267 SOUTH
DATE 14AUG07	RT 1 MOSCOW, IOWA 52760
SCALE 1:6	DRAWN BY .
HYD CONN DIAGRAM	
CUSTOM TRUCK	
DRAWING NUMBER	MP69879

THE INFORMATION DISCLOSED IN THIS DRAWING IS CONFIDENTIAL AND MUST NOT BE DISCLOSED OR USED IN ANY MANNER WHICH WILL BE DETRIMENTAL TO THE IVM CORPORATION