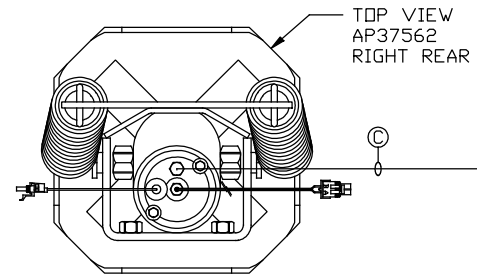
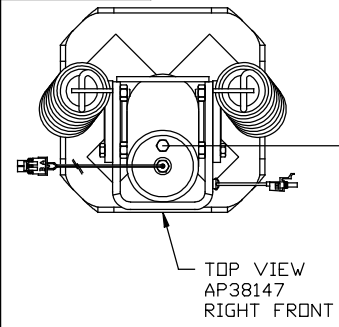
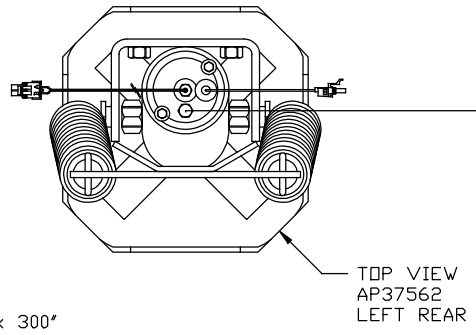
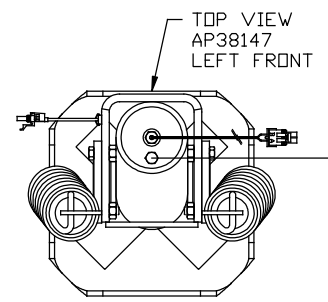
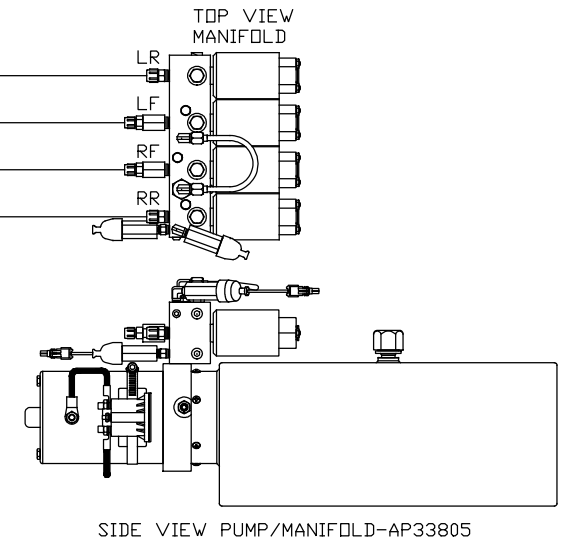


ORIENTATION

← FRONT



NOTE: CROSS-TIES REQUIRED FOR STRAIGHT-ACTING JACKS ON BOTH FRONT AND REAR.



- Ⓐ AP4064 HOSE ASSY .25" x 300"
- Ⓑ AP2465 HOSE ASSY .25" x 348"
- Ⓒ AP17475 HOSE ASSY .313" x 48"
- Ⓓ AP8383 HOSE ASSY .313" x 96"

NOTE: INSTALLATION MUST CONFORM TO GOOD SHOP PRACTICES, SAE STANDARDS, RVIA STANDARDS, AND OTHER APPLICABLE STANDARDS.

LEVELING SYSTEM: AP40405

NO.	DATE	REVISION
1	08OCT07	ADDED HOSES

THE INFORMATION DISCLOSED ON THIS DRAWING IS CONFIDENTIAL AND MUST NOT BE DISCLOSED OR USED IN ANY MANNER WHICH WILL BE DETRIMENTAL TO THE HWH CORPORATION

HWH			I-80 EXIT 267 SOUTH RT 1 MOSCOW, IOWA 52760		
SCALE 1:6	DATE 05SEP07	DRAWN BY .			
HYD CONN DIAGRAM					
PIERCE MFG.					DRAWING NUMBER MP69889