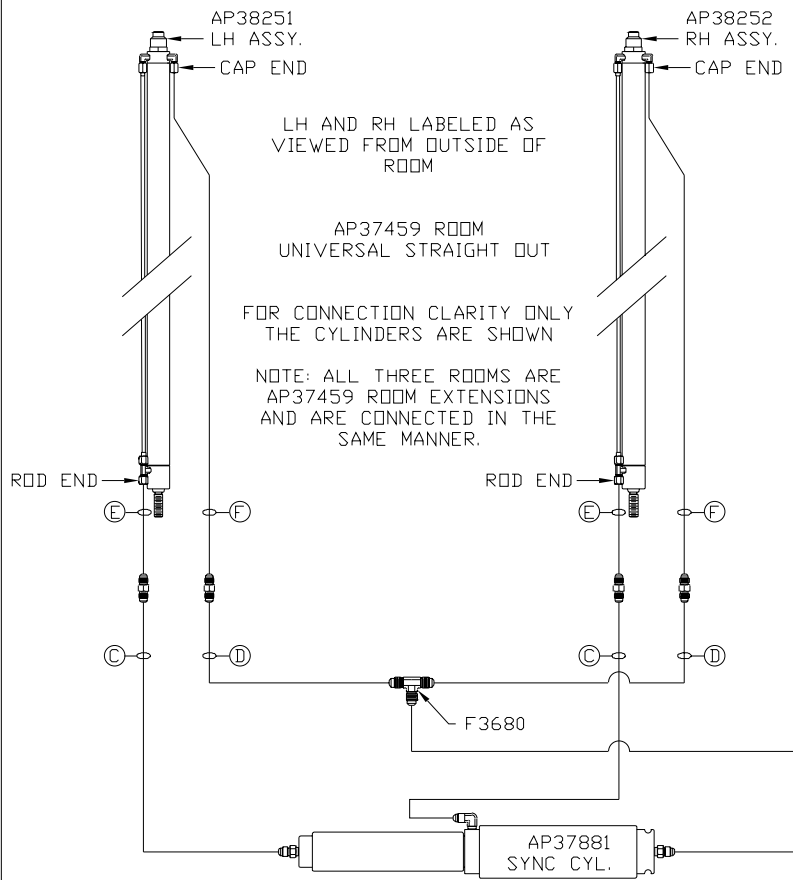


ORIENTATION

← FRONT

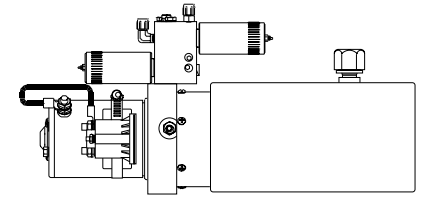
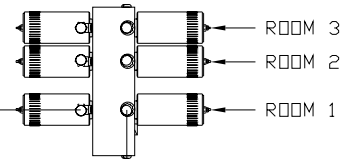


NOTE: HOSES (E) AND (F) ARE INCLUDED WITH THE ROOM EXTENSION MECHANISM

- (A) .25" I.D. HOSE  
ROD END - ALWAYS PRESSURIZED
- (B) .25" I.D. HOSE  
CAP END
- (C) .125" I.D. HOSE  
ROD END - ALWAYS PRESSURIZED - MUST BE HIGH PRESSURE HOSES OF EQUAL LENGTH AND DIAMETER

- (D) .125" I.D. HOSE  
CAP END - MUST MAINTAIN EQUAL LENGTH AND DIAMETER
- (E) AP24632 HOSE ASSY HWH02HP x 48"  
ROD END - ALWAYS PRESSURIZED - MUST BE HIGH PRESSURE HOSES OF EQUAL LENGTH AND DIAMETER
- (F) AP24818 HOSE ASSY HWH02HP x 86"  
CAP END - MUST MAINTAIN EQUAL LENGTH AND DIAMETER

TOP VIEW  
MANIFOLD



SIDE VIEW PUMP/MANIFOLD-AP38245

LOCATION AND ORIENTATION OF PUMP/MANIFOLD ASSEMBLY WILL DIFFER DEPENDING UPON O.E.M.

NOTE: INSTALLATION MUST CONFORM TO GOOD SHOP PRACTICES, SAE STANDARDS, RVIA STANDARDS, AND OTHER APPLICABLE STANDARDS. CONTROL PACKAGE: AP41615

		HWH		I-80 EXIT 267 SOUTH RT 1 MOSCOW, IOWA 52760	
		SCALE 1:6	DATE 04OCT07	DRAWN BY .	
NO.		DATE		REVISION	
				HYD CONN DIAGRAM	
		EVI		DRAWING NUMBER MP69903	