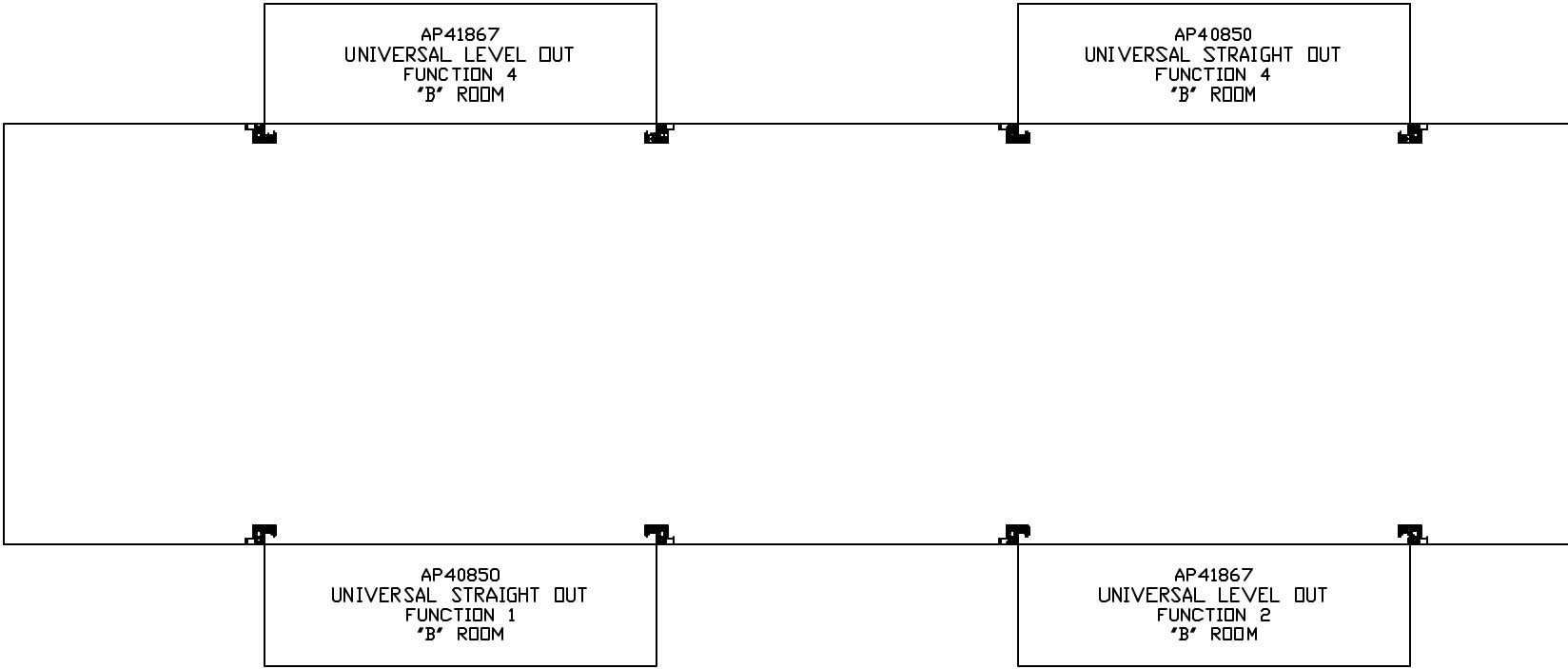


ORIENTATION
 ← FRONT



NOTE: INSTALLATION MUST CONFORM TO GOOD SHOP PRACTICES, SAE STANDARDS, RVIA STANDARDS, AND OTHER APPLICABLE STANDARDS.

LEVELING SYSTEM: AP41865

NO.	DATE	REVISION

HWH I-80 EXIT 267 SOUTH
 RT 1 MOSCOW, IOWA 52760
 SCALE 1:6 DATE 02JAN08 DRAWN BY .

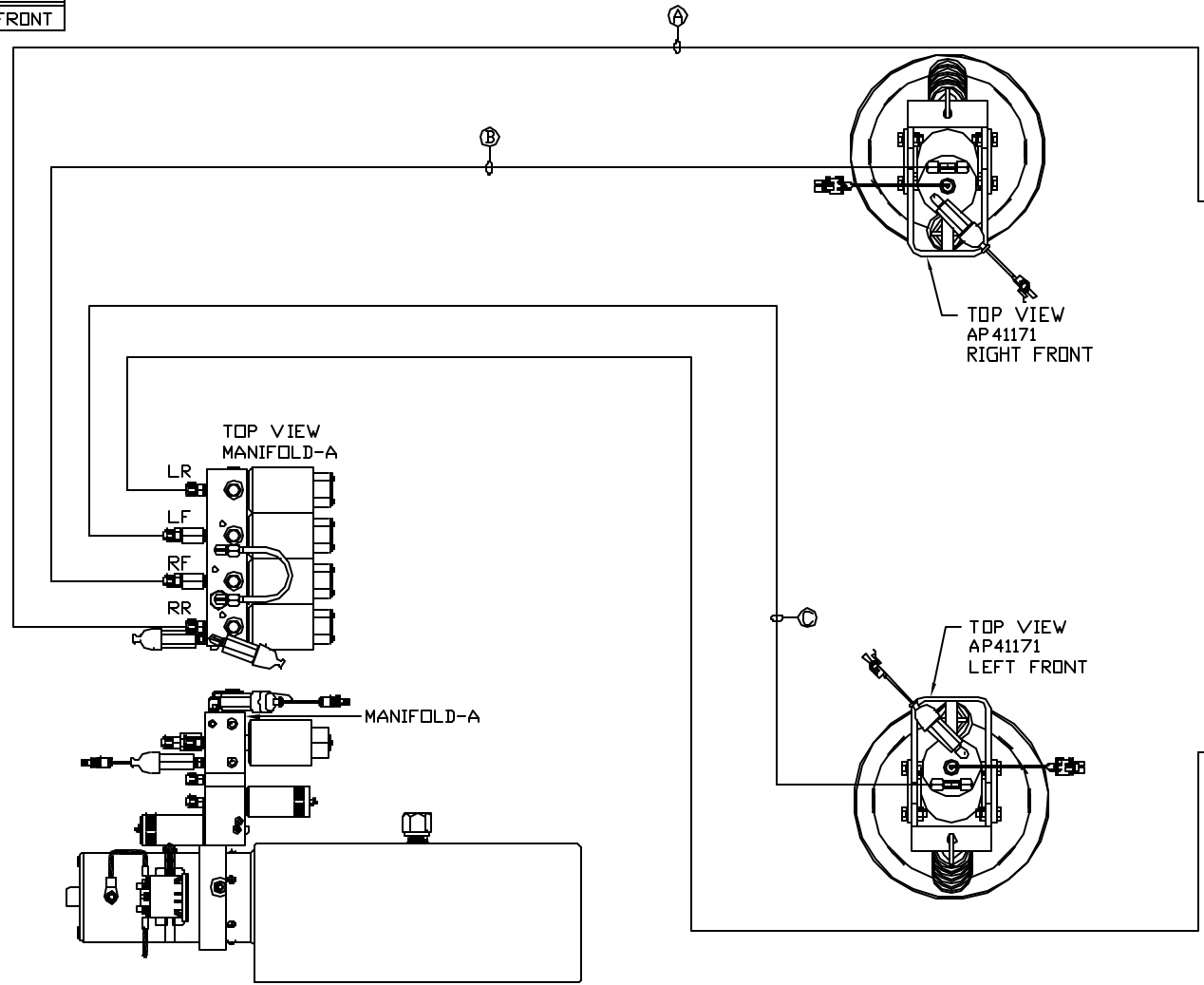
HYD CONN DIAGRAM

THE INFORMATION DISCLOSED ON THIS DRAWING IS CONFIDENTIAL AND MUST NOT BE DISCLOSED OR USED IN ANY MANNER WHICH WILL BE DETRIMENTAL TO THE HWH CORPORATION

KINGSLEY COACH DRAWING NUMBER
 MP69932 A/F

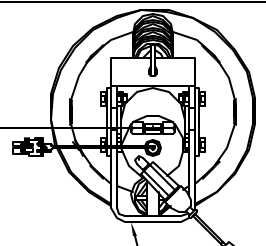
ORIENTATION

FRONT

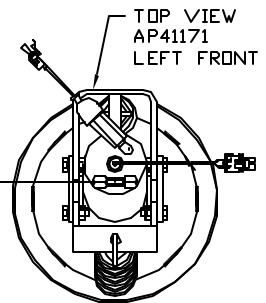


SIDE VIEW PUMP/MANIFOLD-AP37450

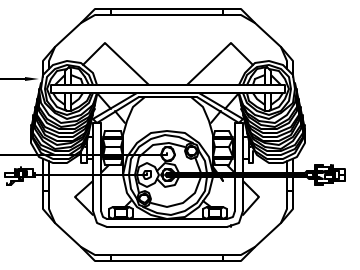
LOCATION AND ORIENTATION OF PUMP/MANIFOLD ASSEMBLY WILL DIFFER DEPENDING UPON O.E.M.



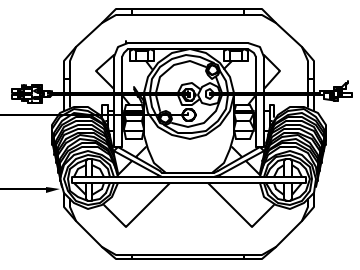
TOP VIEW AP41171 RIGHT FRONT



TOP VIEW AP41171 LEFT FRONT



TOP VIEW RIGHT REAR-AP37562



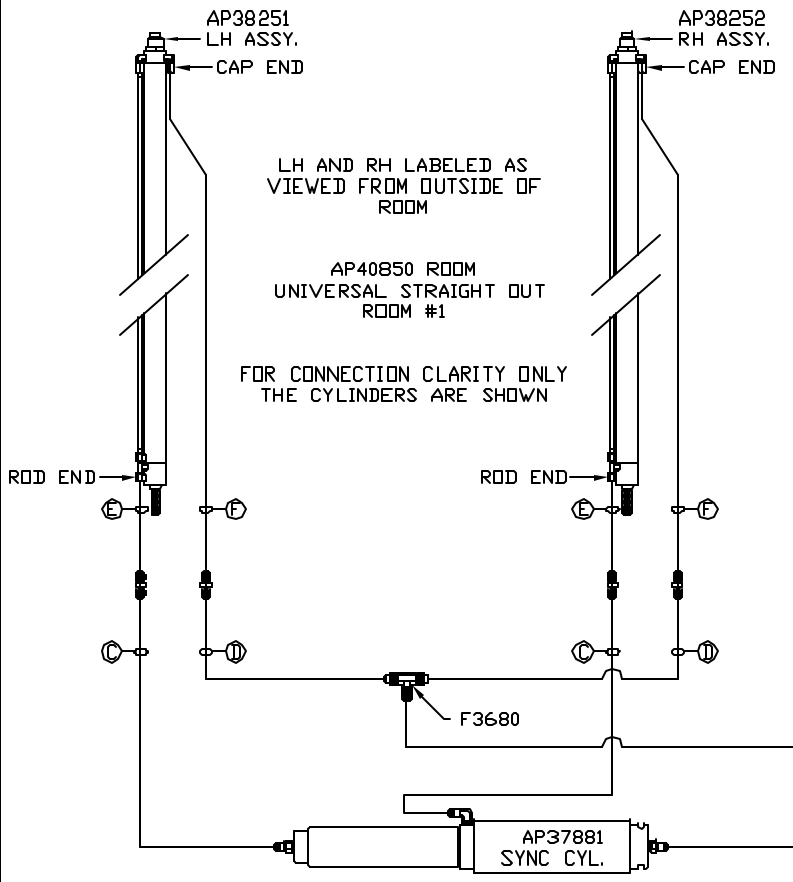
TOP VIEW LEFT REAR-AP37562

- Ⓐ AP6638 HOSE ASSY .313" x 300'
- Ⓑ AP4064 HOSE ASSY .25" x 300'
- Ⓒ AP6116 HOSE ASSY .25" x 240'
- Ⓓ AP24985 HOSE ASSY .313" x 264'

NOTE: CROSS-TIES REQUIRED FOR STRAIGHT-ACTING JACKS ON BOTH FRONT AND REAR.

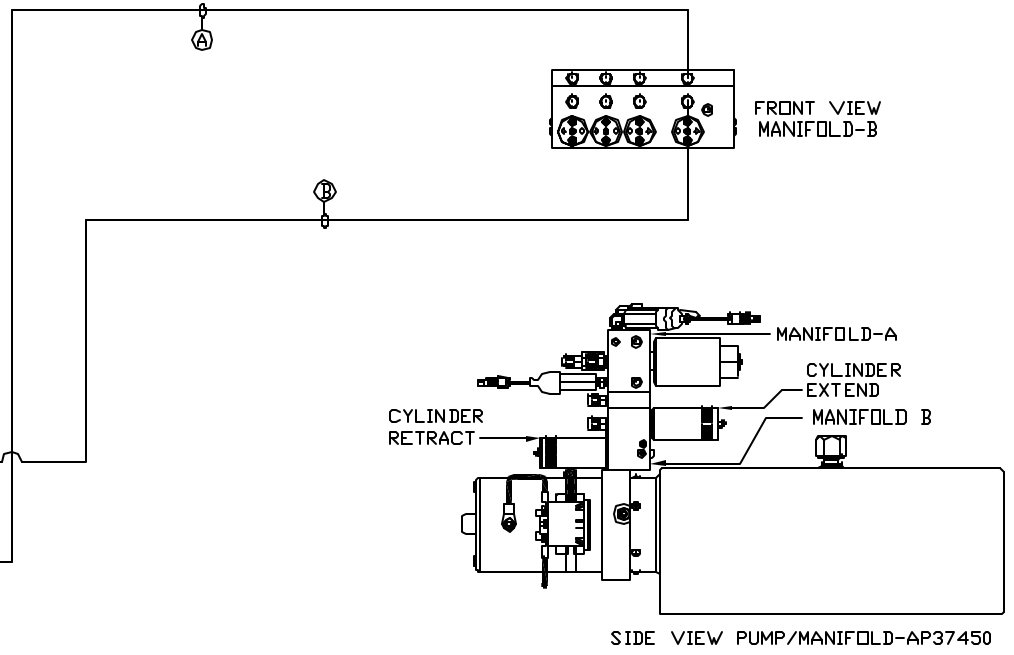
NOTE: INSTALLATION MUST CONFORM TO GOOD SHOP PRACTICES, SAE STANDARDS, RVIA STANDARDS, AND OTHER APPLICABLE STANDARDS.

ORIENTATION
 ← FRONT



NOTE: HOSES (E) AND (F) ARE INCLUDED WITH THE ROOM EXTENSION MECHANISM

- (A) .25" ID HOSE
ROD END - ALWAYS PRESSURIZED
- (B) .25" ID HOSE
CAP END
- (C) .125" ID HOSE
ROD END - ALWAYS PRESSURIZED - MUST BE HIGH PRESSURE HOSES OF EQUAL LENGTH AND DIAMETER
- (D) .125" ID HOSE
CAP END - MUST MAINTAIN EQUAL LENGTH AND DIAMETER
- (E) AP24632 HOSE ASSY HWH02HP x 48'
ROD END - ALWAYS PRESSURIZED - MUST BE HIGH PRESSURE HOSES OF EQUAL LENGTH AND DIAMETER
- (F) AP24818 HOSE ASSY HWH02HP x 86'
CAP END - MUST MAINTAIN EQUAL LENGTH AND DIAMETER



NOTE: INSTALLATION MUST CONFORM TO GOOD SHOP PRACTICES, SAE STANDARDS, RVIA STANDARDS, AND OTHER APPLICABLE STANDARDS.

MP69932 C/F
 02JAN08

ORIENTATION

FRONT

*: PART OF THE ROOM
EXTENSION MECHANISM.

Ⓐ .25" ID HOSE
ROD END - ALWAYS PRESSURIZED

Ⓑ .25" ID HOSE
CAP END

Ⓒ .125" ID HOSE
ROD END - ALWAYS PRESSURIZED - MUST
BE HIGH PRESSURE HOSES OF EQUAL
LENGTH AND DIAMETER

Ⓓ .125" ID HOSE
CAP END - MUST MAINTAIN EQUAL LENGTH
AND DIAMETER

NOTE: HOSES Ⓒ AND Ⓓ ARE INCLUDED
WITH THE ROOM EXTENSION MECHANISM.

Ⓔ AP24818 HOSE ASSY HWH02HP x 86"
CAP END - MUST MAINTAIN EQUAL LENGTH
AND DIAMETER

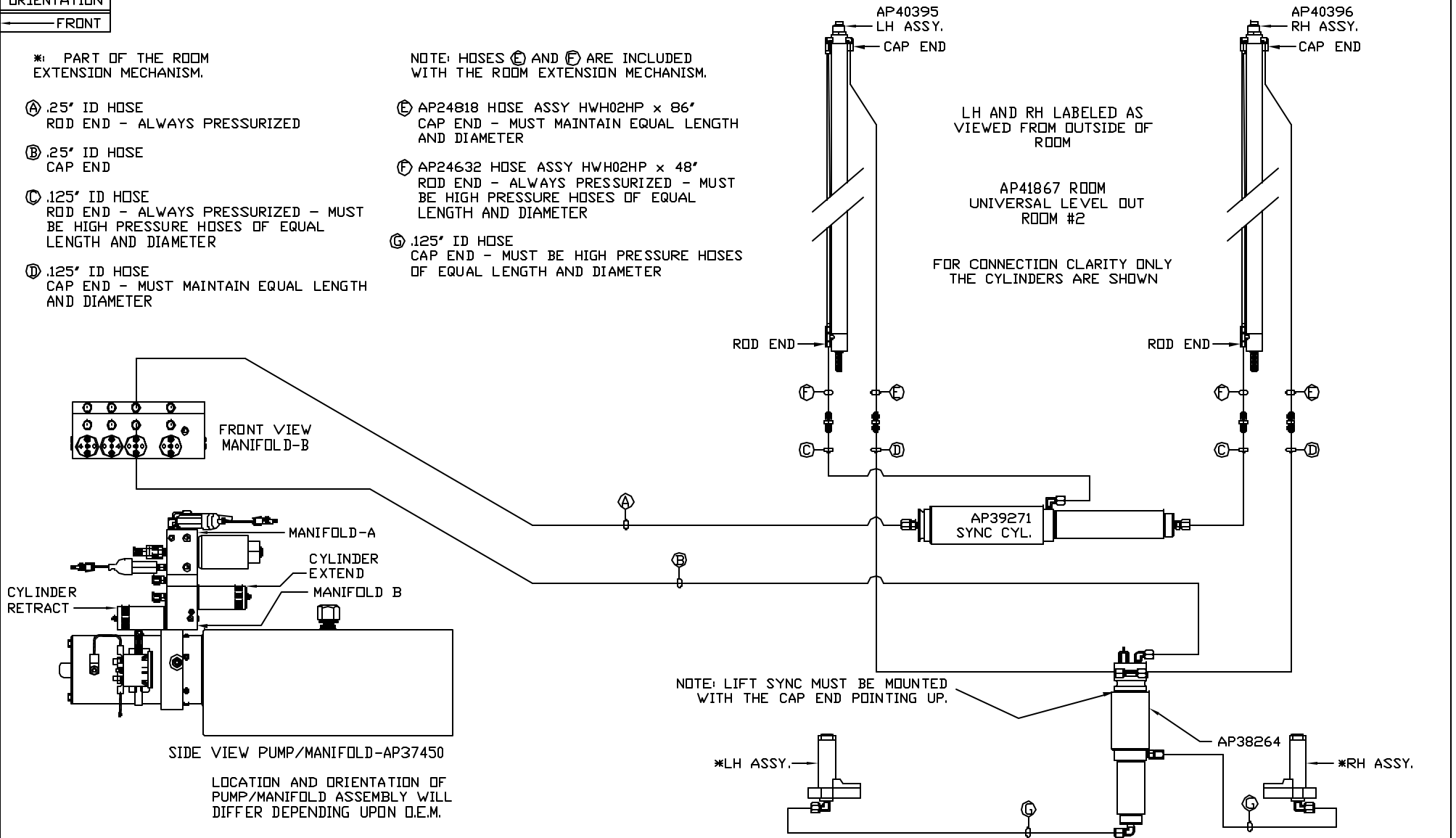
Ⓕ AP24632 HOSE ASSY HWH02HP x 48"
ROD END - ALWAYS PRESSURIZED - MUST
BE HIGH PRESSURE HOSES OF EQUAL
LENGTH AND DIAMETER

Ⓖ .125" ID HOSE
CAP END - MUST BE HIGH PRESSURE HOSES
OF EQUAL LENGTH AND DIAMETER

LH AND RH LABELED AS
VIEWED FROM OUTSIDE OF
ROOM

AP41867 ROOM
UNIVERSAL LEVEL OUT
ROOM #2

FOR CONNECTION CLARITY ONLY
THE CYLINDERS ARE SHOWN



NOTE: LIFT SYNC MUST BE MOUNTED
WITH THE CAP END POINTING UP.

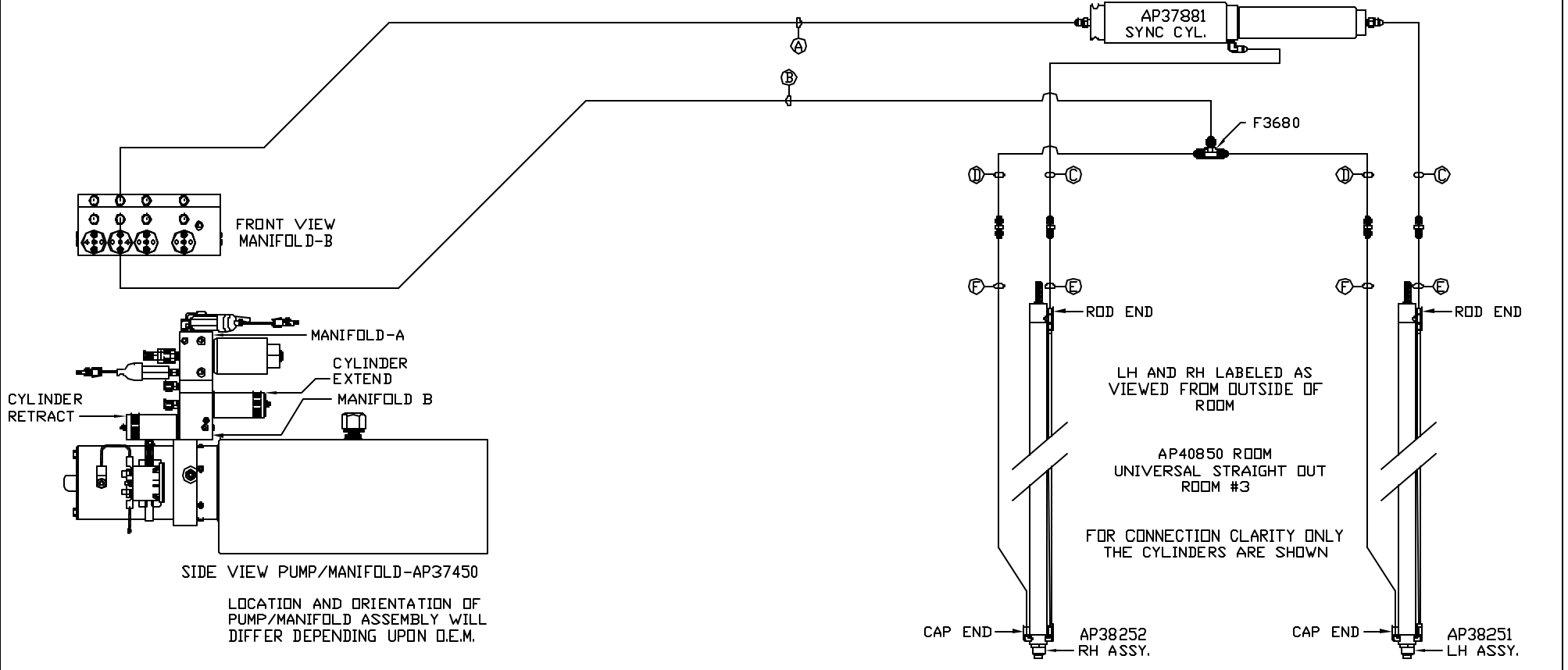
NOTE: INSTALLATION MUST CONFORM TO GOOD SHOP PRACTICES, SAE
STANDARDS, RVIA STANDARDS, AND OTHER APPLICABLE STANDARDS.

MP69932 D/F
02JAN08

ORIENTATION
 ← FRONT

NOTE: HOSES (D) AND (E) ARE INCLUDED WITH THE ROOM EXTENSION MECHANISM

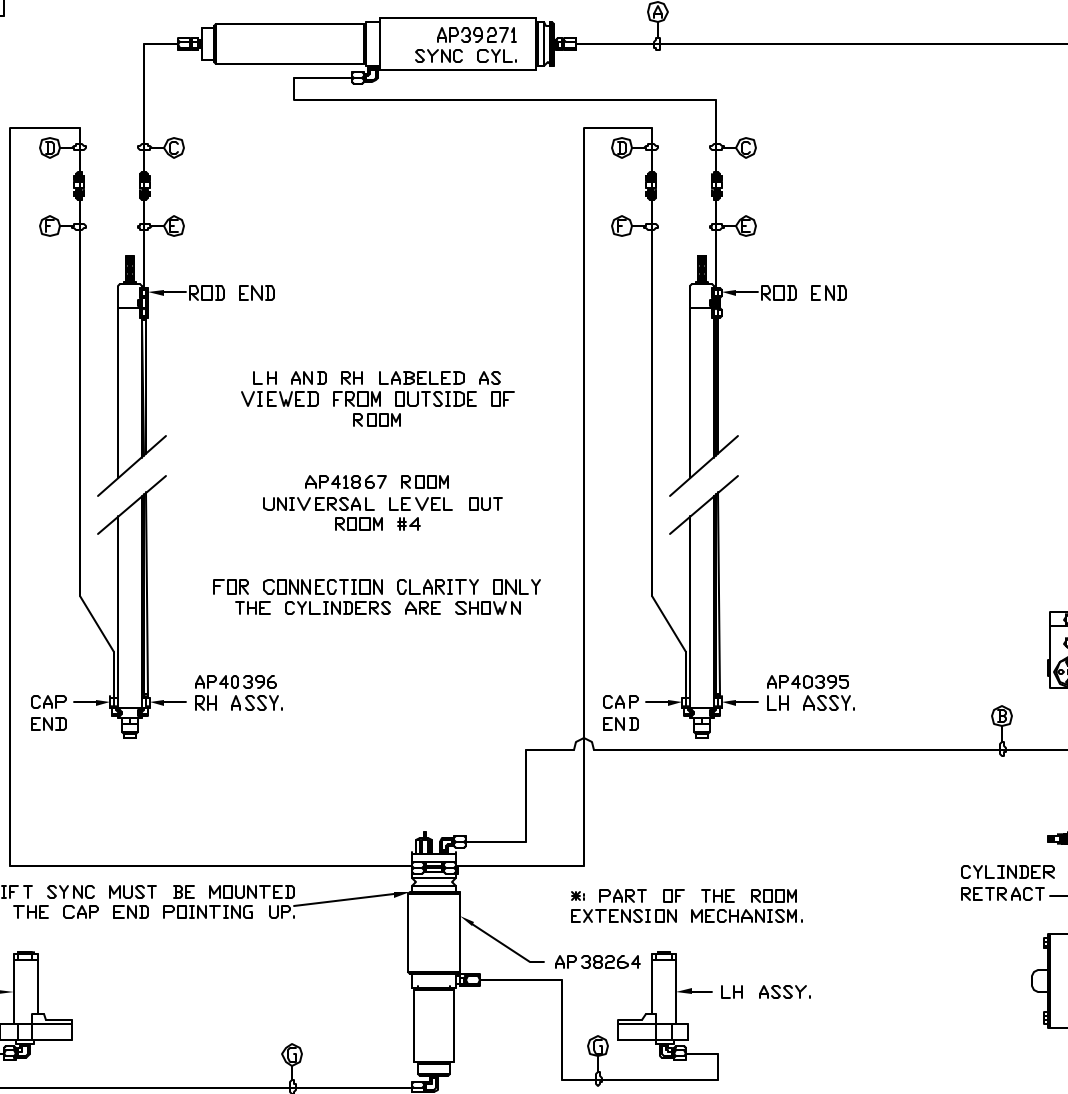
- (A) .25" ID HOSE
ROD END - ALWAYS PRESSURIZED
- (B) .25" ID HOSE
CAP END
- (C) .125" ID HOSE
ROD END - ALWAYS PRESSURIZED - MUST BE HIGH PRESSURE HOSES OF EQUAL LENGTH AND DIAMETER
- (D) .125" ID HOSE
CAP END - MUST MAINTAIN EQUAL LENGTH AND DIAMETER
- (E) AP24632 HOSE ASSY HWH02HP x 48'
ROD END - ALWAYS PRESSURIZED - MUST BE HIGH PRESSURE HOSES OF EQUAL LENGTH AND DIAMETER
- (F) AP24818 HOSE ASSY HWH02HP x 86'
CAP END - MUST MAINTAIN EQUAL LENGTH AND DIAMETER



NOTE: INSTALLATION MUST CONFORM TO GOOD SHOP PRACTICES, SAE STANDARDS, RVIA STANDARDS, AND OTHER APPLICABLE STANDARDS.

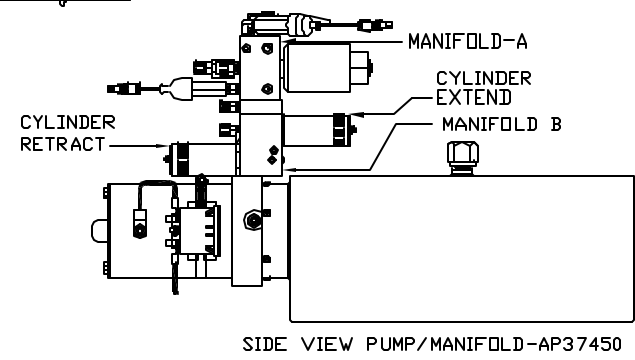
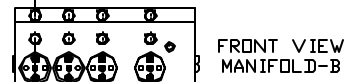
MP69932 E/F
 02JAN08

ORIENTATION
 FRONT



NOTE: HOSES (E) AND (F) ARE INCLUDED WITH THE ROOM EXTENSION MECHANISM.

- (A) .25" ID HOSE
ROD END - ALWAYS PRESSURIZED
- (B) .25" ID HOSE
CAP END
- (C) .125" ID HOSE
ROD END - ALWAYS PRESSURIZED - MUST BE HIGH PRESSURE HOSES OF EQUAL LENGTH AND DIAMETER
- (D) .125" ID HOSE
CAP END - MUST MAINTAIN EQUAL LENGTH AND DIAMETER
- (E) AP24632 HOSE ASSY HWH02HP x 48"
ROD END - ALWAYS PRESSURIZED - MUST BE HIGH PRESSURE HOSES OF EQUAL LENGTH AND DIAMETER
- (F) AP24818 HOSE ASSY HWH02HP x 86"
CAP END - MUST MAINTAIN EQUAL LENGTH AND DIAMETER
- (G) .125" ID HOSE
CAP END - MUST BE HIGH PRESSURE HOSES LENGTH AND DIAMETER



NOTE: LIFT SYNC MUST BE MOUNTED WITH THE CAP END POINTING UP.

*: PART OF THE ROOM EXTENSION MECHANISM.

NOTE: INSTALLATION MUST CONFORM TO GOOD SHOP PRACTICES, SAE STANDARDS, RVIA STANDARDS, AND OTHER APPLICABLE STANDARDS.

LOCATION AND ORIENTATION OF PUMP/MANIFOLD ASSEMBLY WILL DIFFER DEPENDING UPON O.E.M.