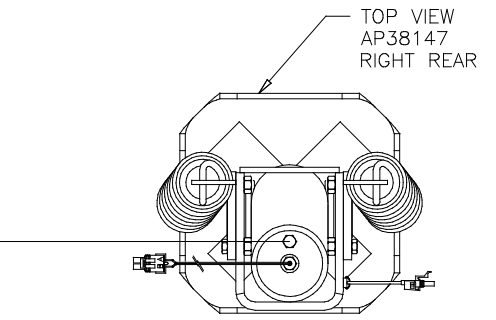
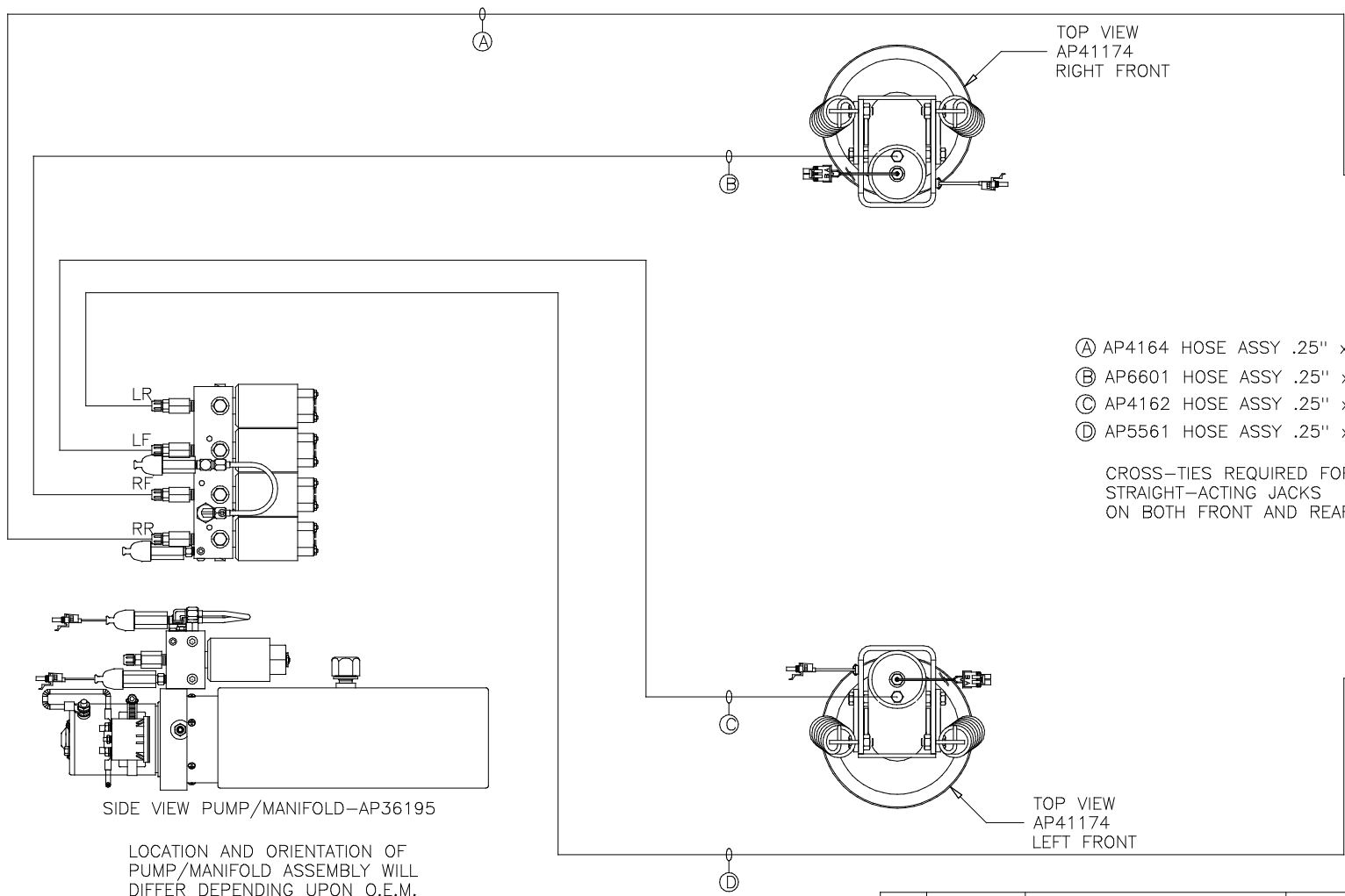
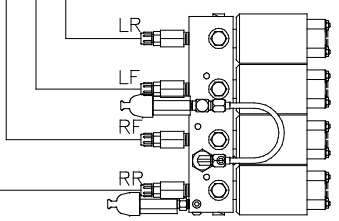
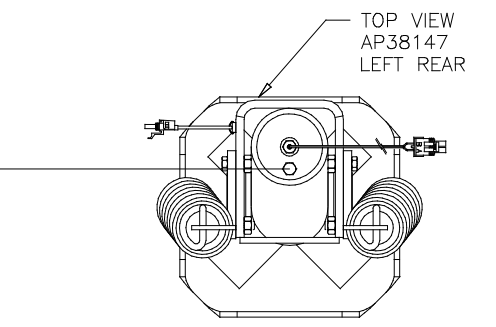


ORIENTATION
 ← FRONT



- Ⓐ AP4164 HOSE ASSY .25" x 384"
- Ⓑ AP6601 HOSE ASSY .25" x 198"
- Ⓒ AP4162 HOSE ASSY .25" x 192"
- Ⓓ AP5561 HOSE ASSY .25" x 336"

CROSS-TIES REQUIRED FOR
 STRAIGHT-ACTING JACKS
 ON BOTH FRONT AND REAR.



SIDE VIEW PUMP/MANIFOLD-AP36195

LOCATION AND ORIENTATION OF
 PUMP/MANIFOLD ASSEMBLY WILL
 DIFFER DEPENDING UPON O.E.M.

TOP VIEW
 AP41174
 LEFT FRONT

NO.	DATE	REVISION

HWH 1-80 EXIT 267 SOUTH
 RT 1 MOSCOW, IOWA 52760

SCALE 1:6 DATE 26FEB08 DRAWN BY .

HYD CONN DIAGRAM

OBS, INC.

DRAWING NUMBER
 MP69951

NOTE: INSTALLATION MUST CONFORM TO GOOD SHOP PRACTICES, SAE STANDARDS, RVIA STANDARDS, AND OTHER APPLICABLE STANDARDS.

LEVELING SYSTEM: AP42215

THE INFORMATION DISCLOSED ON THIS DRAWING IS CONFIDENTIAL AND MUST NOT BE DISCLOSED OR USED IN ANY MANNER WHICH WILL BE DETRIMENTAL TO THE HWH CORPORATION