

ORIENTATION
← FRONT

AP38383
LH ASSY.
CAP END

AP38384
LH ASSY.
CAP END

LH AND RH LABELED AS
VIEWED FROM OUTSIDE
OF ROOM

AP38392 ROOM #1
UNIVERSAL LEVEL OUT

*: AP38604 IS PART OF THE
ROOM EXTENSION MECHANISM.

NOTE: HOSES (A) AND (B) ARE INCLUDED
WITH THE ROOM EXTENSION MECHANISM.

- (A) AP24818 HOSE ASSY HWH02HP x 86"
CAP END - MUST MAINTAIN EQUAL LENGTH
AND DIAMETER
- (B) AP24632 HOSE ASSY HWH02HP x 48"
ROD END - ALWAYS PRESSURIZED - MUST
BE HIGH PRESSURE HOSES OF EQUAL
LENGTH AND DIAMETER
- (C) .125" ID HOSE
ROD END - ALWAYS PRESSURIZED - MUST
BE HIGH PRESSURE HOSES OF EQUAL
LENGTH AND DIAMETER
- (D) .125" ID HOSE
CAP END - MUST MAINTAIN EQUAL LENGTH
AND DIAMETER

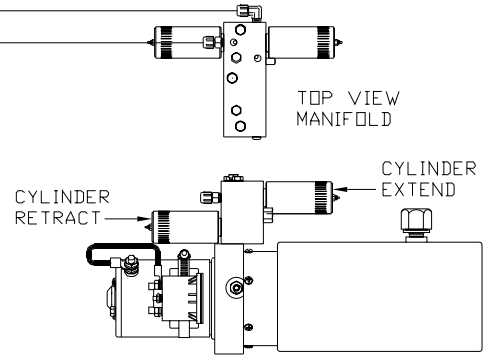
- (E) .25" ID HOSE
ROD END - ALWAYS PRESSURIZED
- (F) .25" ID HOSE
CAP END
- (G) .125" ID HOSE
CAP END - MUST BE HIGH PRESSURE HOSES
OF EQUAL LENGTH AND DIAMETER

*AP38604
LH ASSY.

AP38264

*AP38604
RH ASSY.

NOTE: LIFT SYNC MUST BE MOUNTED WITH THE CAP END
POINTING UP.



SIDE VIEW PUMP/MANIFOLD-AP32369

LOCATION AND ORIENTATION OF
PUMP/MANIFOLD ASSEMBLY WILL
DIFFER DEPENDING UPON O.E.M.

NOTE: INSTALLATION MUST CONFORM TO GOOD SHOP PRACTICES, SAE
STANDARDS, RVIA STANDARDS, AND OTHER APPLICABLE STANDARDS.

CONTROL PACKAGE: AP42295

NO.	DATE	REVISION

THE INFORMATION DISCLOSED ON THIS DRAWING IS CON-
FIDENTIAL AND MUST NOT BE DISCLOSED OR USED IN ANY
MANNER WHICH WILL BE DETRIMENTAL TO THE HWH CORPORATION

HWH I-80 EXIT 267 SOUTH
RT 1 MOSCOW, IOWA 52760

SCALE 1:6 DATE 27FEB08 DRAWN BY .

HYD CONN DIAGRAM

LDV, INC. DRAWING NUMBER
MP69959