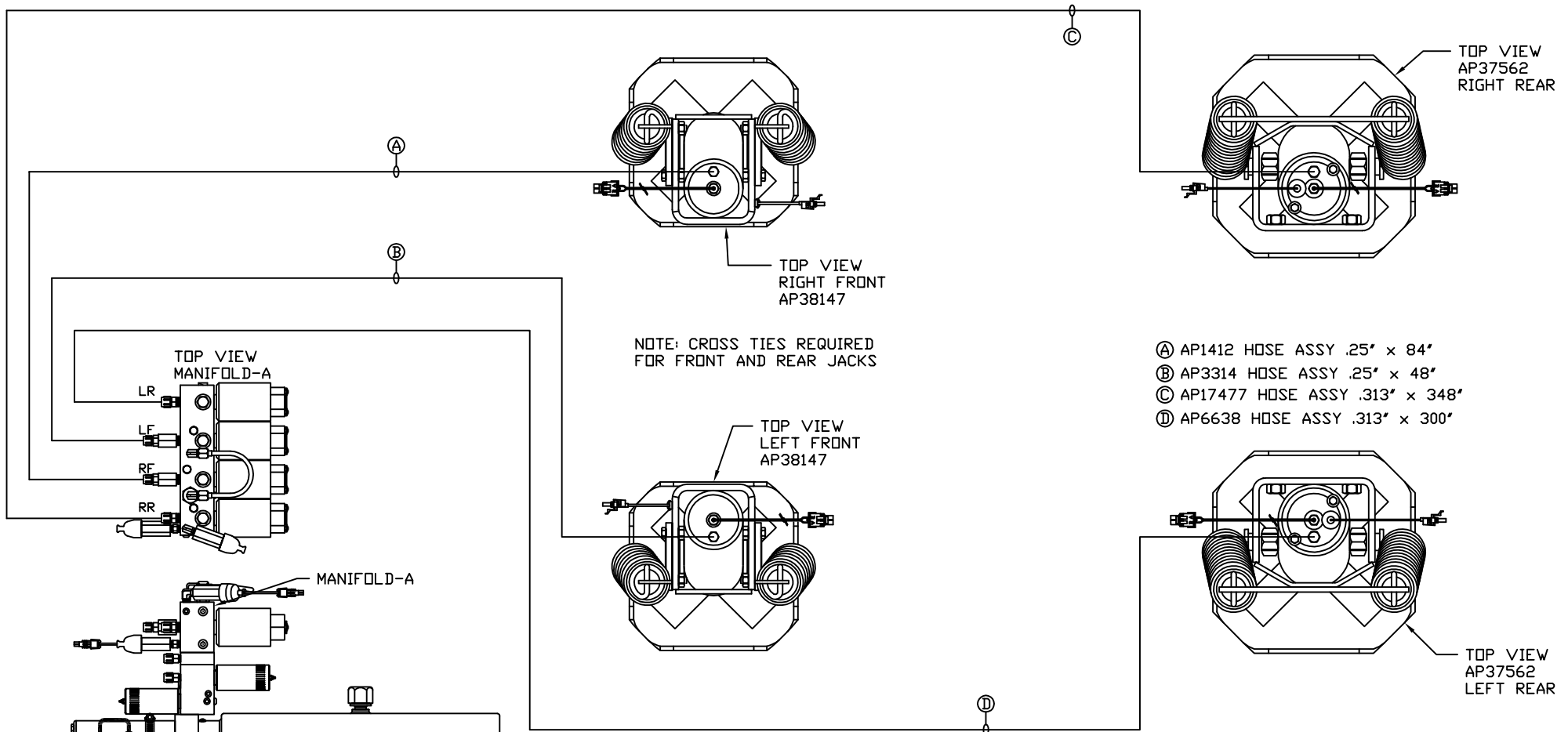


ORIENTATION  
← FRONT



SIDE VIEW PUMP/MANIFOLD-AP39700

LOCATION AND ORIENTATION OF PUMP/MANIFOLD ASSEMBLY WILL DIFFER DEPENDING UPON O.E.M.

NOTE: INSTALLATION MUST CONFORM TO GOOD SHOP PRACTICES, SAE STANDARDS, RVIA STANDARDS, AND OTHER APPLICABLE STANDARDS.

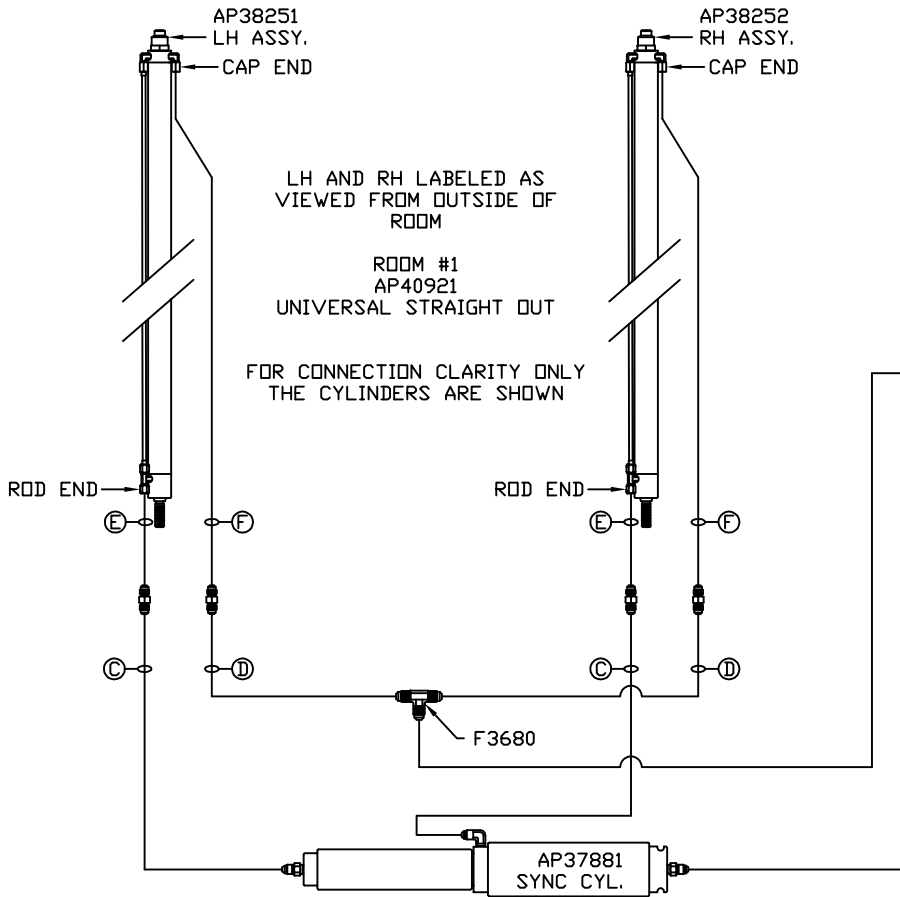
LEVELING SYSTEM: AP40919

NO.	DATE	REVISION

THE INFORMATION DISCLOSED ON THIS DRAWING IS CONFIDENTIAL AND MUST NOT BE DISCLOSED OR USED IN ANY MANNER WHICH WILL BE DETRIMENTAL TO THE HWH CORPORATION

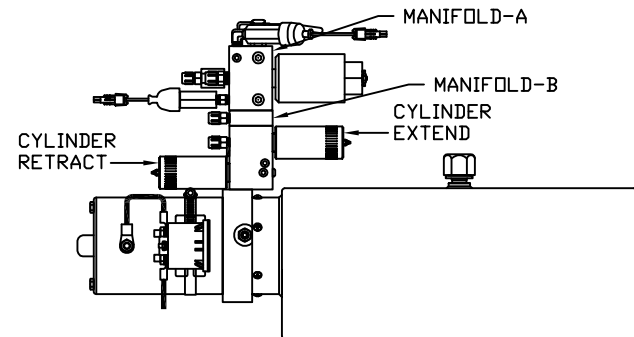
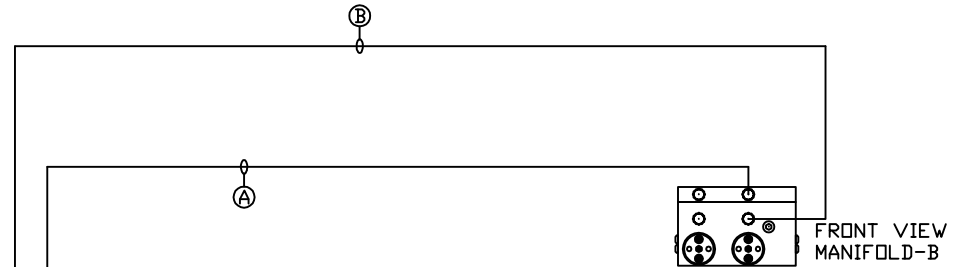
<p><b>HWH</b> I-80 EXIT 267 SOUTH RT 1 MOSCOW, IOWA 52760</p>		
SCALE 1:6	DATE 26MAR08	DRAWN BY .
<p>HYD CONN DIAGRAM</p>		
<p>E-ONE</p>		<p>DRAWING NUMBER MP69974 A/C</p>

ORIENTATION  
← FRONT



NOTE: HOSES (E) AND (F) ARE INCLUDED  
WITH THE ROOM EXTENSION MECHANISM

- (A) AP5562 HOSE ASSY .25" X 276"  
ROD END - ALWAYS PRESSURIZED
- (B) AP4729 HOSE ASSY .25" X 280"  
CAP END
- (C) AP24633 HOSE ASSY HWH02HP X 54"  
ROD END - ALWAYS PRESSURIZED - MUST  
BE HIGH PRESSURE HOSES OF EQUAL  
LENGTH AND DIAMETER
- (D) AP24634 HOSE ASSY HWH02HP x 60"  
CAP END - MUST MAINTAIN EQUAL LENGTH  
AND DIAMETER
- (E) AP24632 HOSE ASSY HWH02HP x 48"  
ROD END - ALWAYS PRESSURIZED - MUST  
BE HIGH PRESSURE HOSES OF EQUAL  
LENGTH AND DIAMETER
- (F) AP24818 HOSE ASSY HWH02HP x 86"  
CAP END - MUST MAINTAIN EQUAL LENGTH  
AND DIAMETER



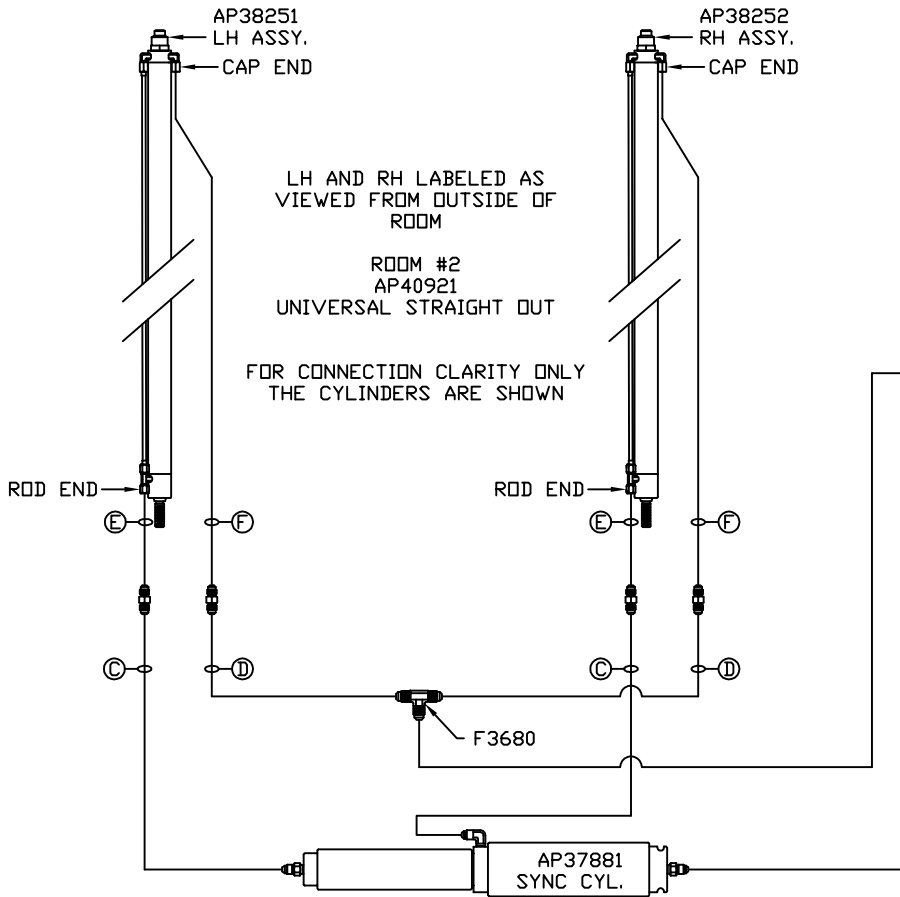
SIDE VIEW PUMP/MANIFOLD-AP39700

LOCATION AND ORIENTATION OF  
PUMP/MANIFOLD ASSEMBLY WILL  
DIFFER DEPENDING UPON O.E.M.

NOTE: INSTALLATION MUST CONFORM TO GOOD SHOP PRACTICES, SAE  
STANDARDS, RVIA STANDARDS, AND OTHER APPLICABLE STANDARDS.

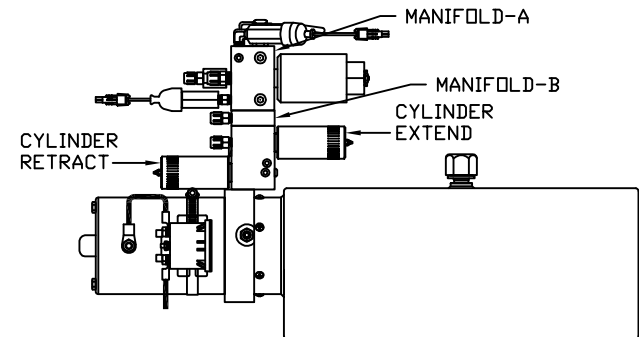
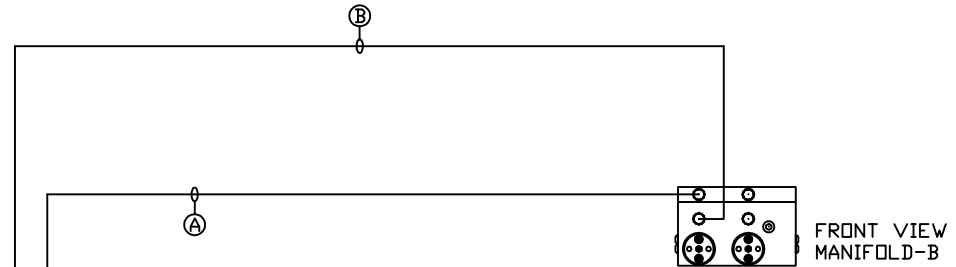
MP69974 B/C  
26MAR08

ORIENTATION  
← FRONT



NOTE: HOSES (E) AND (F) ARE INCLUDED WITH THE ROOM EXTENSION MECHANISM

- (A) AP6115 HOSE ASSY .25" X 168"  
ROD END - ALWAYS PRESSURIZED
- (B) AP7358 HOSE ASSY .25" X 175"  
CAP END
- (C) AP24635 HOSE ASSY HWH02HP X 72"  
ROD END - ALWAYS PRESSURIZED - MUST BE HIGH PRESSURE HOSES OF EQUAL LENGTH AND DIAMETER
- (D) AP24636 HOSE ASSY HWH02HP x 84"  
CAP END - MUST MAINTAIN EQUAL LENGTH AND DIAMETER
- (E) AP24632 HOSE ASSY HWH02HP x 48"  
ROD END - ALWAYS PRESSURIZED - MUST BE HIGH PRESSURE HOSES OF EQUAL LENGTH AND DIAMETER
- (F) AP24818 HOSE ASSY HWH02HP x 86"  
CAP END - MUST MAINTAIN EQUAL LENGTH AND DIAMETER



SIDE VIEW PUMP/MANIFOLD-AP39700

LOCATION AND ORIENTATION OF PUMP/MANIFOLD ASSEMBLY WILL DIFFER DEPENDING UPON D.E.M.

NOTE: INSTALLATION MUST CONFORM TO GOOD SHOP PRACTICES, SAE STANDARDS, RVIA STANDARDS, AND OTHER APPLICABLE STANDARDS.

MP69974 C/C  
26MAR08