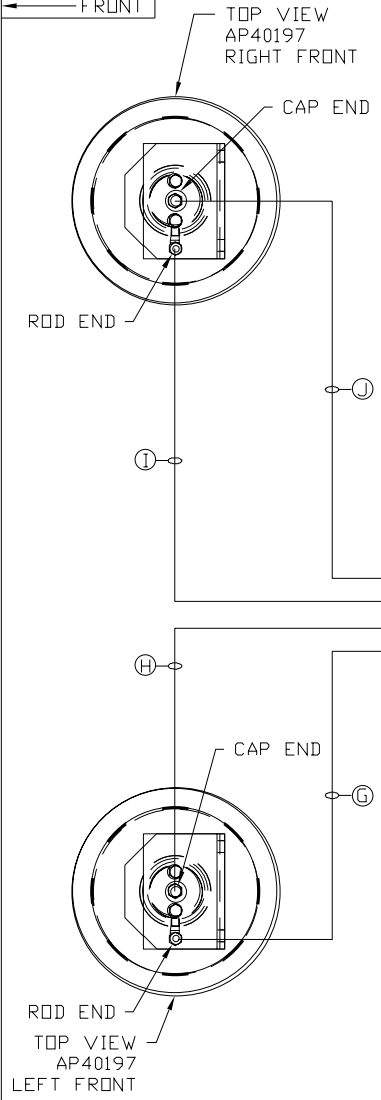
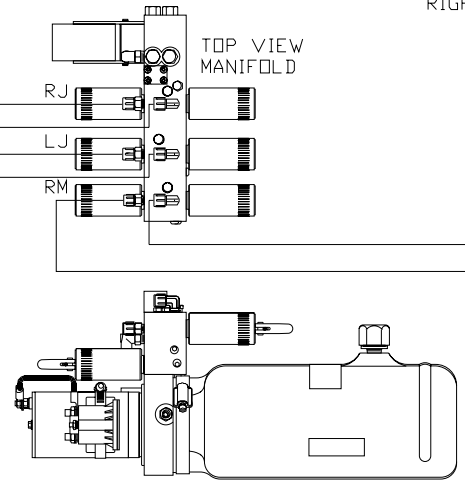


ORIENTATION  
← FRONT

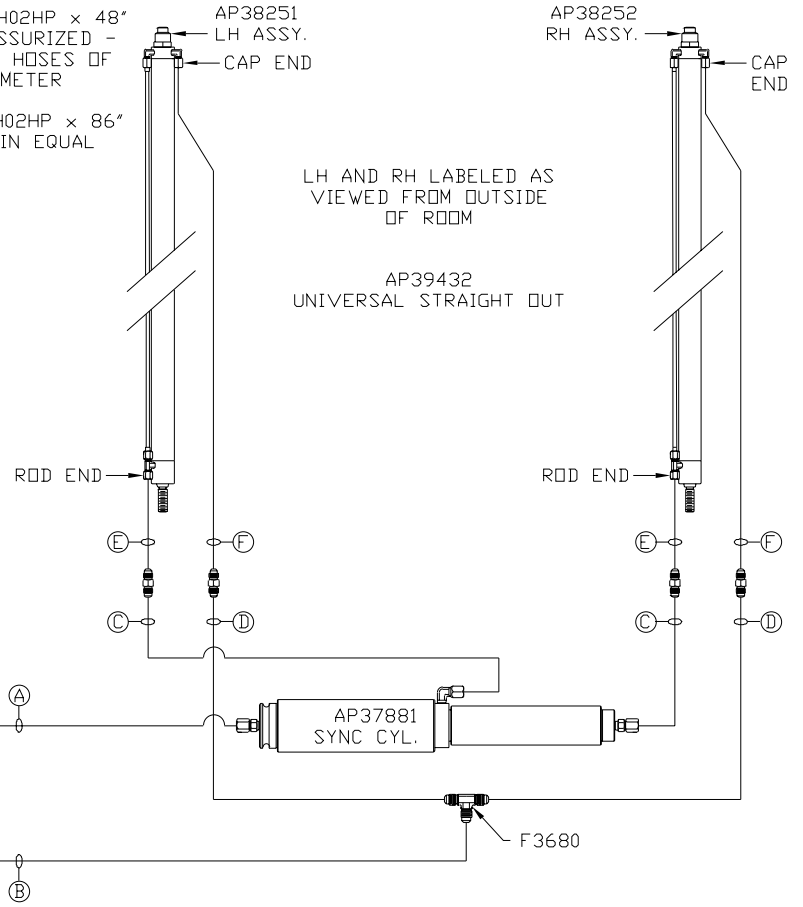


NOTE: HOSES (E) AND (F) ARE INCLUDED WITH THE ROOM EXTENSION MECHANISM

- (A) .25" ID HOSE  
ROD END - ALWAYS PRESSURIZED
- (B) .25" ID HOSE  
CAP END
- (C) .125" ID HOSE  
ROD END - ALWAYS PRESSURIZED  
HOSES MUST BE HIGH PRESSURE  
HOSES OF EQUAL LENGTH AND DIAMETER
- (D) .125" ID HOSE  
CAP END - HOSES MUST MAINTAIN  
EQUAL LENGTH AND DIAMETER
- (E) AP24632 HOSE ASSY HWH02HP x 48"  
ROD END - ALWAYS PRESSURIZED -  
MUST BE HIGH PRESSURE HOSES OF  
EQUAL LENGTH AND DIAMETER
- (F) AP24818 HOSE ASSY HWH02HP x 86"  
CAP END - MUST MAINTAIN EQUAL  
LENGTH AND DIAMETER
- (G) .25" ID HOSE  
LEFT JACK ROD END
- (H) .25/05 HOSE  
LEFT JACK CAP END
- (I) .25" ID HOSE  
RIGHT JACK ROD END
- (J) .25/05 HOSE  
RIGHT JACK CAP END



LOCATION AND ORIENTATION OF PUMP/MANIFOLD ASSEMBLY WILL DIFFER DEPENDING UPON O.E.M.



NOTE: INSTALLATION MUST CONFORM TO GOOD SHOP PRACTICES, SAE STANDARDS, RVIA STANDARDS, AND OTHER APPLICABLE STANDARDS.

JACK KIT: AP41670 (2 USED)  
CONTROL PACKAGE: AP43375

NO.	12OCT09	WAS .313" HOSE
	DATE	REVISION

HWH I-80 EXIT 267 SOUTH  
RT 1 MOSCOW, IOWA 52760  
SCALE 1:6 DATE 25AUG08 DRAWN BY .

HYD CONN DIAGRAM  
4-STAR  
DRAWING NUMBER  
MP70038