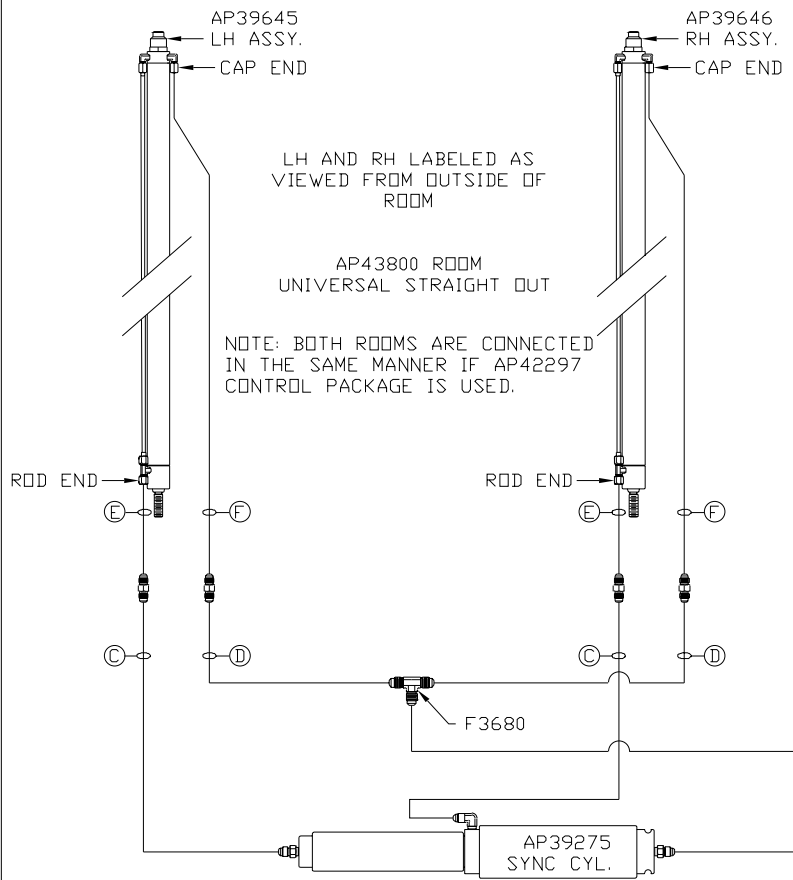


ORIENTATION

← FRONT



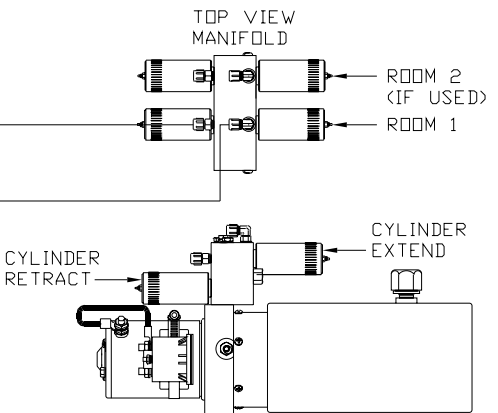
LH AND RH LABELED AS VIEWED FROM OUTSIDE OF ROOM

AP43800 ROOM UNIVERSAL STRAIGHT OUT

NOTE: BOTH ROOMS ARE CONNECTED IN THE SAME MANNER IF AP42297 CONTROL PACKAGE IS USED.

- Ⓐ AP4059 HOSE ASSY .25" x 36"
ROD END - ALWAYS PRESSURIZED
- Ⓑ AP4059 HOSE ASSY .25" x 36"
CAP END
- Ⓒ AP24636 HOSE ASSY HWH02HP x 84"
ROD END - ALWAYS PRESSURIZED - MUST BE HIGH PRESSURE HOSES OF EQUAL LENGTH AND DIAMETER
- Ⓓ AP1412 HOSE ASSY .25" x 84"
CAP END - MUST MAINTAIN EQUAL LENGTH AND DIAMETER

- Ⓔ AP24632 HOSE ASSY HWH02HP x 48"
ROD END - ALWAYS PRESSURIZED - MUST BE HIGH PRESSURE HOSES OF EQUAL LENGTH AND DIAMETER
- Ⓕ AP24818 HOSE ASSY HWH02HP x 86"
CAP END - MUST MAINTAIN EQUAL LENGTH AND DIAMETER



SIDE VIEW PUMP/MANIFOLD
AP32369 - PART OF AP42295
AP36692 - PART OF AP42297

LOCATION AND ORIENTATION OF PUMP/MANIFOLD ASSEMBLY WILL DIFFER DEPENDING UPON O.E.M.

NOTE: INSTALLATION MUST CONFORM TO GOOD SHOP PRACTICES, SAE STANDARDS, RVIA STANDARDS, AND OTHER APPLICABLE STANDARDS.

RM KIT/USD: AP43749	NO.	DATE	REVISION
CTRL PKG/1RM: AP42295	THE INFORMATION DISCLOSED ON THIS DRAWING IS CONFIDENTIAL AND MUST NOT BE DISCLOSED OR USED IN ANY MANNER WHICH WILL BE DETRIMENTAL TO THE HWH CORPORATION		
CTRL PKG/2RM: AP42297			

HWH		I-80 EXIT 267 SOUTH RT 1 MOSCOW, IOWA 52760	
SCALE 1:6	DATE 10NOV08	DRAWN BY .	
HYD CONN DIAGRAM			
LDV, INC.			DRAWING NUMBER MP70073