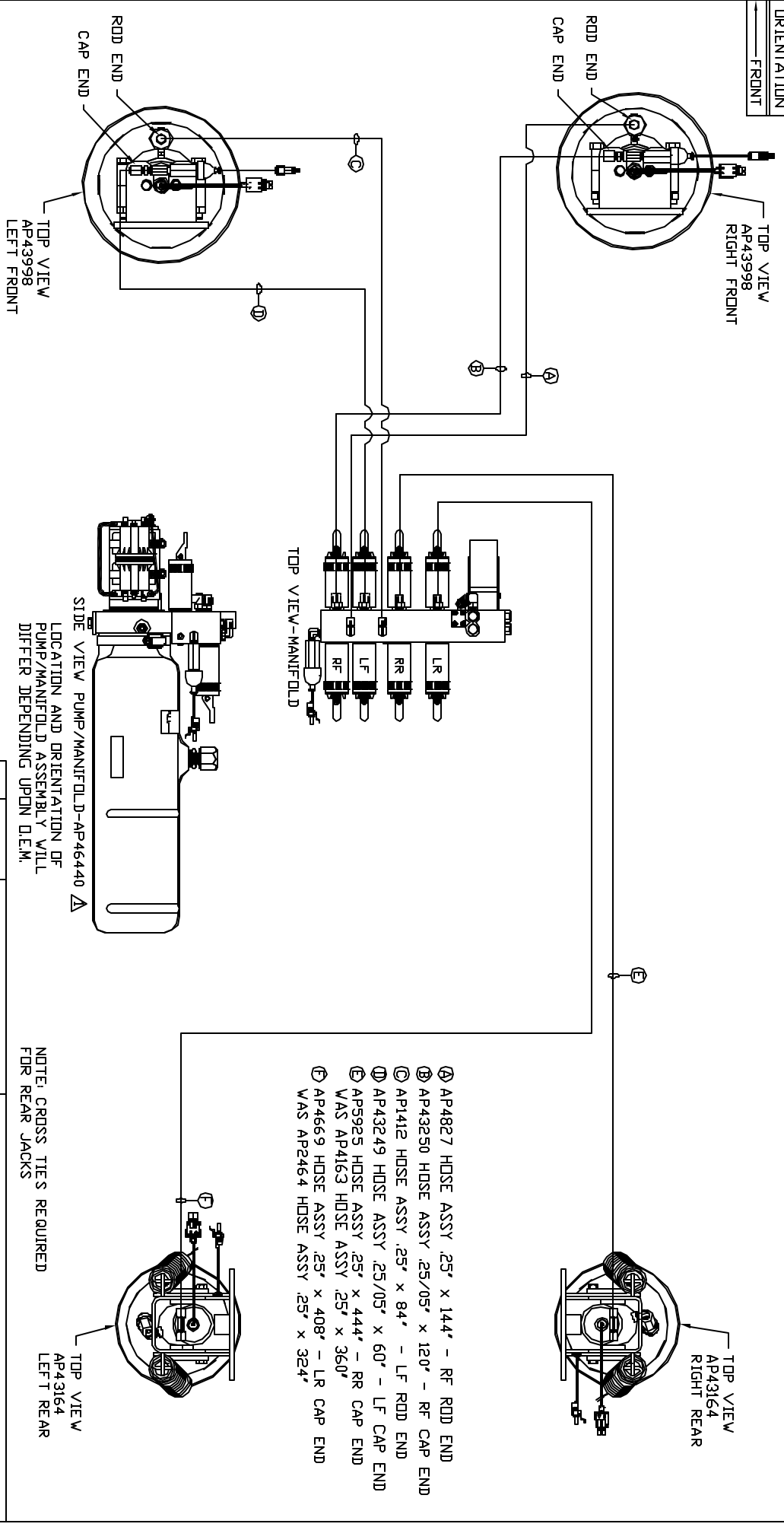


ORIENTATION  
FRONT



NOTE: INSTALLATION MUST CONFORM TO GOOD SHOP PRACTICES, SAE STANDARDS, RVIA STANDARDS, AND OTHER APPLICABLE STANDARDS.

LEVELING SYSTEM AP43870

NO.	DATE	REVISION
Δ	04FEB13	WAS AP43063

THE INFORMATION DISCLOSED IN THIS DRAWING IS CONFIDENTIAL AND MUST NOT BE DISCLOSED OR USED IN ANY MANNER WHICH WILL BE DETRIMENTAL TO THE IRI CORPORATION	SCALE 1:6	DATE 10DEC08	DRAWN BY .
	HHH	1-80 EXIT 267 SOUTH	
		RT 1 MOSCOW, INVA 52760	
	HYD CONN DIAGRAM		
	TITAN		
		DRAWING NUMBER	MP70083