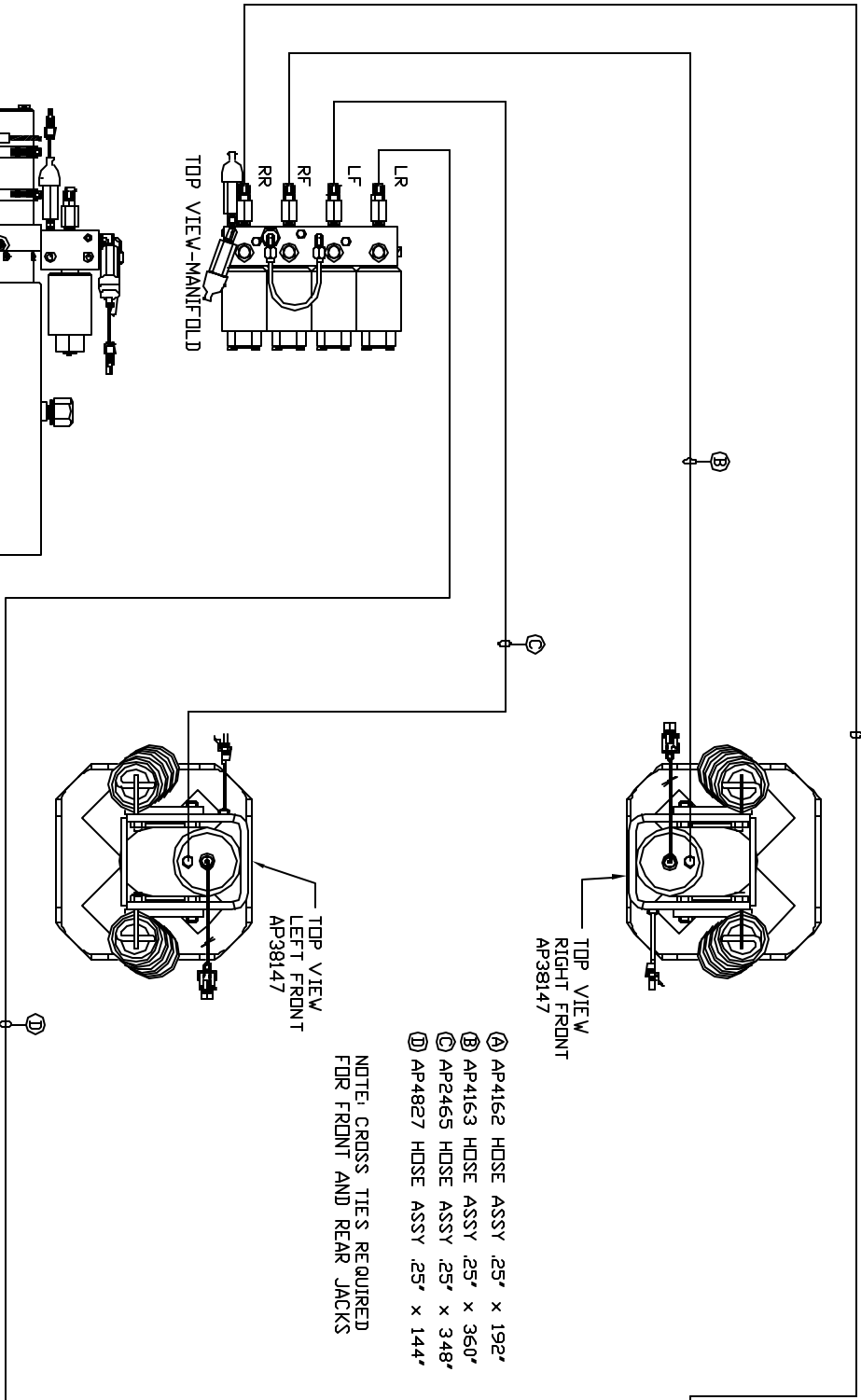


ORIENTATION
FRONT



- Ⓐ AP4162 HOSE ASSY .25" x 192"
- Ⓑ AP4163 HOSE ASSY .25" x 360"
- Ⓒ AP2465 HOSE ASSY .25" x 348"
- Ⓓ AP4827 HOSE ASSY .25" x 144"

NOTE: CROSS TIES REQUIRED FOR FRONT AND REAR JACKS

SIDE VIEW PUMP/MANIFOLD-AP36394

LOCATION AND ORIENTATION OF PUMP/MANIFOLD ASSEMBLY WILL DIFFER DEPENDING UPON D.E.M.

NOTE: INSTALLATION MUST CONFORM TO GOOD SHOP PRACTICES, SAE STANDARDS, RYLA STANDARDS, AND OTHER APPLICABLE STANDARDS.

LEVELING SYSTEM: AP44068

NO.	DATE	REVISION

HWH 1-80 EXT 267 SOUTH
 RT 1 MOSCOW, IOWA 52760
 SCALE 1:6 DATE 26 JAN 09 DRAWN BY .
 HYD CONN DIAGRAM
 WINGATE DRAWING NUMBER MP70112

THE INFORMATION DISCLOSED IN THIS DRAWING IS CONFIDENTIAL AND MUST NOT BE DISCLOSED OR USED IN ANY MANNER WHICH WILL BE DETRIMENTAL TO THE IAH CORPORATION