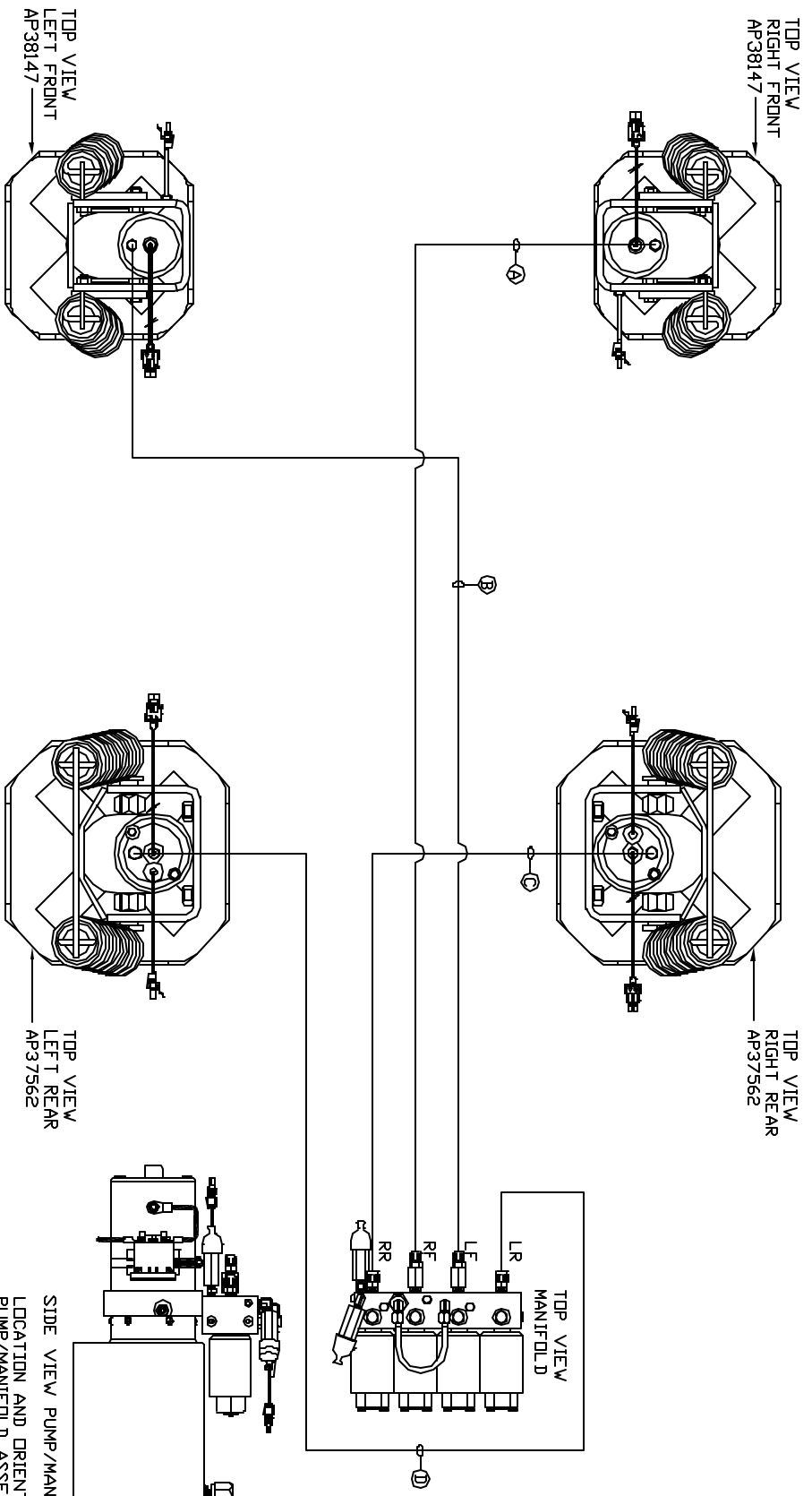


ORIENTATION
FRONT



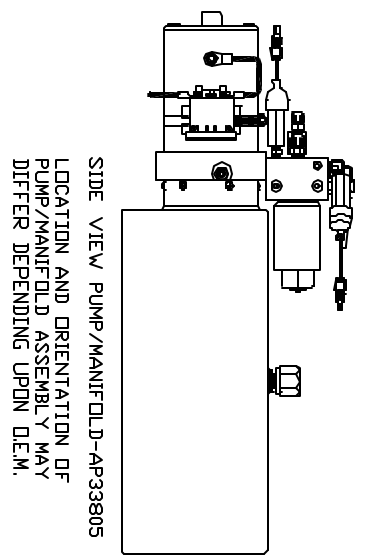
- ① AP6417 HOSE ASSY .25' x 432'
- ② AP4164 HOSE ASSY .25' x 384'
- ③ AP19013 HOSE ASSY .313' x 180'
- ④ AP4205 4 HOSE ASSY .313' x 108'

CROSS-TIES REQUIRED FOR STRAIGHT-ACTING JACKS ON BOTH FRONT AND REAR.

NOTE: INSTALLATION MUST CONFORM TO GOOD SHOP PRACTICES, SAE STANDARDS, RVIA STANDARDS, AND OTHER APPLICABLE STANDARDS. LEVELING SYSTEM: AP44211

NO.	DATE	REVISION

THE INFORMATION DISCLOSED IN THIS DRAWING IS CONFIDENTIAL AND MUST NOT BE DISCLOSED OR USED IN ANY MANNER WHICH WILL BE DETRIMENTAL TO THE INH CORPORATION



HWH 1-80 EXT 267 SOUTH
RT 1 MOSCOW, IOWA 52760
SCALE 1:6 DATE 10FEB08 DRAWN BY .
HYD CONN DIAGRAM

PIERCE MFG. DRAWING NUMBER MP70118