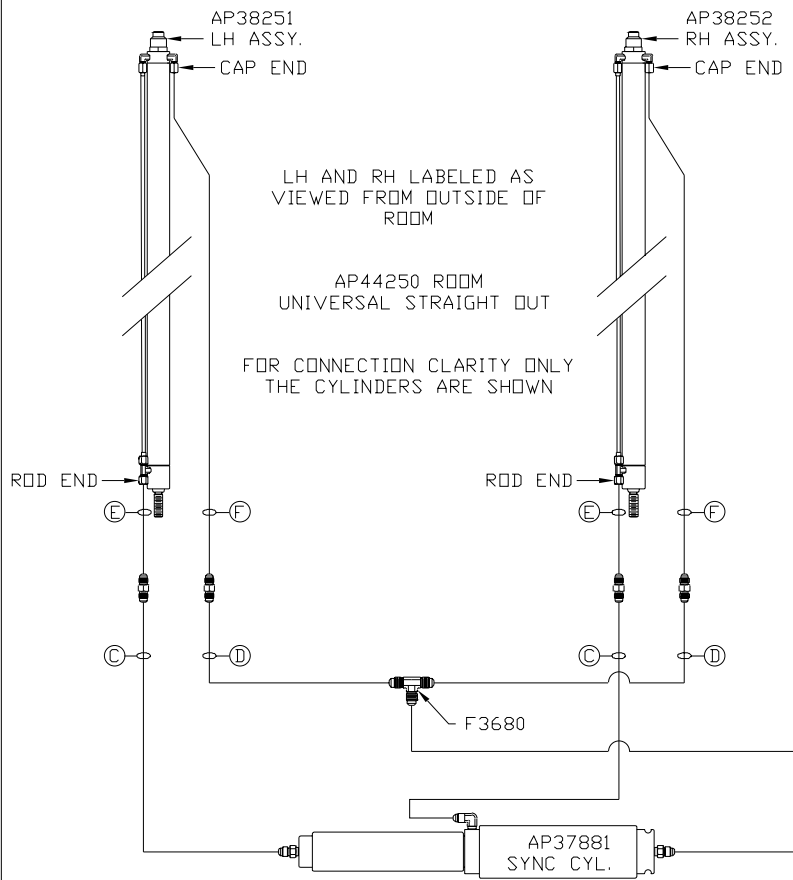


ORIENTATION

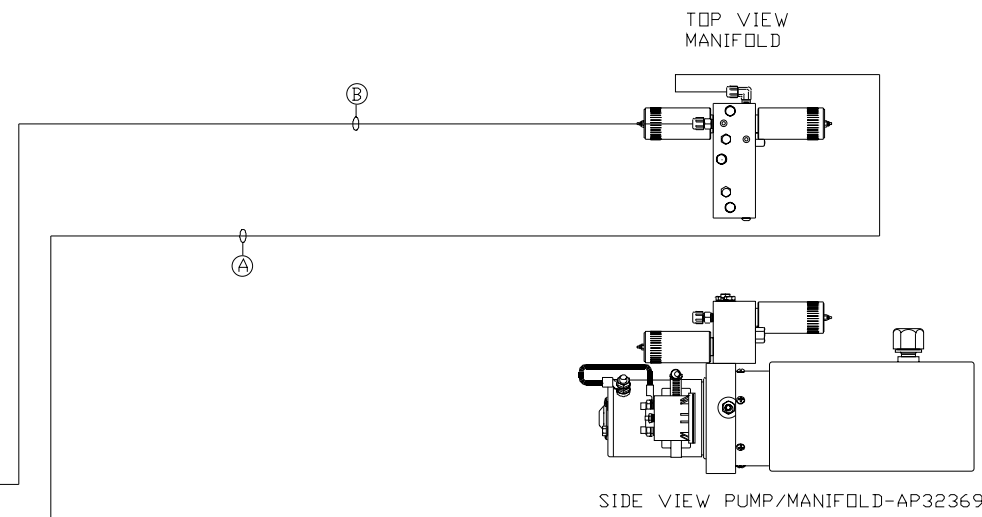
← FRONT



NOTE: HOSES (E) AND (F) ARE INCLUDED WITH THE ROOM EXTENSION MECHANISM

- (A) .25" I.D. HOSE
ROD END - ALWAYS PRESSURIZED
- (B) .25" I.D. HOSE
CAP END
- (C) .125" I.D. HOSE
ROD END - ALWAYS PRESSURIZED - MUST BE HIGH PRESSURE HOSES OF EQUAL LENGTH AND DIAMETER

- (D) .25" I.D. HOSE
CAP END - MUST MAINTAIN EQUAL LENGTH AND DIAMETER
- (E) AP24632 HOSE ASSY HWH02HP x 48"
ROD END - ALWAYS PRESSURIZED - MUST BE HIGH PRESSURE HOSES OF EQUAL LENGTH AND DIAMETER
- (F) AP24818 HOSE ASSY HWH02HP x 86"
CAP END - MUST MAINTAIN EQUAL LENGTH AND DIAMETER



NOTE: INSTALLATION MUST CONFORM TO GOOD SHOP PRACTICES, SAE STANDARDS, RVIA STANDARDS, AND OTHER APPLICABLE STANDARDS. CONTROL PACKAGE: AP44248

		HWH		I-80 EXIT 267 SOUTH RT 1 MOSCOW, IOWA 52760	
		SCALE 1:6	DATE 06MAR09	DRAWN BY .	
		HYD CONN DIAGRAM			
NO.	DATE	REVISION			
		OSHKOSH		DRAWING NUMBER MP70126	
THE INFORMATION DISCLOSED ON THIS DRAWING IS CONFIDENTIAL AND MUST NOT BE DISCLOSED OR USED IN ANY MANNER WHICH WILL BE DETRIMENTAL TO THE HWH CORPORATION					