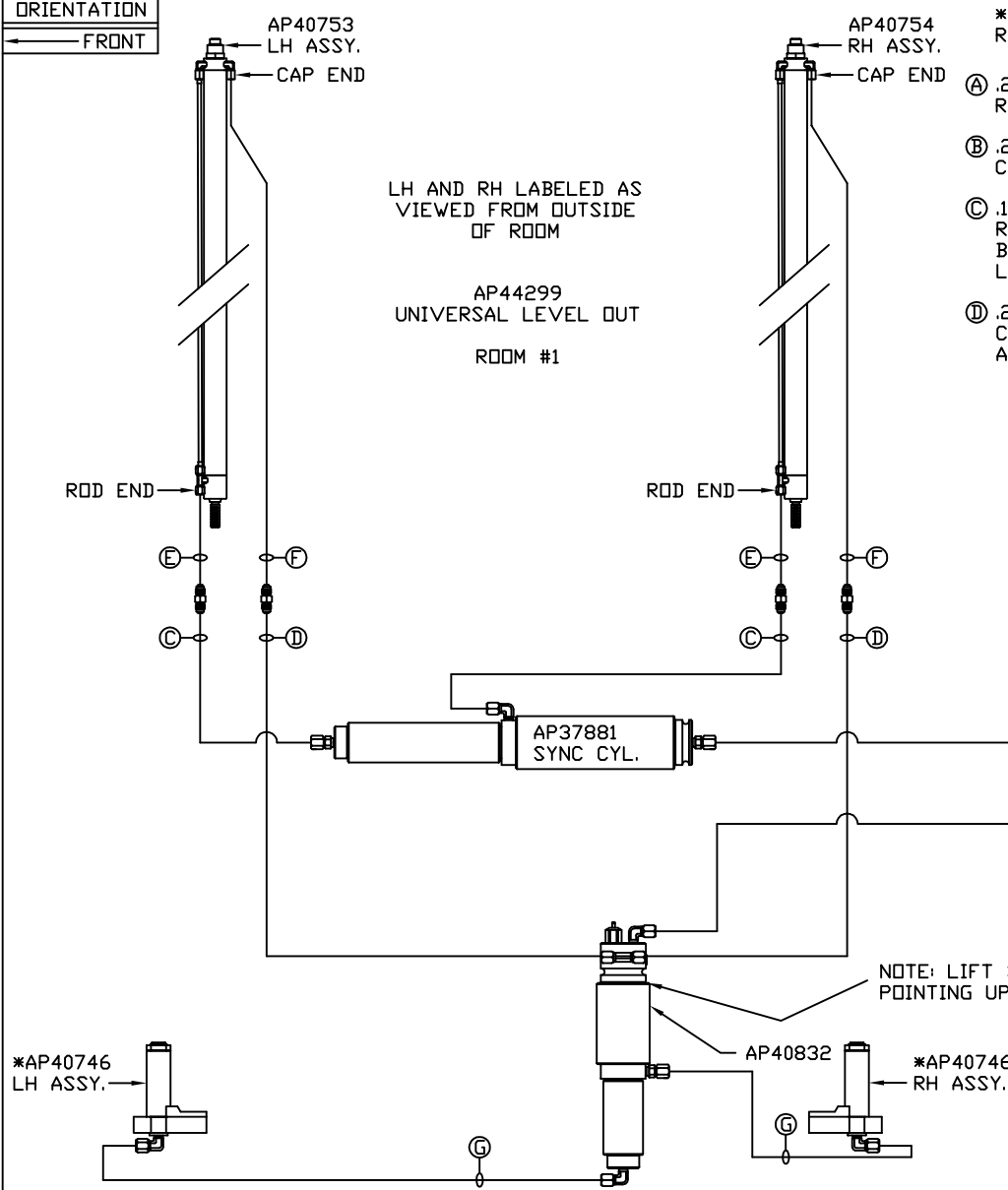


ORIENTATION  
← FRONT



LH AND RH LABELED AS VIEWED FROM OUTSIDE OF ROOM

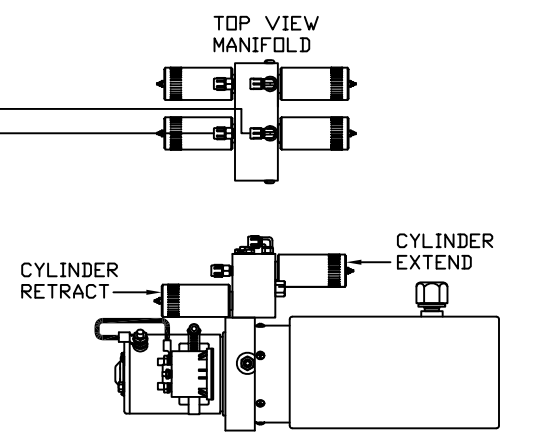
AP44299  
UNIVERSAL LEVEL OUT  
ROOM #1

\*: AP40746 IS PART OF THE ROOM EXTENSION MECHANISM.

- Ⓐ .25" ID HOSE  
ROD END - ALWAYS PRESSURIZED
- Ⓑ .25" ID HOSE  
CAP END
- Ⓒ .125" ID HOSE  
ROD END - ALWAYS PRESSURIZED - MUST BE HIGH PRESSURE HOSES OF EQUAL LENGTH AND DIAMETER
- Ⓓ .25" ID HOSE  
CAP END - MUST MAINTAIN EQUAL LENGTH AND DIAMETER

NOTE: HOSES Ⓔ AND Ⓕ ARE INCLUDED WITH THE ROOM EXTENSION MECHANISM

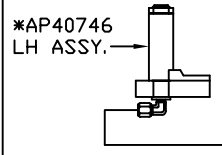
- Ⓔ AP24632 HOSE ASSY HWH02HP x 48"  
ROD END - ALWAYS PRESSURIZED - MUST BE HIGH PRESSURE HOSES OF EQUAL LENGTH AND DIAMETER
- Ⓕ AP24818 HOSE ASSY HWH02HP x 86"  
CAP END - MUST MAINTAIN EQUAL LENGTH AND DIAMETER
- Ⓖ .125" ID HOSE  
CAP END - MUST BE HIGH PRESSURE HOSES OF EQUAL LENGTH AND DIAMETER



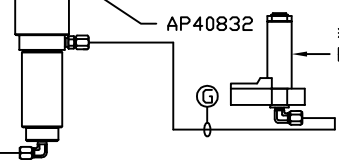
SIDE VIEW PUMP/MANIFOLD - AP36692

LOCATION AND ORIENTATION OF PUMP/MANIFOLD ASSEMBLY WILL DIFFER DEPENDING UPON O.E.M.

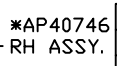
NOTE: LIFT SYNC MUST BE MOUNTED WITH THE CAP END POINTING UP.



\*AP40746  
LH ASSY.



AP40832



\*AP40746  
RH ASSY.

NOTE: INSTALLATION MUST CONFORM TO GOOD SHOP PRACTICES, SAE STANDARDS, RVIA STANDARDS, AND OTHER APPLICABLE STANDARDS.

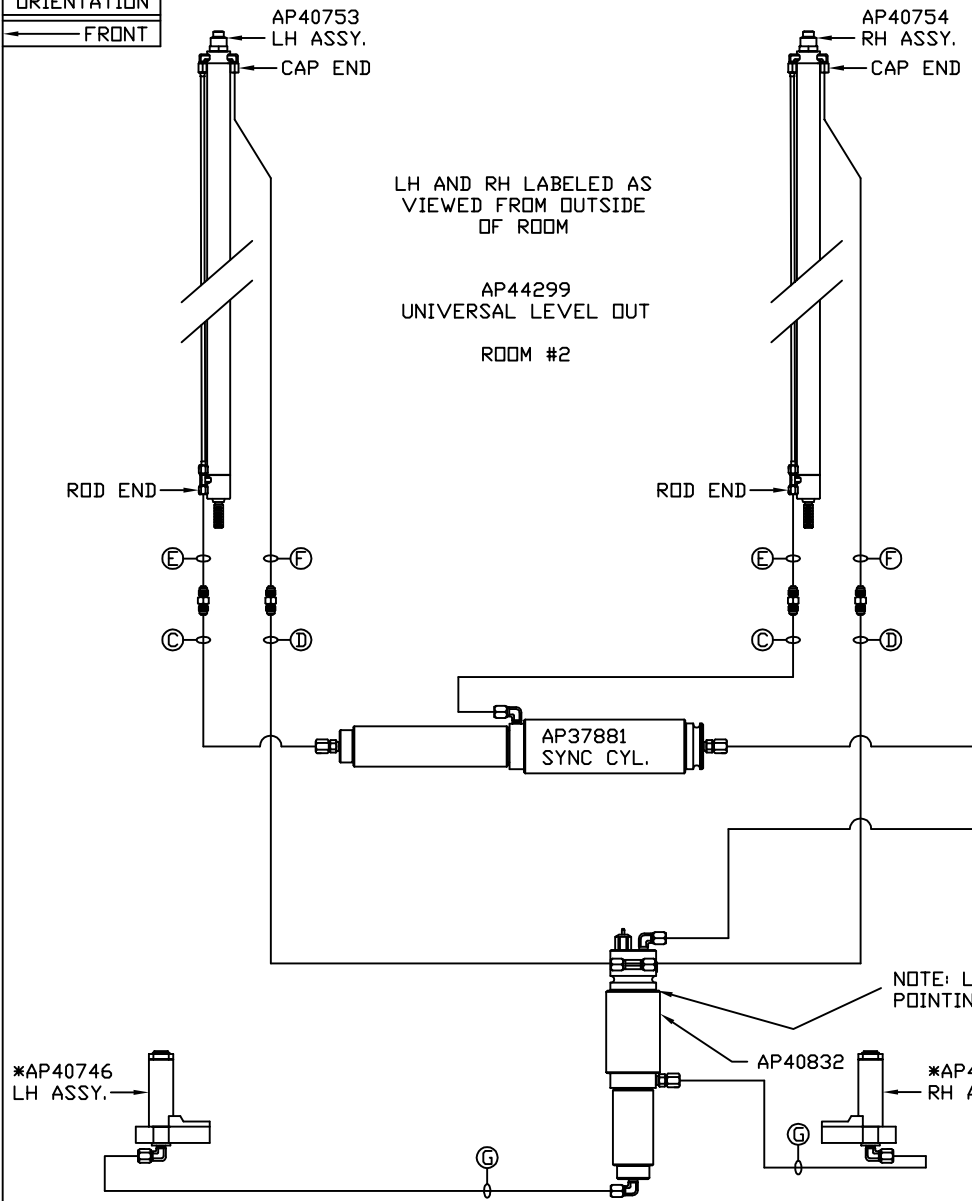
CONTROL PKG: AP44297

NO.	DATE	REVISION

THE INFORMATION DISCLOSED ON THIS DRAWING IS CONFIDENTIAL AND MUST NOT BE DISCLOSED OR USED IN ANY MANNER WHICH WILL BE DETRIMENTAL TO THE HWH CORPORATION

HWH		I-80 EXIT 267 SOUTH RT 1 MOSCOW, IOWA 52760	
SCALE 1:6	DATE 26MAR09	DRAWN BY .	
HYD CONN DIAGRAM			
RACE TRAILER			DRAWING NUMBER MP70129 A/B

ORIENTATION  
← FRONT



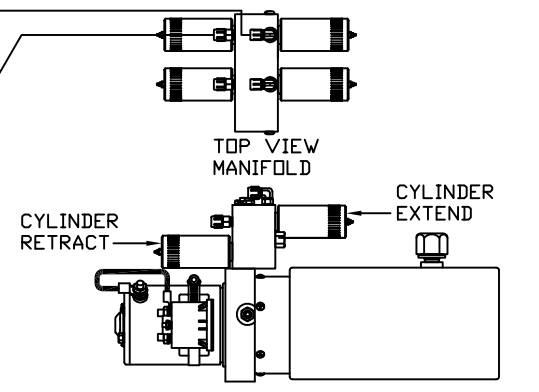
LH AND RH LABELED AS VIEWED FROM OUTSIDE OF ROOM  
AP44299  
UNIVERSAL LEVEL OUT  
ROOM #2

\*: AP40746 IS PART OF THE ROOM EXTENSION MECHANISM.

- Ⓐ .25" ID HOSE  
ROD END - ALWAYS PRESSURIZED
- Ⓑ .25" ID HOSE  
CAP END
- Ⓒ .125" ID HOSE  
ROD END - ALWAYS PRESSURIZED - MUST BE HIGH PRESSURE HOSES OF EQUAL LENGTH AND DIAMETER
- Ⓓ .25" ID HOSE  
CAP END - MUST MAINTAIN EQUAL LENGTH AND DIAMETER

NOTE: HOSES Ⓔ AND Ⓕ ARE INCLUDED WITH THE ROOM EXTENSION MECHANISM

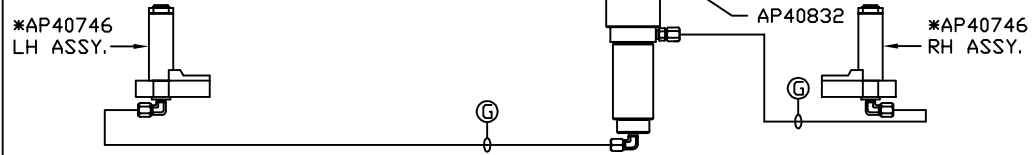
- Ⓔ AP24632 HOSE ASSY HWH02HP x 48"  
ROD END - ALWAYS PRESSURIZED - MUST BE HIGH PRESSURE HOSES OF EQUAL LENGTH AND DIAMETER
- Ⓕ AP24818 HOSE ASSY HWH02HP x 86"  
CAP END - MUST MAINTAIN EQUAL LENGTH AND DIAMETER
- Ⓖ .125" ID HOSE  
CAP END - MUST BE HIGH PRESSURE HOSES OF EQUAL LENGTH AND DIAMETER



SIDE VIEW PUMP/MANIFOLD - AP36692

LOCATION AND ORIENTATION OF PUMP/MANIFOLD ASSEMBLY WILL DIFFER DEPENDING UPON O.E.M.

NOTE: LIFT SYNC MUST BE MOUNTED WITH THE CAP END POINTING UP.



NOTE: INSTALLATION MUST CONFORM TO GOOD SHOP PRACTICES, SAE STANDARDS, RVIA STANDARDS, AND OTHER APPLICABLE STANDARDS.