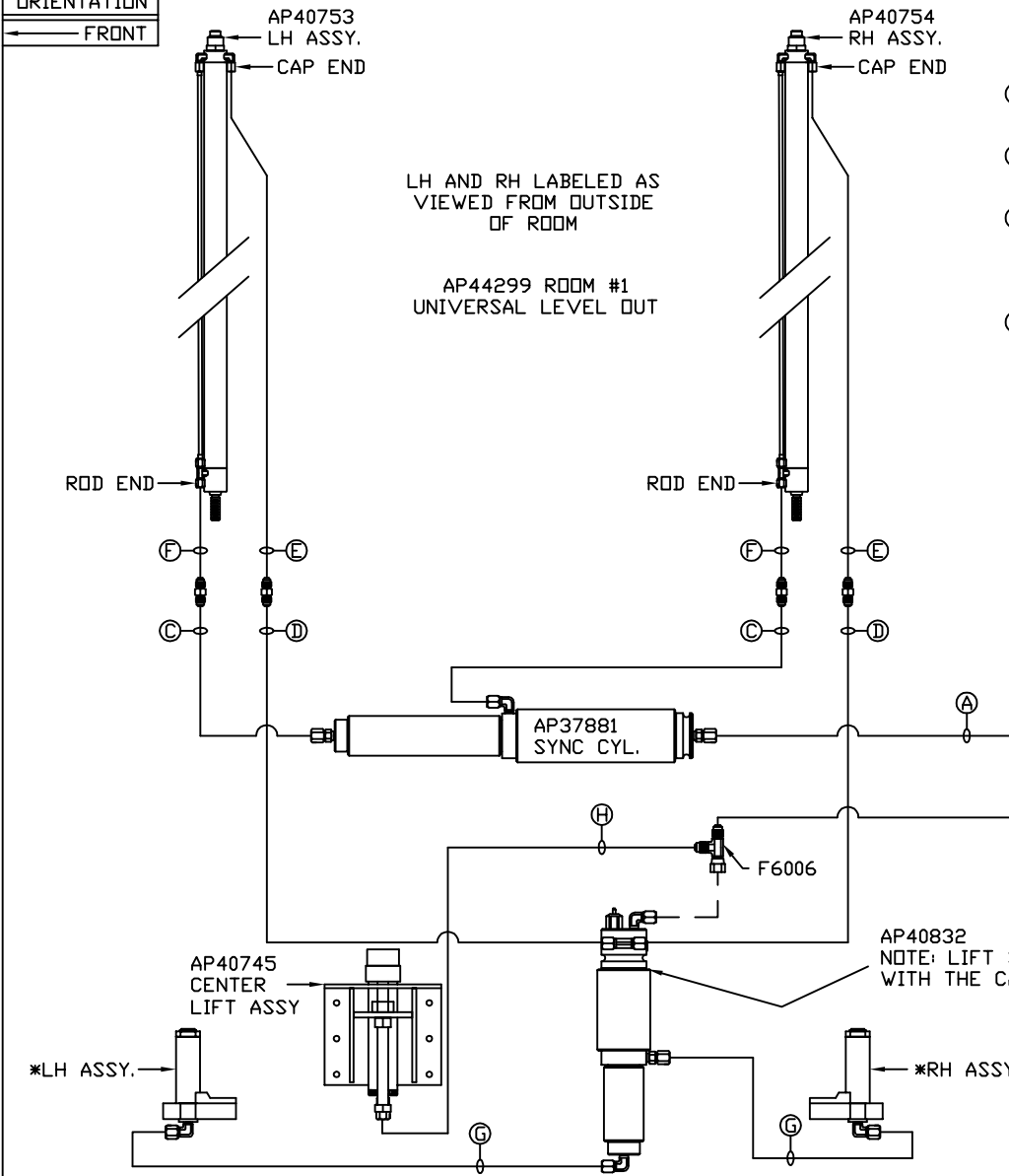


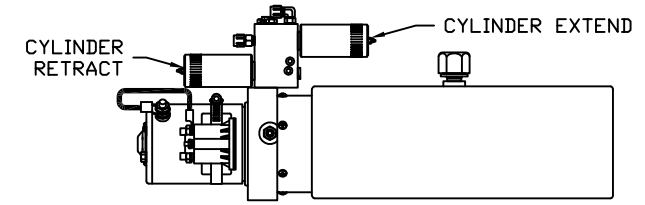
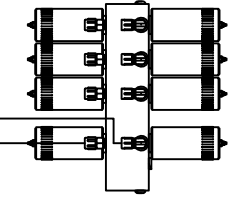
ORIENTATION
← FRONT



- *: PART OF THE ROOM EXTENSION MECHANISM.
- Ⓐ .25" ID HOSE
ROD END - ALWAYS PRESSURIZED
 - Ⓑ .25" ID HOSE
CAP END
 - Ⓒ .125" ID HOSE
ROD END - ALWAYS PRESSURIZED - MUST BE HIGH PRESSURE HOSES OF EQUAL LENGTH AND DIAMETER
 - Ⓓ .25" ID HOSE
CAP END - MUST MAINTAIN EQUAL LENGTH AND DIAMETER

- NOTE: HOSES Ⓔ AND Ⓕ ARE INCLUDED WITH THE ROOM EXTENSION MECHANISM.
- Ⓔ AP24818 HOSE ASSY HWH02HP x 86"
CAP END - MUST MAINTAIN EQUAL LENGTH AND DIAMETER
 - Ⓕ AP24632 HOSE ASSY HWH02HP x 48"
ROD END - ALWAYS PRESSURIZED - MUST BE HIGH PRESSURE HOSES OF EQUAL LENGTH AND DIAMETER
 - Ⓖ .125" ID HOSE
CAP END - MUST BE HIGH PRESSURE HOSES OF EQUAL LENGTH AND DIAMETER
 - Ⓗ .25" ID HOSE
CAP END

TOP VIEW-MANIFOLD



SIDE VIEW PUMP/MANIFOLD-AP39434

LOCATION AND ORIENTATION OF PUMP/MANIFOLD ASSEMBLY WILL DIFFER DEPENDING UPON D.E.M.

NOTE: INSTALLATION MUST CONFORM TO GOOD SHOP PRACTICES, SAE STANDARDS, RVIA STANDARDS, AND OTHER APPLICABLE STANDARDS.

CONTROL PACKAGE: AP44870

NO.	DATE	REVISION

THE INFORMATION DISCLOSED ON THIS DRAWING IS CONFIDENTIAL AND MUST NOT BE DISCLOSED OR USED IN ANY MANNER WHICH WILL BE DETRIMENTAL TO THE HWH CORPORATION

HWH			I-80 EXIT 267 SOUTH RT 1 MOSCOW, IOWA 52760		
SCALE 1:6	DATE 11JUN09	DRAWN BY .			
HYD CONN DIAGRAM					
RACE TRAILER				DRAWING NUMBER MP70168 A/D	

ORIENTATION

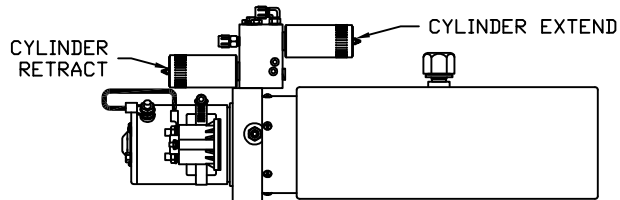
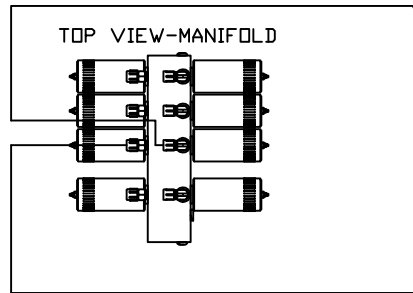
← FRONT

*: PART OF THE ROOM EXTENSION MECHANISM.

NOTE: HOSES (E) AND (F) ARE INCLUDED WITH THE ROOM EXTENSION MECHANISM.

- (A) .25" ID HOSE
ROD END - ALWAYS PRESSURIZED
- (B) .25" ID HOSE
CAP END
- (C) .125" ID HOSE
ROD END - ALWAYS PRESSURIZED - MUST BE HIGH PRESSURE HOSES OF EQUAL LENGTH AND DIAMETER
- (D) .25" ID HOSE
CAP END - MUST MAINTAIN EQUAL LENGTH AND DIAMETER

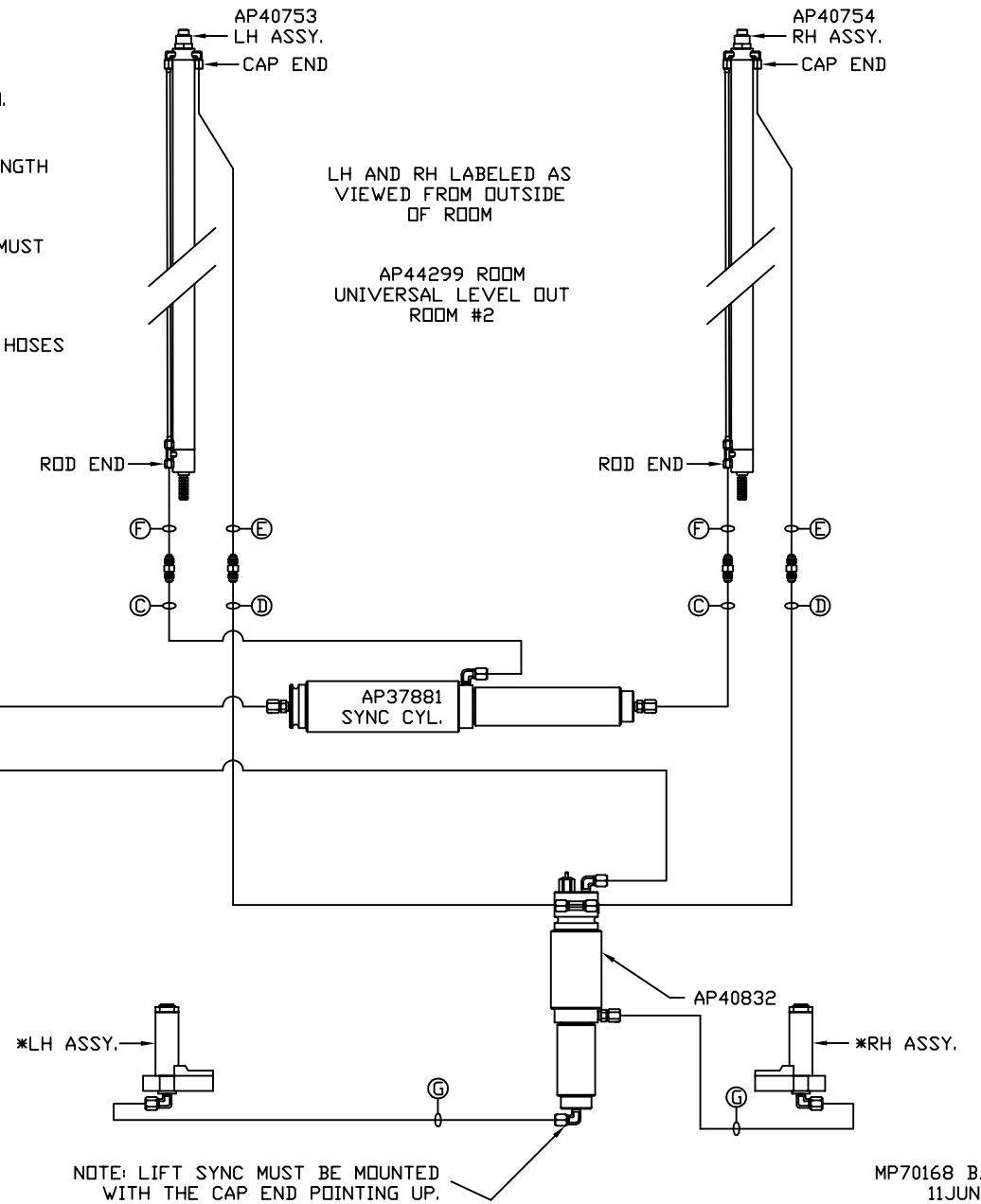
- (E) AP24818 HOSE ASSY HWH02HP x 86"
CAP END - MUST MAINTAIN EQUAL LENGTH AND DIAMETER
- (F) AP24632 HOSE ASSY HWH02HP x 48"
ROD END - ALWAYS PRESSURIZED - MUST BE HIGH PRESSURE HOSES OF EQUAL LENGTH AND DIAMETER
- (G) .125" ID HOSE
CAP END - MUST BE HIGH PRESSURE HOSES OF EQUAL LENGTH AND DIAMETER



SIDE VIEW PUMP/MANIFOLD-AP39434

LOCATION AND ORIENTATION OF PUMP/MANIFOLD ASSEMBLY WILL DIFFER DEPENDING UPON D.E.M.

NOTE: INSTALLATION MUST CONFORM TO GOOD SHOP PRACTICES, SAE STANDARDS, RVIA STANDARDS, AND OTHER APPLICABLE STANDARDS.



ORIENTATION

← FRONT

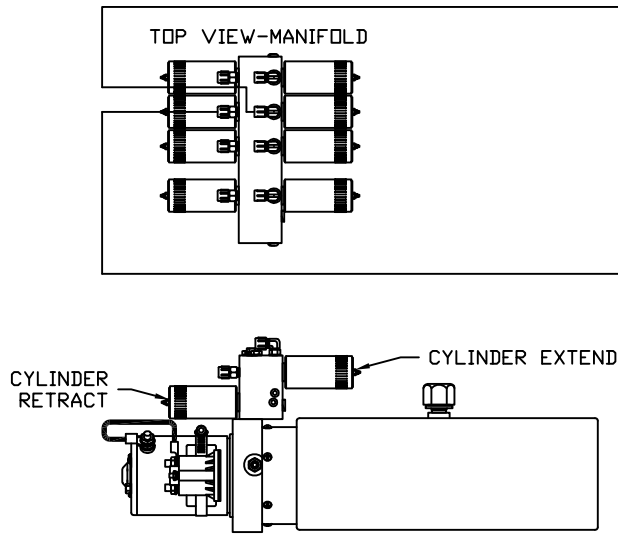
*: PART OF THE ROOM EXTENSION MECHANISM.

NOTE: HOSES (E) AND (F) ARE INCLUDED WITH THE ROOM EXTENSION MECHANISM.

NOTE: HOSES (E) AND (F) ARE INCLUDED WITH THE ROOM EXTENSION MECHANISM

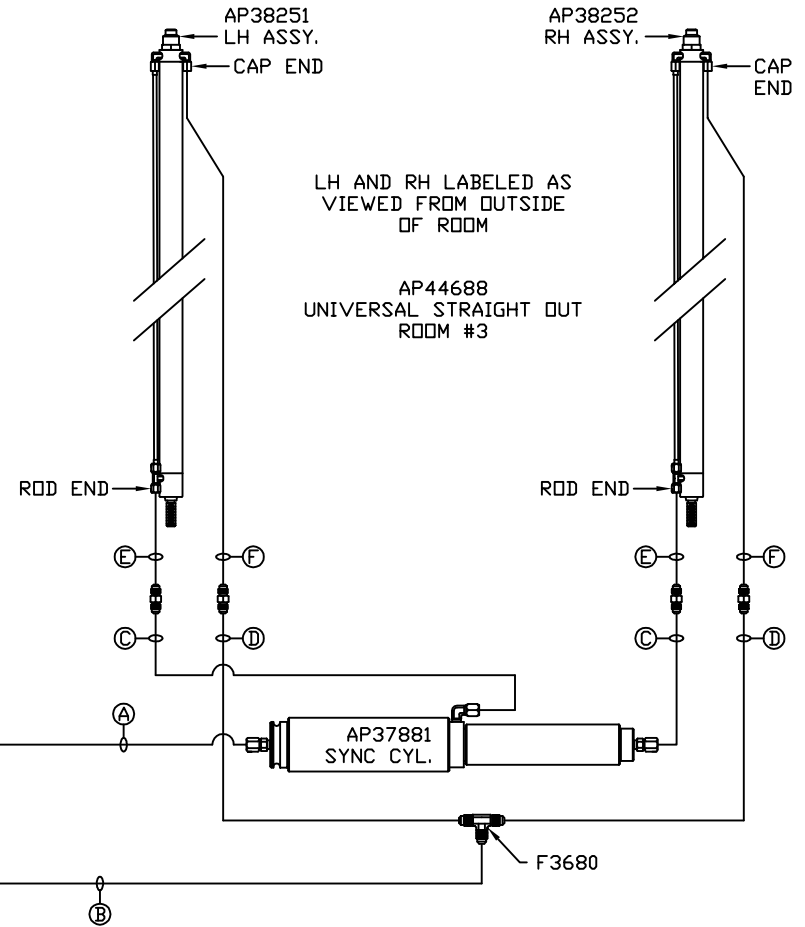
- (A) .25" ID HOSE
ROD END - ALWAYS PRESSURIZED
- (B) .25" ID HOSE
CAP END
- (C) .125" ID HOSE
ROD END - ALWAYS PRESSURIZED - MUST BE HIGH PRESSURE HOSES OF EQUAL LENGTH AND DIAMETER
- (D) .25" ID HOSE
CAP END - MUST MAINTAIN EQUAL LENGTH AND DIAMETER

- (E) AP24818 HOSE ASSY HWH02HP x 86"
CAP END - MUST MAINTAIN EQUAL LENGTH AND DIAMETER
- (F) AP24632 HOSE ASSY HWH02HP x 48"
ROD END - ALWAYS PRESSURIZED - MUST BE HIGH PRESSURE HOSES OF EQUAL LENGTH AND DIAMETER



SIDE VIEW PUMP/MANIFOLD-AP39434

LOCATION AND ORIENTATION OF PUMP/MANIFOLD ASSEMBLY WILL DIFFER DEPENDING UPON D.E.M.



NOTE: INSTALLATION MUST CONFORM TO GOOD SHOP PRACTICES, SAE STANDARDS, RVIA STANDARDS, AND OTHER APPLICABLE STANDARDS.

ORIENTATION

← FRONT

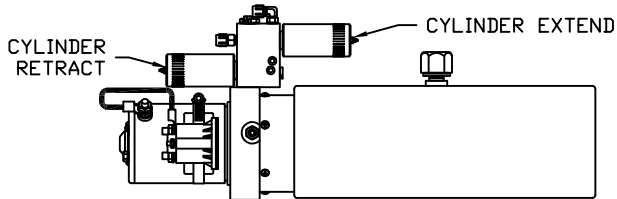
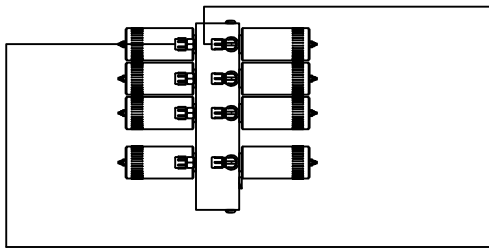
*: PART OF THE ROOM EXTENSION MECHANISM.

NOTE: HOSES (E) AND (F) ARE INCLUDED WITH THE ROOM EXTENSION MECHANISM.

- (A) .25" ID HOSE
ROD END - ALWAYS PRESSURIZED
- (B) .25" ID HOSE
CAP END
- (C) .125" ID HOSE
ROD END - ALWAYS PRESSURIZED - MUST BE HIGH PRESSURE HOSES OF EQUAL LENGTH AND DIAMETER
- (D) .25" ID HOSE
CAP END - MUST MAINTAIN EQUAL LENGTH AND DIAMETER

- (E) AP24818 HOSE ASSY HWH02HP x 86"
CAP END - MUST MAINTAIN EQUAL LENGTH AND DIAMETER
- (F) AP24632 HOSE ASSY HWH02HP x 48"
ROD END - ALWAYS PRESSURIZED - MUST BE HIGH PRESSURE HOSES OF EQUAL LENGTH AND DIAMETER
- (G) .125" ID HOSE
CAP END - MUST BE HIGH PRESSURE HOSES OF EQUAL LENGTH AND DIAMETER
- (H) .25" ID HOSE
CAP END

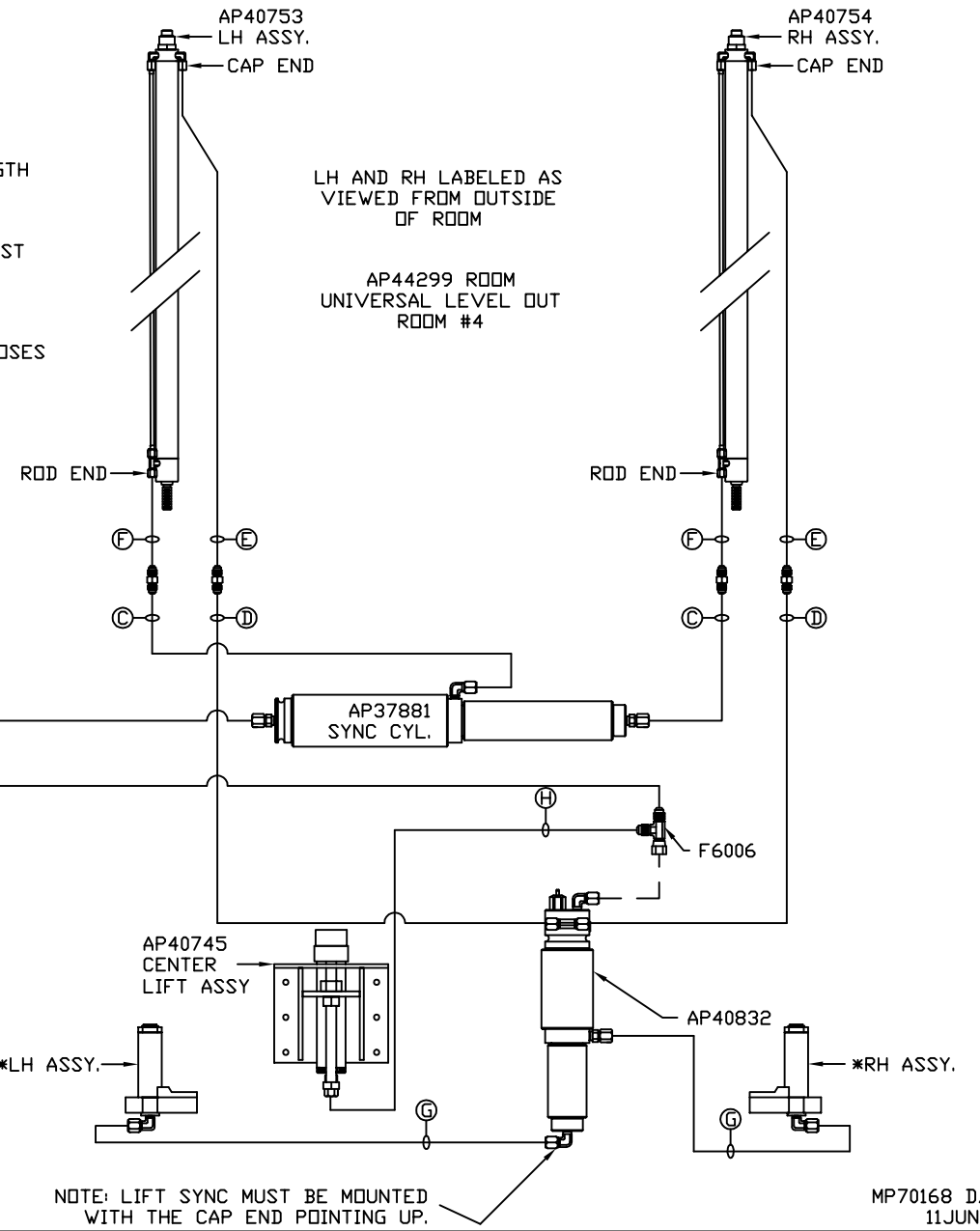
TOP VIEW-MANIFOLD



SIDE VIEW PUMP/MANIFOLD-AP39434

LOCATION AND ORIENTATION OF PUMP/MANIFOLD ASSEMBLY WILL DIFFER DEPENDING UPON O.E.M.

NOTE: INSTALLATION MUST CONFORM TO GOOD SHOP PRACTICES, SAE STANDARDS, RVIA STANDARDS, AND OTHER APPLICABLE STANDARDS.



LH AND RH LABELED AS VIEWED FROM OUTSIDE OF ROOM

AP44299 ROOM
UNIVERSAL LEVEL OUT
ROOM #4

NOTE: LIFT SYNC MUST BE MOUNTED WITH THE CAP END POINTING UP.