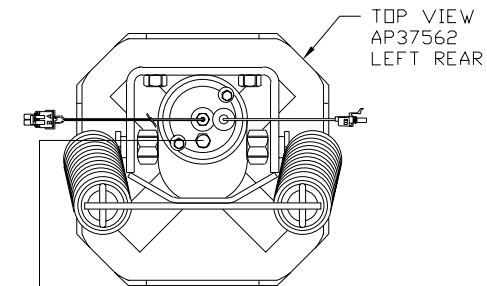
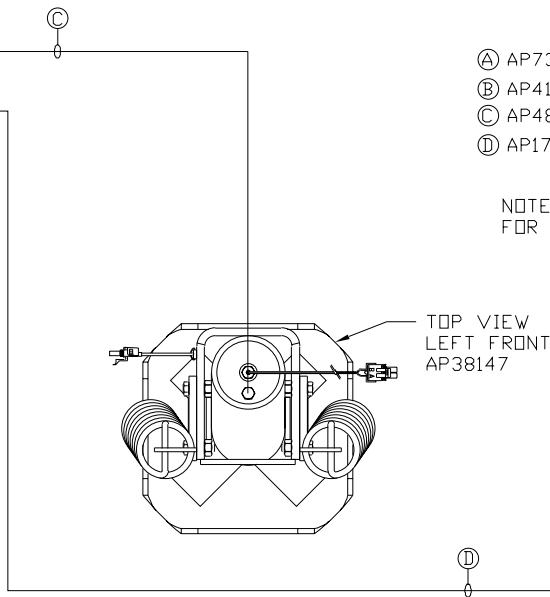
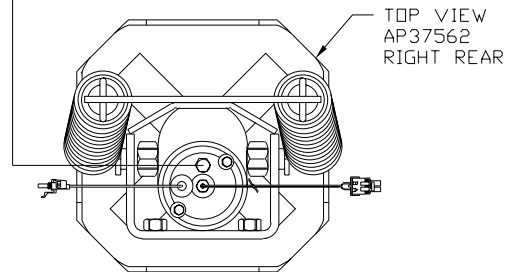
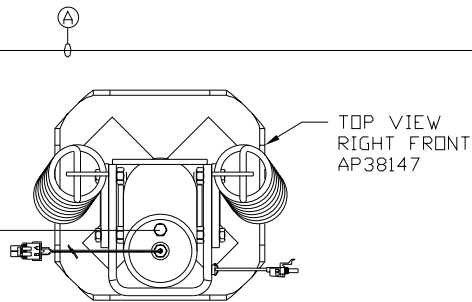


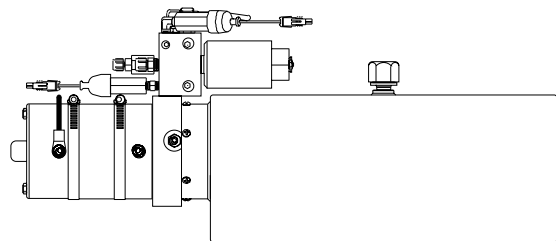
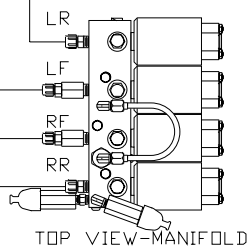
ORIENTATION

← FRONT



- Ⓐ AP7315 HOSE ASSY .313" x 432"
- Ⓑ AP4162 HOSE ASSY .25" x 192"
- Ⓒ AP4827 HOSE ASSY .25" x 144"
- Ⓓ AP17477 HOSE ASSY .313" x 348"

NOTE: CROSS TIES REQUIRED FOR FRONT AND REAR JACKS



SIDE VIEW PUMP/MANIFOLD-AP37960

LOCATION AND ORIENTATION OF PUMP/MANIFOLD ASSEMBLY WILL DIFFER DEPENDING UPON O.E.M.

NOTE: INSTALLATION MUST CONFORM TO GOOD SHOP PRACTICES, SAE STANDARDS, RVIA STANDARDS, AND OTHER APPLICABLE STANDARDS.

LEVELING SYSTEM: AP45483

NO.	DATE	REVISION

THE INFORMATION DISCLOSED ON THIS DRAWING IS CONFIDENTIAL AND MUST NOT BE DISCLOSED OR USED IN ANY MANNER WHICH WILL BE DETRIMENTAL TO THE HWH CORPORATION

HWH I-80 EXIT 267 SOUTH
RT 1 MOSCOW, IOWA 52760

SCALE 1:6 DATE 28OCT09 DRAWN BY .

HYD CONN DIAGRAM

A&C INT'L DRAWING NUMBER MP70199