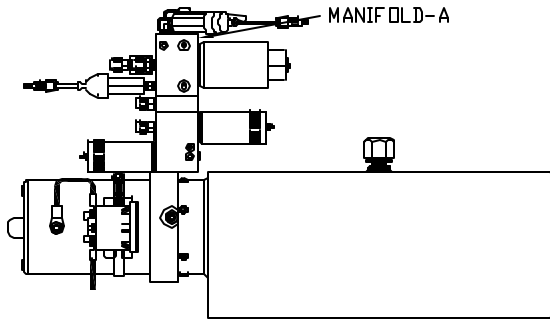
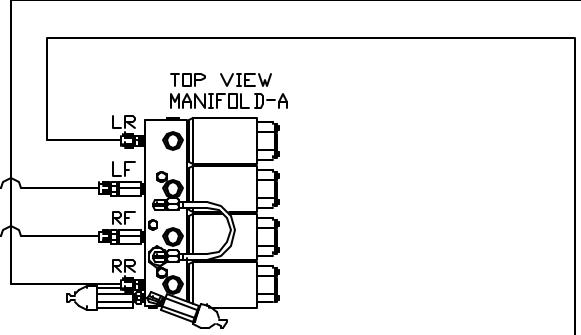
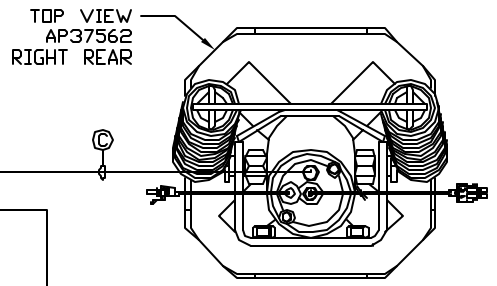
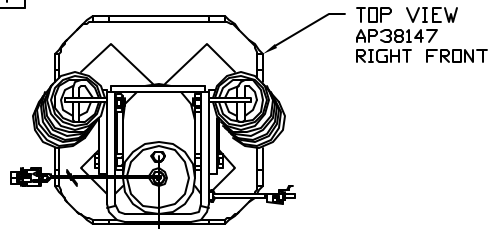
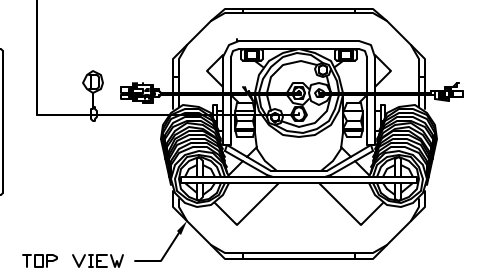
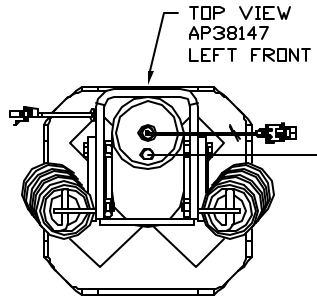


ORIENTATION
 FRONT



- Ⓐ AP6115 HOSE ASSY .25' x 168'
- Ⓑ AP4310 HOSE ASSY .25' x 204'
- Ⓒ AP24985 HOSE ASSY .313' x 264'
- Ⓓ AP6638 HOSE ASSY .313' x 300'

NOTE: CROSS-TIES REQUIRED FOR STRAIGHT-ACTING JACKS ON BOTH FRONT AND REAR.



LOCATION AND ORIENTATION OF PUMP/MANIFOLD ASSEMBLY WILL DIFFER DEPENDING UPON O.E.M.

NOTE: INSTALLATION MUST CONFORM TO GOOD SHOP PRACTICES, SAE STANDARDS, RVIA STANDARDS, AND OTHER APPLICABLE STANDARDS.

LEVELING SYSTEM: AP45671

NO.	DATE	REVISION

HWH I-80 EXIT 267 SOUTH
 RT 1 MOSCOW, IDWA 52760
 SCALE 1:6 DATE 05FEB10 DRAWN BY .

HYD CONN DIAGRAM

THE INFORMATION DISCLOSED ON THIS DRAWING IS CONFIDENTIAL AND MUST NOT BE DISCLOSED OR USED IN ANY MANNER WHICH WILL BE DETRIMENTAL TO THE HWH CORPORATION

CUSTOM TRUCK

DRAWING NUMBER
 MP70227 A/D

ORIENTATION
 FRONT

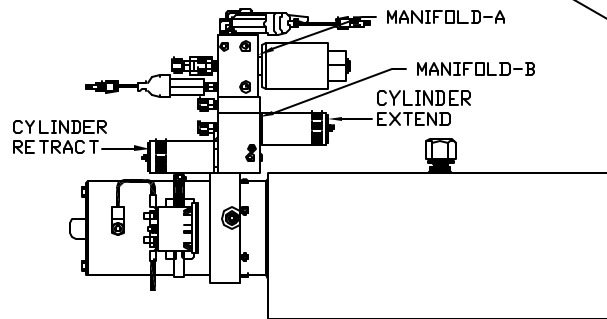
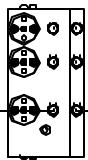
*1 PART OF THE ROOM
 EXTENSION MECHANISM.

- Ⓐ AP4074 HOSE ASSY .25' x 108'
 ROD END - ALWAYS PRESSURIZED
- Ⓑ AP5352 HOSE ASSY .25 x 96'
 CAP END
- Ⓒ AP24640 HOSE ASSY HWH02HP x 108'
 ROD END - ALWAYS PRESSURIZED - MUST
 BE HIGH PRESSURE HOSES OF EQUAL
 LENGTH AND DIAMETER
- Ⓓ AP4161 HOSE ASSY .25 x 120'
 CAP END - MUST MAINTAIN EQUAL LENGTH
 AND DIAMETER

NOTE: HOSES Ⓒ AND Ⓓ ARE INCLUDED
 WITH THE ROOM EXTENSION MECHANISM.

- Ⓔ AP24818 HOSE ASSY HWH02HP x 86'
 CAP END - MUST MAINTAIN EQUAL LENGTH
 AND DIAMETER
- Ⓕ AP24632 HOSE ASSY HWH02HP x 48'
 ROD END - ALWAYS PRESSURIZED - MUST
 BE HIGH PRESSURE HOSES OF EQUAL
 LENGTH AND DIAMETER
- Ⓖ AP24644 HOSE ASSY HWH02HP x 132'
 CAP END - MUST BE HIGH PRESSURE HOSES
 OF EQUAL LENGTH AND DIAMETER

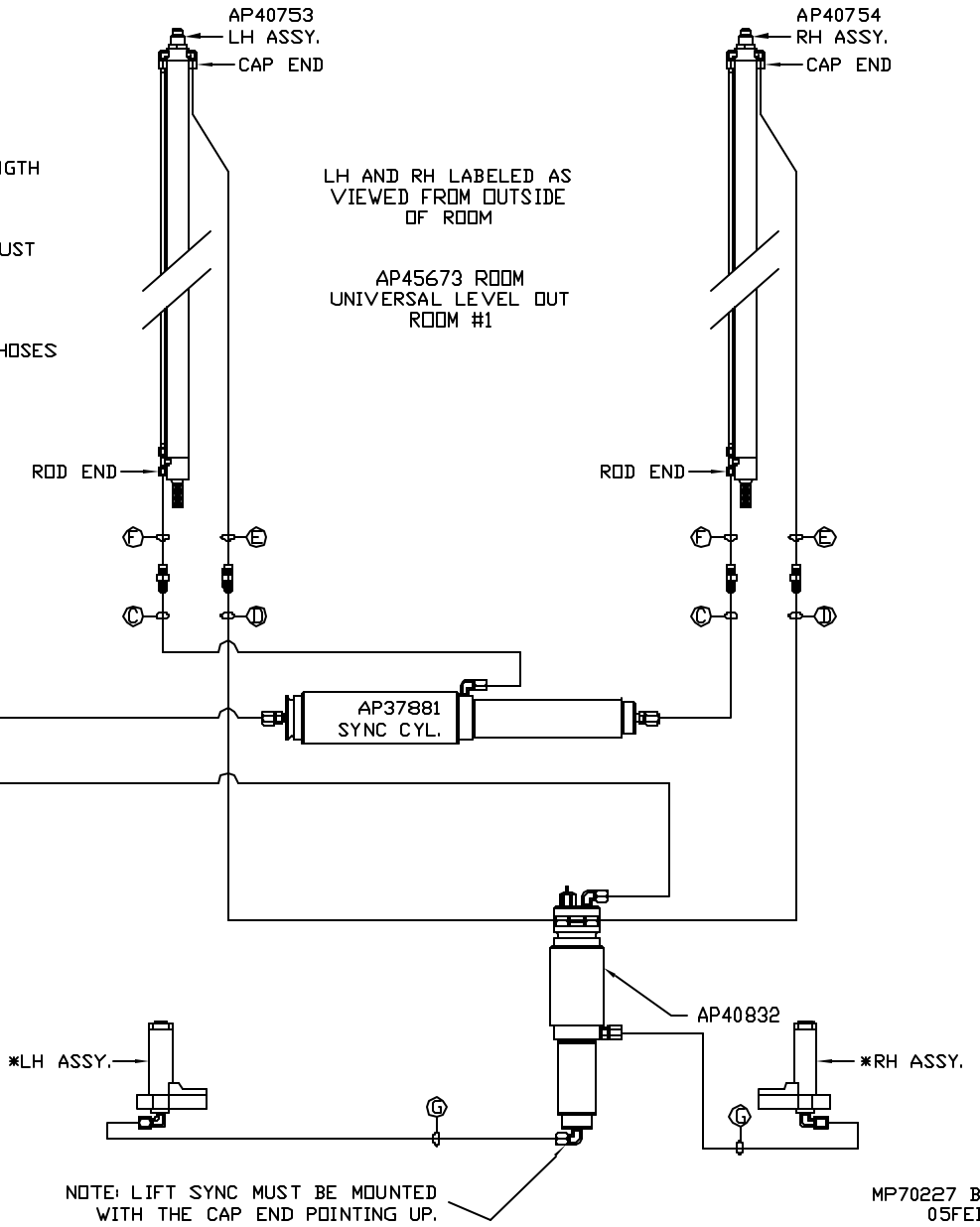
FRONT VIEW
 MANIFOLD-B



SIDE VIEW PUMP/MANIFOLD-AP38238

LOCATION AND ORIENTATION OF
 PUMP/MANIFOLD ASSEMBLY WILL
 DIFFER DEPENDING UPON O.E.M.

NOTE: INSTALLATION MUST CONFORM TO GOOD SHOP PRACTICES, SAE
 STANDARDS, RVIA STANDARDS, AND OTHER APPLICABLE STANDARDS.



NOTE: LIFT SYNC MUST BE MOUNTED
 WITH THE CAP END POINTING UP.

ORIENTATION
 ← FRONT

*1 PART OF THE ROOM EXTENSION MECHANISM.

Ⓐ AP5216 HOSE ASSY .25" x 312"
 ROD END - ALWAYS PRESSURIZED

Ⓑ AP4064 HOSE ASSY .25" x 300"
 CAP END

Ⓒ AP25348 HOSE ASSY HWH02HP x 138"
 ROD END - ALWAYS PRESSURIZED - MUST BE HIGH PRESSURE HOSES OF EQUAL LENGTH AND DIAMETER

Ⓓ AP4161 HOSE ASSY .25" x 120"
 CAP END - MUST MAINTAIN EQUAL LENGTH AND DIAMETER

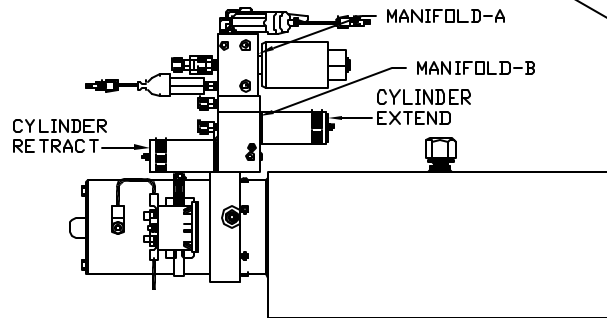
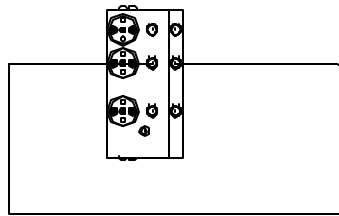
NOTE: HOSES Ⓒ AND Ⓓ ARE INCLUDED WITH THE ROOM EXTENSION MECHANISM.

Ⓔ AP24818 HOSE ASSY HWH02HP x 86"
 CAP END - MUST MAINTAIN EQUAL LENGTH AND DIAMETER

Ⓕ AP24632 HOSE ASSY HWH02HP x 48"
 ROD END - ALWAYS PRESSURIZED - MUST BE HIGH PRESSURE HOSES OF EQUAL LENGTH AND DIAMETER

Ⓖ AP24644 HOSE ASSY HWH02HP x 132"
 CAP END - MUST BE HIGH PRESSURE HOSES OF EQUAL LENGTH AND DIAMETER

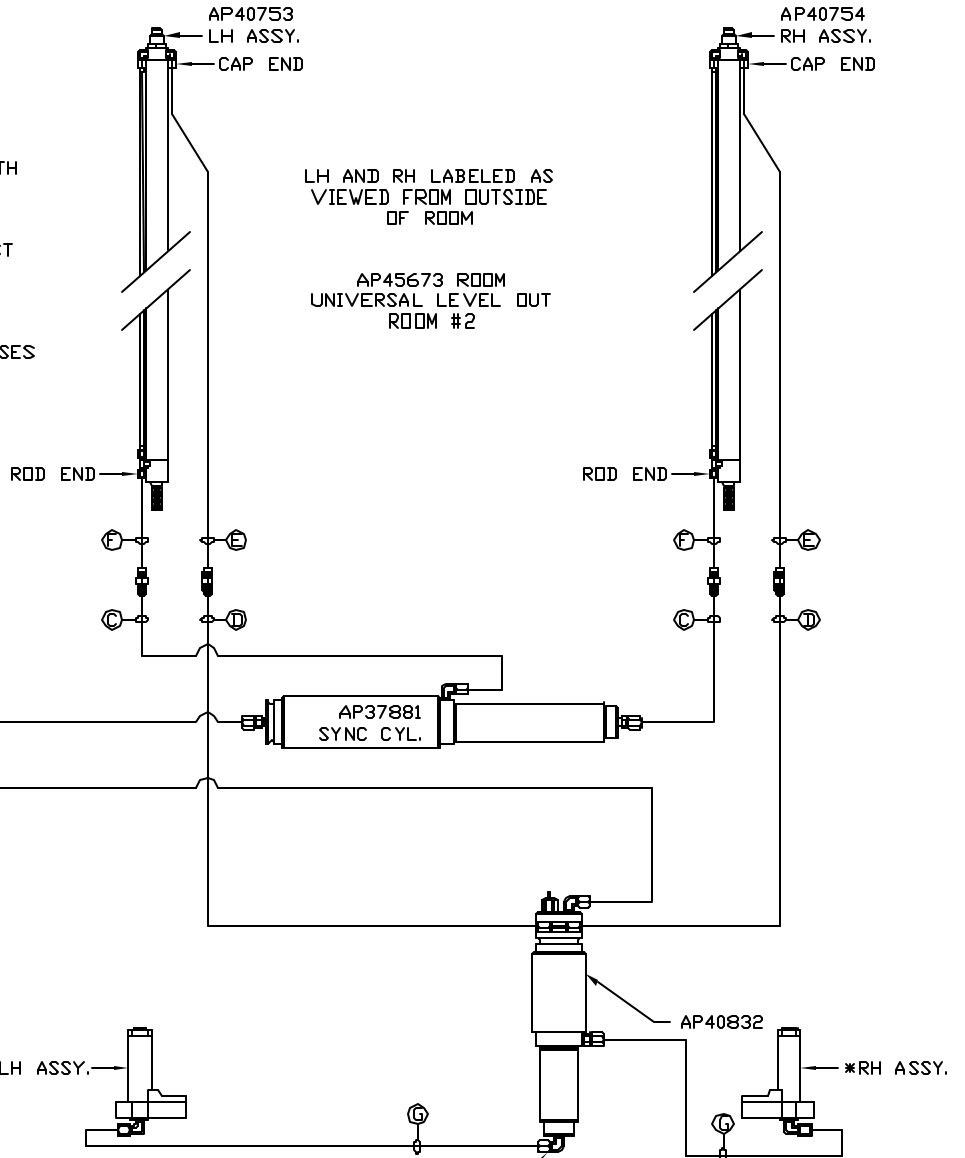
FRONT VIEW
 MANIFOLD-B



SIDE VIEW PUMP/MANIFOLD-AP38238

LOCATION AND ORIENTATION OF PUMP/MANIFOLD ASSEMBLY WILL DIFFER DEPENDING UPON O.E.M.

NOTE: INSTALLATION MUST CONFORM TO GOOD SHOP PRACTICES, SAE STANDARDS, RVIA STANDARDS, AND OTHER APPLICABLE STANDARDS.



LH AND RH LABELED AS VIEWED FROM OUTSIDE OF ROOM

AP45673 ROOM
 UNIVERSAL LEVEL OUT
 ROOM #2

*LH ASSY.

*RH ASSY.

NOTE: LIFT SYNC MUST BE MOUNTED WITH THE CAP END POINTING UP.

ORIENTATION
 FRONT

*1 PART OF THE ROOM
 EXTENSION MECHANISM.

(A) AP5562 HOSE ASSY .25" x 276"
 ROD END - ALWAYS PRESSURIZED

(B) AP6216 HOSE ASSY .25" x 264"
 CAP END

(C) AP24642 HOSE ASSY HWH02HP x 120"
 ROD END - ALWAYS PRESSURIZED - MUST
 BE HIGH PRESSURE HOSES OF EQUAL
 LENGTH AND DIAMETER

(D) AP4161 HOSE ASSY .25" x 120"
 CAP END - MUST MAINTAIN EQUAL LENGTH
 AND DIAMETER

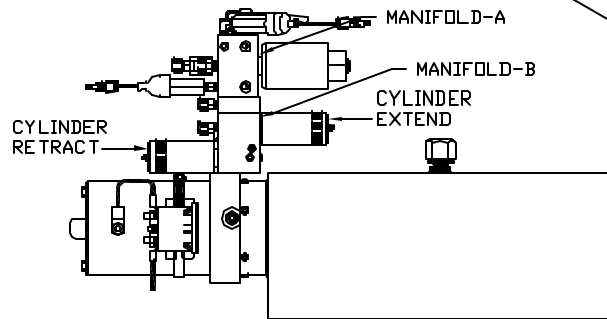
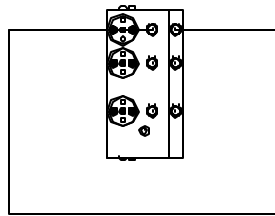
NOTE: HOSES (C) AND (D) ARE INCLUDED
 WITH THE ROOM EXTENSION MECHANISM.

(E) AP24818 HOSE ASSY HWH02HP x 86"
 CAP END - MUST MAINTAIN EQUAL LENGTH
 AND DIAMETER

(F) AP24632 HOSE ASSY HWH02HP x 48"
 ROD END - ALWAYS PRESSURIZED - MUST
 BE HIGH PRESSURE HOSES OF EQUAL
 LENGTH AND DIAMETER

(G) AP24644 HOSE ASSY HWH02HP x 132"
 CAP END - MUST BE HIGH PRESSURE HOSES
 OF EQUAL LENGTH AND DIAMETER

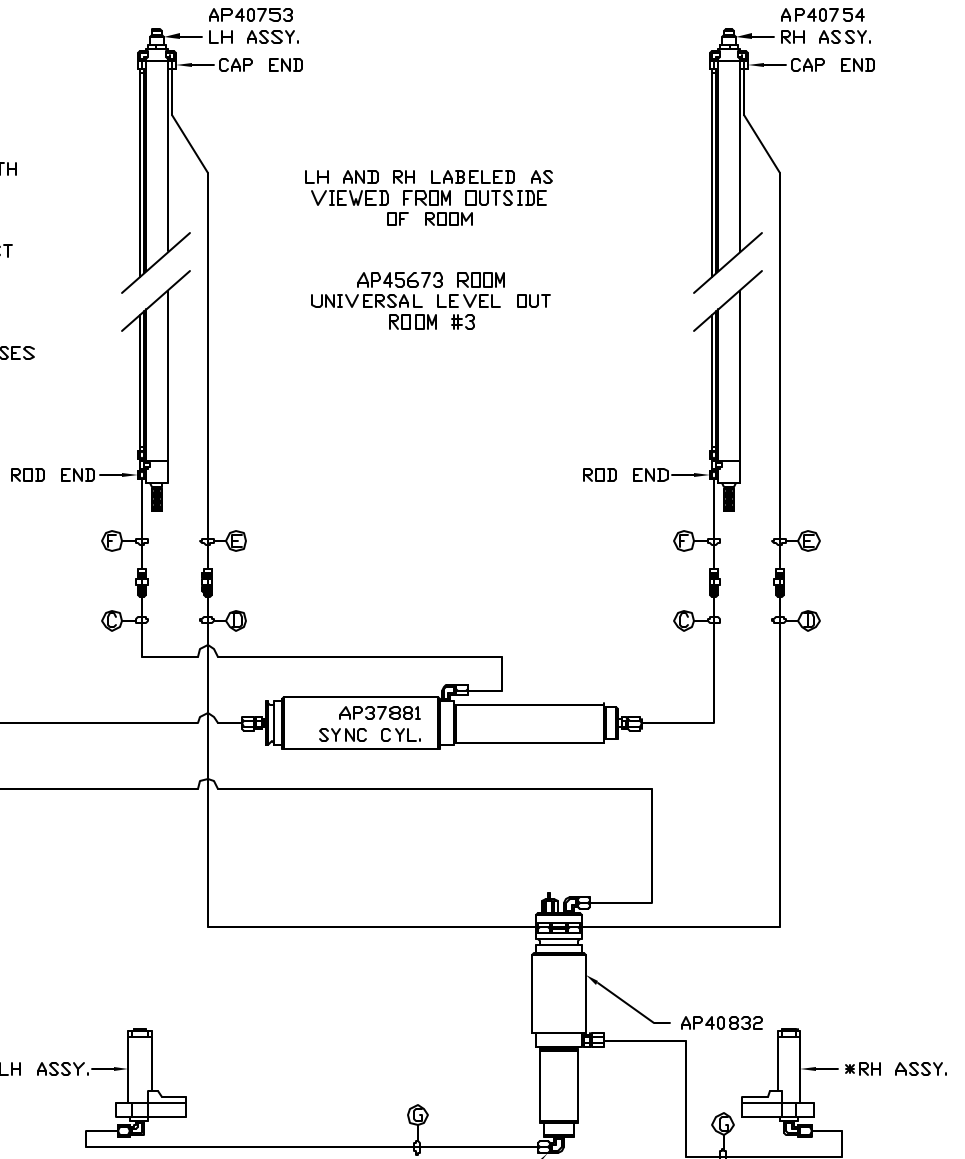
FRONT VIEW
 MANIFOLD-B



SIDE VIEW PUMP/MANIFOLD-AP38238

LOCATION AND ORIENTATION OF
 PUMP/MANIFOLD ASSEMBLY WILL
 DIFFER DEPENDING UPON O.E.M.

NOTE: INSTALLATION MUST CONFORM TO GOOD SHOP PRACTICES, SAE
 STANDARDS, RVIA STANDARDS, AND OTHER APPLICABLE STANDARDS.



LH AND RH LABELED AS
 VIEWED FROM OUTSIDE
 OF ROOM

AP45673 ROOM
 UNIVERSAL LEVEL OUT
 ROOM #3

*LH ASSY.

AP40832

*RH ASSY.

NOTE: LIFT SYNC MUST BE MOUNTED
 WITH THE CAP END POINTING UP.

MP70227 D/D
 05FEB10