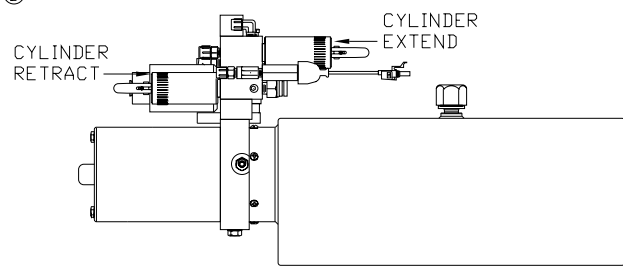
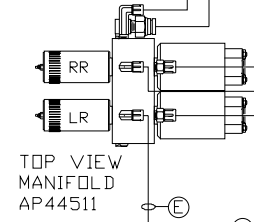
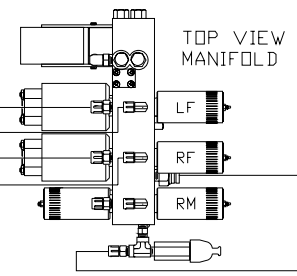
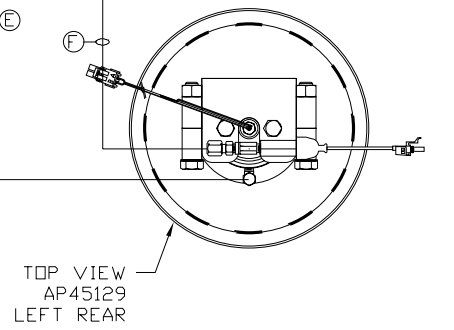
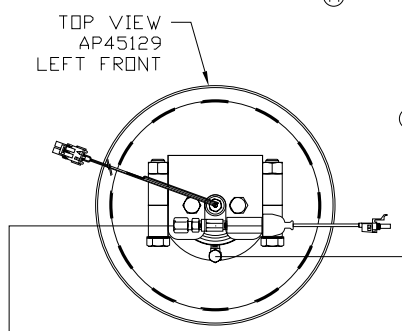
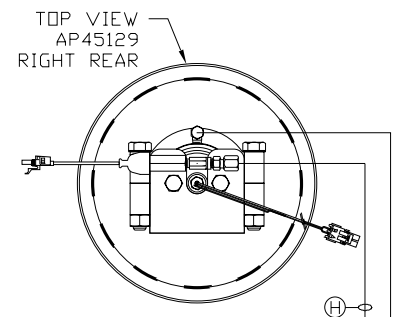
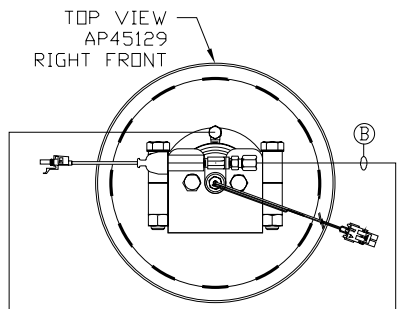


ORIENTATION

← FRONT

- Ⓐ AP4063 HOSE ASSY .25" x 288"  
ROD END RIGHT FRONT JACK
- Ⓑ AP45367 HOSE ASSY .25/05 x 168"  
CAP END RIGHT FRONT JACK
- Ⓒ AP4074 HOSE ASSY .25" x 108"  
ROD END LEFT FRONT JACK
- Ⓓ AP44282 HOSE ASSY .25/05 x 114"  
CAP END LEFT FRONT JACK
- Ⓔ AP4164 HOSE ASSY .25" x 384"  
ROD END LEFT REAR JACK
- ⓕ AP45148 HOSE ASSY .25/05 x 390"  
CAP END LEFT REAR JACK
- ⓖ AP6117 HOSE ASSY .25" x 432"  
ROD END RIGHT REAR JACK
- ⓓ AP44662 HOSE ASSY .25/05 x 456"  
CAP END RIGHT REAR JACK
- ⓓ AP4059 HOSE ASSY .25 x 36"  
PRESSURE
- ⓙ P5353 RETURN LINE .5" x 36"  
RETURN



NOTE: INSTALLATION MUST CONFORM TO GOOD SHOP PRACTICES, SAE STANDARDS, RVIA STANDARDS, AND OTHER APPLICABLE STANDARDS. LEVELING SYSTEM: AP45884

NO.	DATE	REVISION
THE INFORMATION DISCLOSED ON THIS DRAWING IS CONFIDENTIAL AND MUST NOT BE DISCLOSED OR USED IN ANY MANNER WHICH WILL BE DETRIMENTAL TO THE HWH CORPORATION		

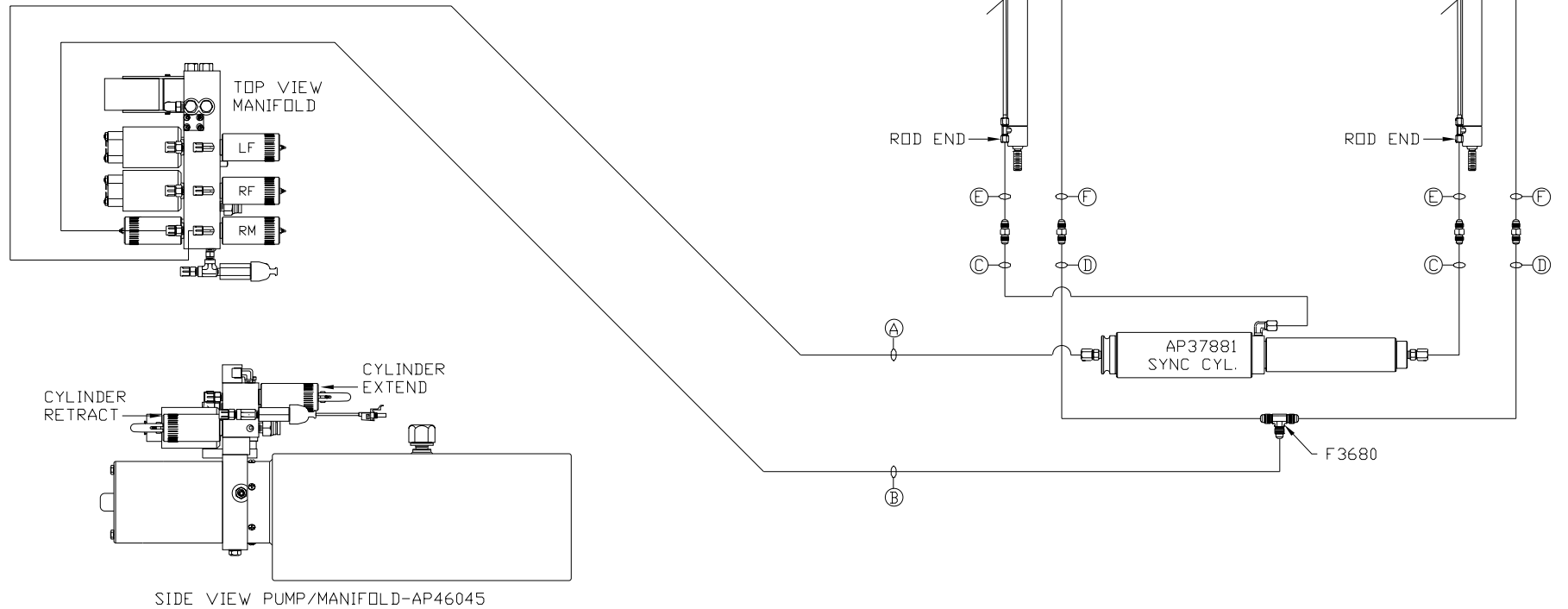
HWH			I-80 EXIT 267 SOUTH RT 1 MOSCOW, IOWA 52760	
SCALE 1:6	DATE 15FEB10	DRAWN BY .		
HYD CONN DIAGRAM				
OSHKOSH			DRAWING NUMBER MP70233 A/B	

ORIENTATION

← FRONT

NOTE: HOSES (E) AND (F) ARE INCLUDED WITH THE ROOM EXTENSION MECHANISM

- (A) AP3314 HOSE ASSY .25" X 48" ROD END - ALWAYS PRESSURIZED
- (B) AP4159 HOSE ASSY .25" X 72" CAP END
- (C) AP24653 HOSE ASSY HWH02HP x 204" ROD END - ALWAYS PRESSURIZED HOSES MUST BE HIGH PRESSURE HOSES OF EQUAL LENGTH AND DIAMETER
- (D) AP6116 HOSE ASSY .25" X 240" CAP END - HOSES MUST MAINTAIN EQUAL LENGTH AND DIAMETER
- (E) AP24632 HOSE ASSY HWH02HP x 48" ROD END - ALWAYS PRESSURIZED - MUST BE HIGH PRESSURE HOSES OF EQUAL LENGTH AND DIAMETER
- (F) AP24818 HOSE ASSY HWH02HP x 86" CAP END - MUST MAINTAIN EQUAL LENGTH AND DIAMETER



NOTE: INSTALLATION MUST CONFORM TO GOOD SHOP PRACTICES, SAE STANDARDS, RVIA STANDARDS, AND OTHER APPLICABLE STANDARDS.

MP70233 B/B  
15FEB10