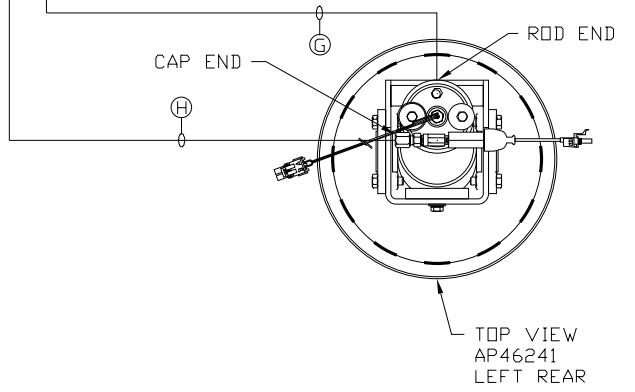
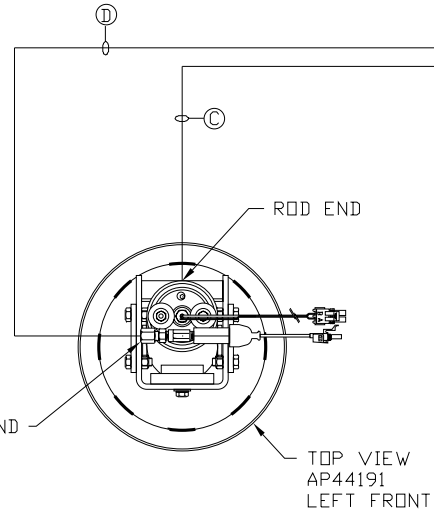
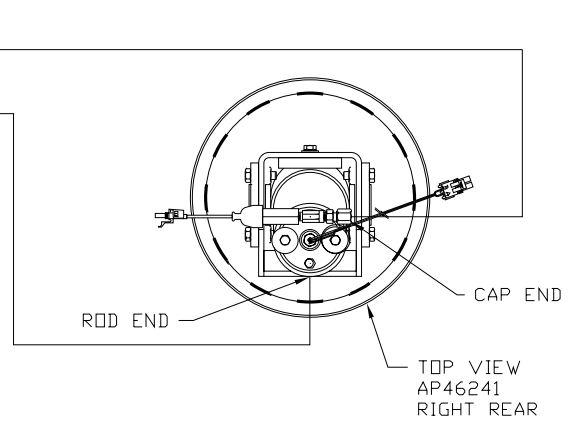
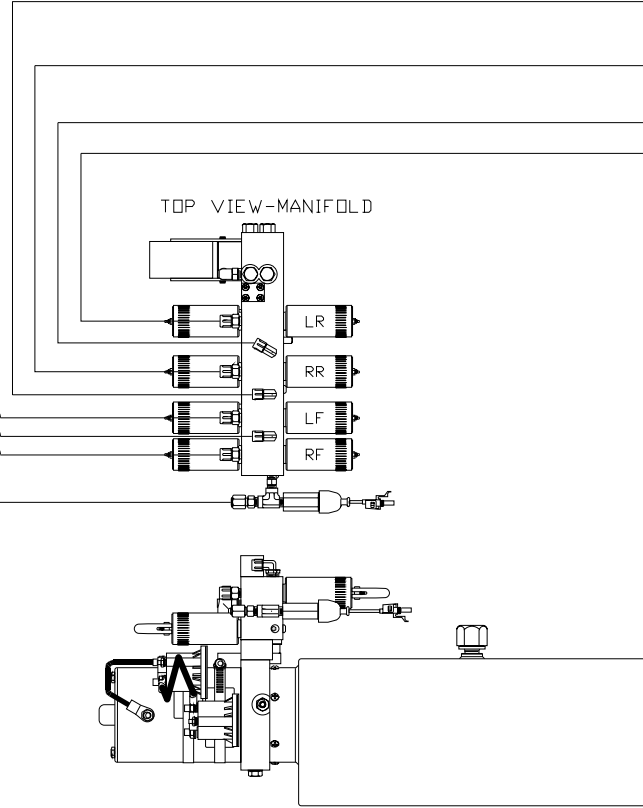
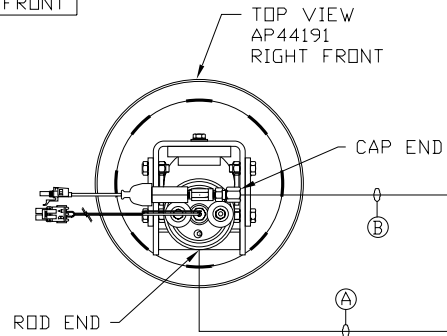


ORIENTATION  
← FRONT



- Ⓐ AP4061 HOSE ASSY .25" x 216" - RF ROD END
- Ⓑ AP46310 HOSE ASSY .25/05 x 192" - RF CAP END
- Ⓒ AP7358 HOSE ASSY .25" x 175" - LF ROD END
- Ⓓ AP43404 HOSE ASSY .25/05 x 156" - LF CAP END
- Ⓔ AP27563 HOSE ASSY .25" x 416" - RR ROD END
- Ⓕ AP46311 HOSE ASSY .25/05 x 396" - RR CAP END
- Ⓖ AP4948 HOSE ASSY .25" x 390" - LR ROD END
- Ⓗ AP46312 HOSE ASSY 25/05 x 372" - LR CAP END

LOCATION AND ORIENTATION OF PUMP/MANIFOLD ASSEMBLY WILL DIFFER DEPENDING UPON O.E.M.

NOTE: INSTALLATION MUST CONFORM TO GOOD SHOP PRACTICES, SAE STANDARDS, RVIA STANDARDS, AND OTHER APPLICABLE STANDARDS.

LEVELING SYSTEM: AP46031

NO.	DATE	REVISION
THE INFORMATION DISCLOSED ON THIS DRAWING IS CONFIDENTIAL AND MUST NOT BE DISCLOSED OR USED IN ANY MANNER WHICH WILL BE DETRIMENTAL TO THE HWH CORPORATION		

HWH		I-80 EXIT 267 SOUTH RT 1 MOSCOW, IOWA 52760	
SCALE 1:6	DATE 12MAR10	DRAWN BY .	
HYD CONN DIAGRAM			
FARBER			DRAWING NUMBER MP70240