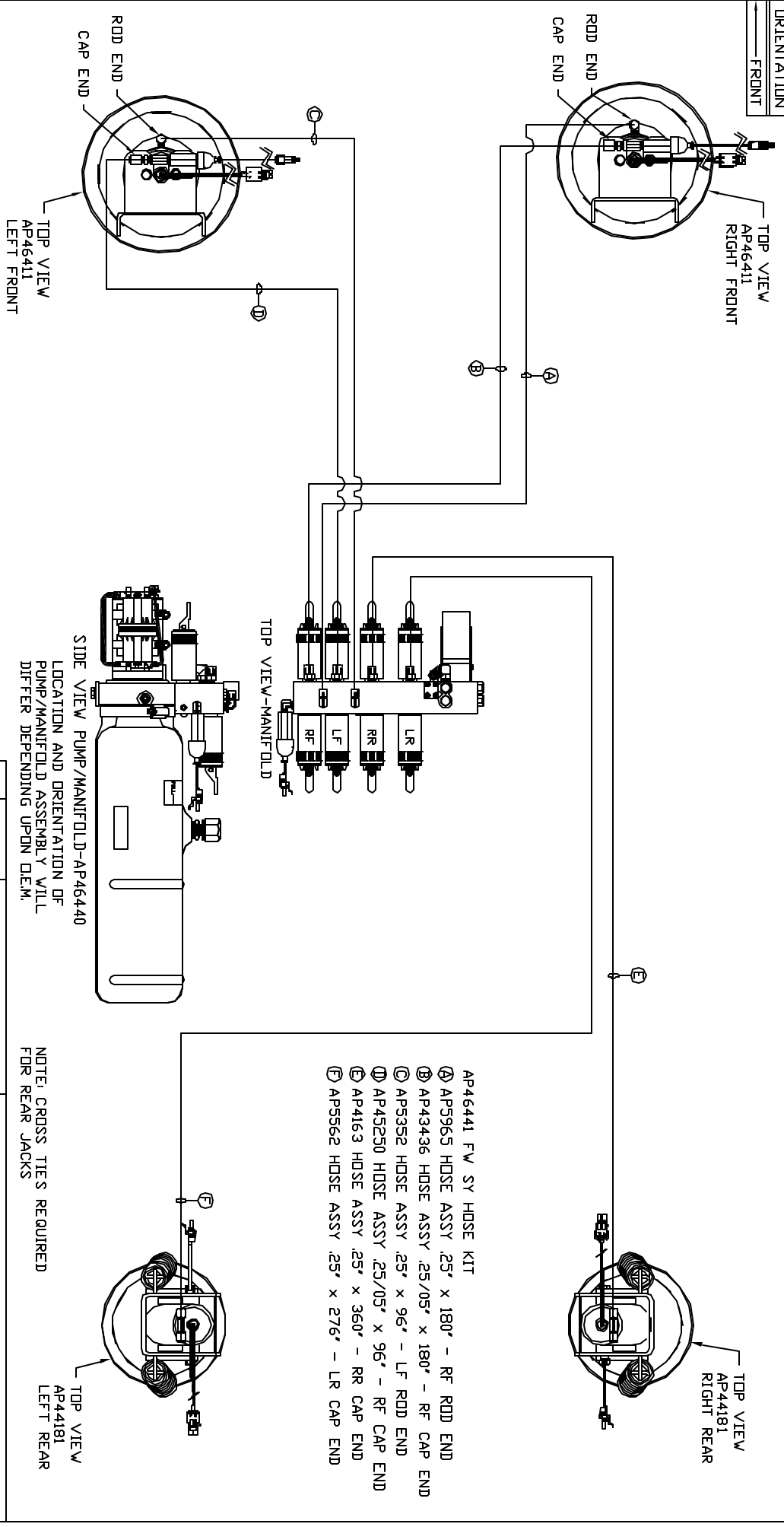


ORIENTATION
FRONT



NOTE: INSTALLATION MUST CONFORM TO GOOD SHOP PRACTICES, SAE STANDARDS, RVIA STANDARDS, AND OTHER APPLICABLE STANDARDS.

LEVELING SYSTEM AP46352

NO.	DATE	ADDED HOSES	REVISION
1	31JUL12		

THE INFORMATION DISCLOSED IN THIS DRAWING IS CONFIDENTIAL AND MUST NOT BE DISCLOSED OR USED IN ANY MANNER WHICH WILL BE DETRIMENTAL TO THE IWH CORPORATION

HW H 1-80 EXIT 267 SOUTH
RT 1 MOSCOW, INVA 52760

SCALE 1:6 DATE 29APR10 DRAWN BY .

HYD CONN DIAGRAM

TRIVAN

DRAWING NUMBER MP70265