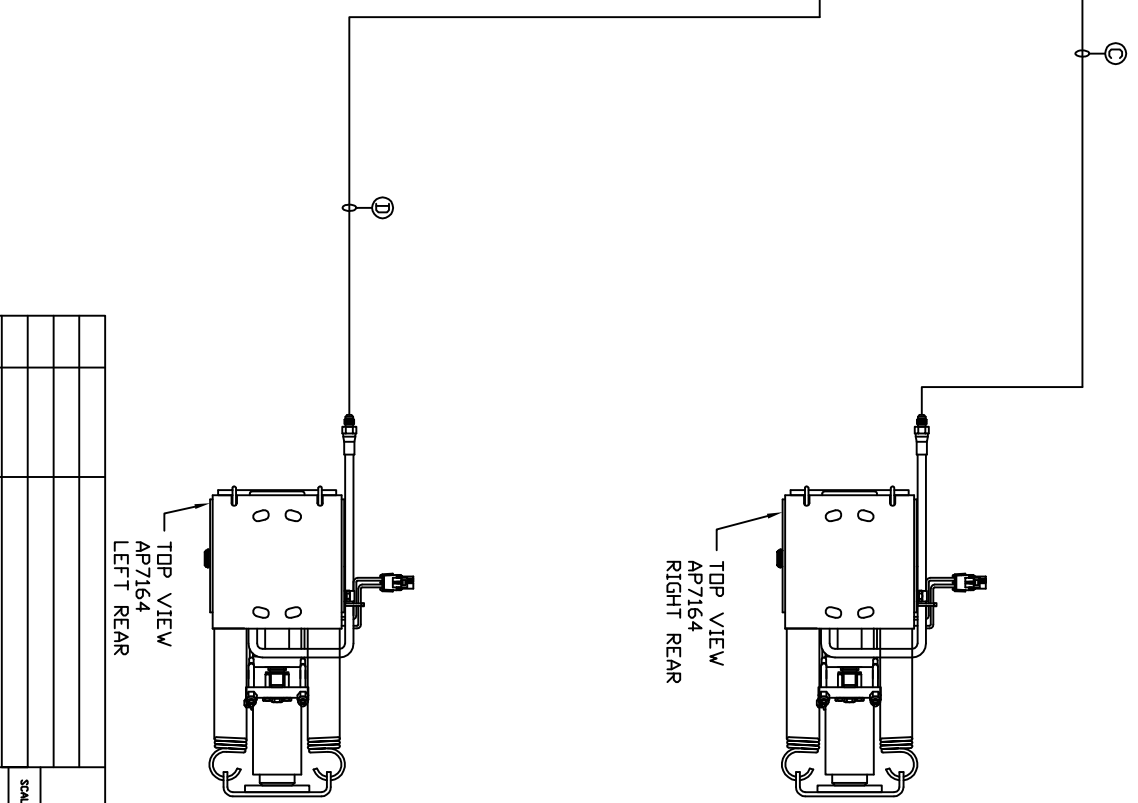
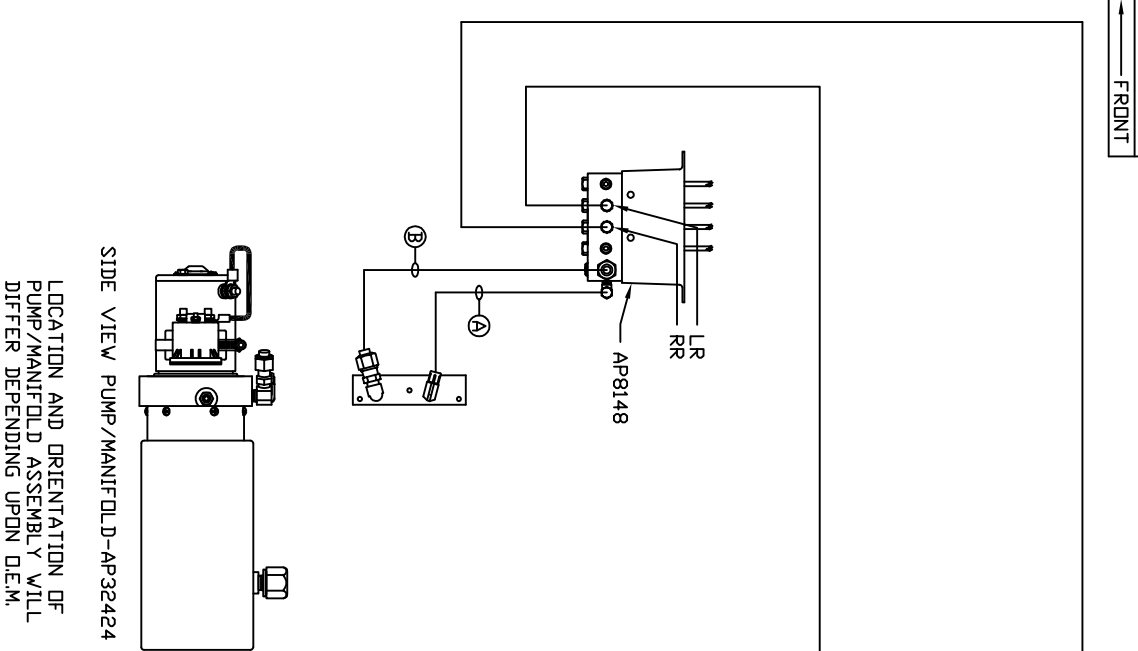


ORIENTATION
FRONT



- Ⓐ AP4827 HOSE ASSY .25" x 144"
- Ⓑ P4828 RETURN LINE .5" x 144"
- Ⓒ AP4161 HOSE ASSY .25" x 120"
- Ⓓ AP4074 HOSE ASSY .25" x 108"

NOTE: INSTALLATION MUST CONFORM TO GOOD SHOP PRACTICES, SAE STANDARDS, RVIA STANDARDS, AND OTHER APPLICABLE STANDARDS.

LEVELING SYSTEM: AP47911

NO.	DATE	REVISION

THE INFORMATION DISCLOSED ON THIS DRAWING IS CONFIDENTIAL AND MUST NOT BE DISCLOSED OR USED IN ANY MANNER WHICH WILL BE DETRIMENTAL TO THE HWH CORPORATION

HWH 1-80 EXIT 267 SOUTH
 RT 1 MOSCOW, IDWA 52760
 SCALE 1:6 DATE 27 JAN 11 DRAWN BY .
HYD CONN DIAGRAM
SUNGSAN DRAWING NUMBER MP70366