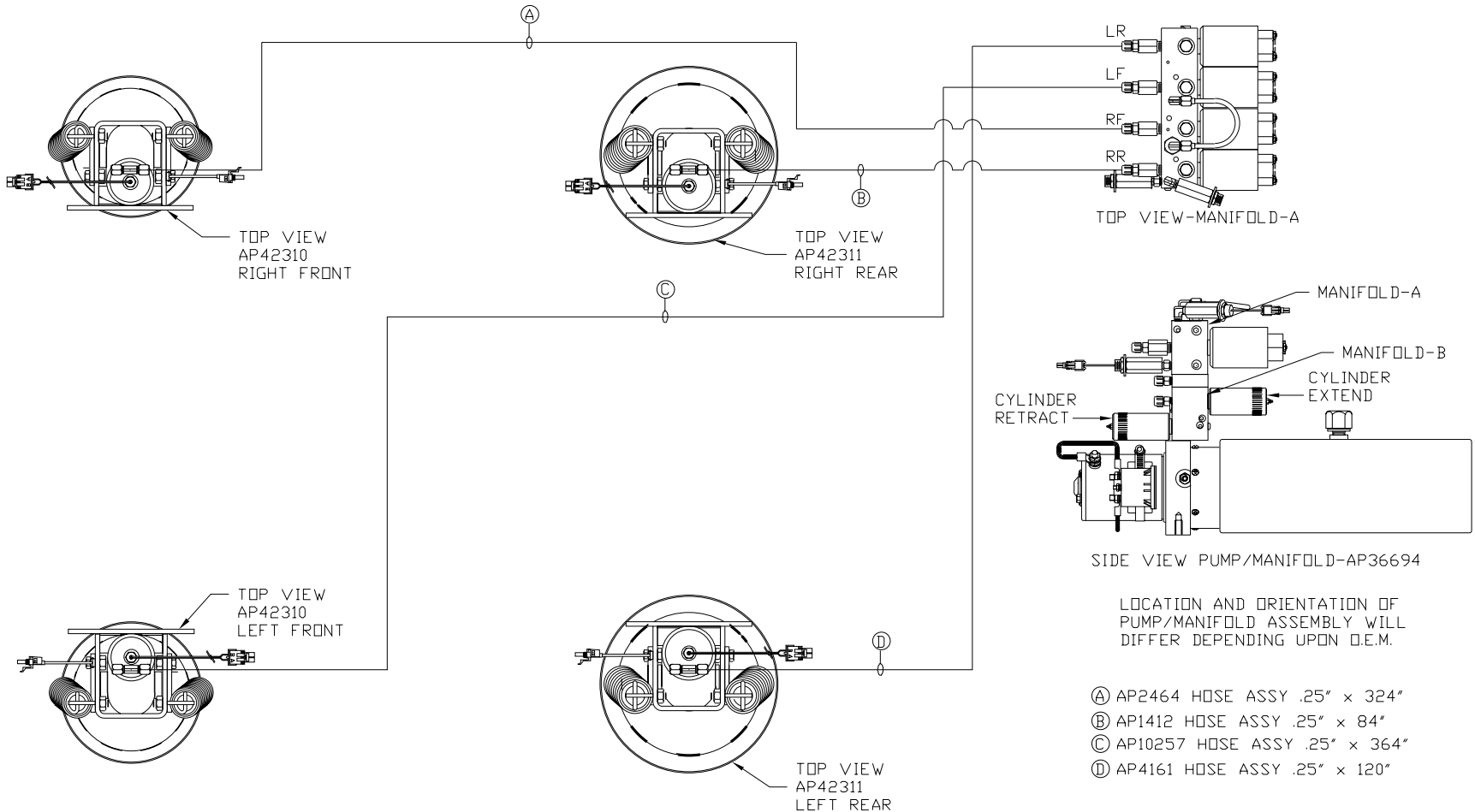


ORIENTATION

← FRONT



NOTE: INSTALLATION MUST CONFORM TO GOOD SHOP PRACTICES, SAE STANDARDS, RVIA STANDARDS, AND OTHER APPLICABLE STANDARDS.

LEVELING SYSTEM: AP48535

1	09MAY11	REVISED SYNC CYLINDER
NO.	DATE	REVISION

THE INFORMATION DISCLOSED ON THIS DRAWING IS CONFIDENTIAL AND MUST NOT BE DISCLOSED OR USED IN ANY MANNER WHICH WILL BE DETRIMENTAL TO THE HWH CORPORATION

HWH I-80 EXIT 267 SOUTH  
RT 1 MOSCOW, IOWA 52760

SCALE 1:6 DATE 03MAY11 DRAWN BY .

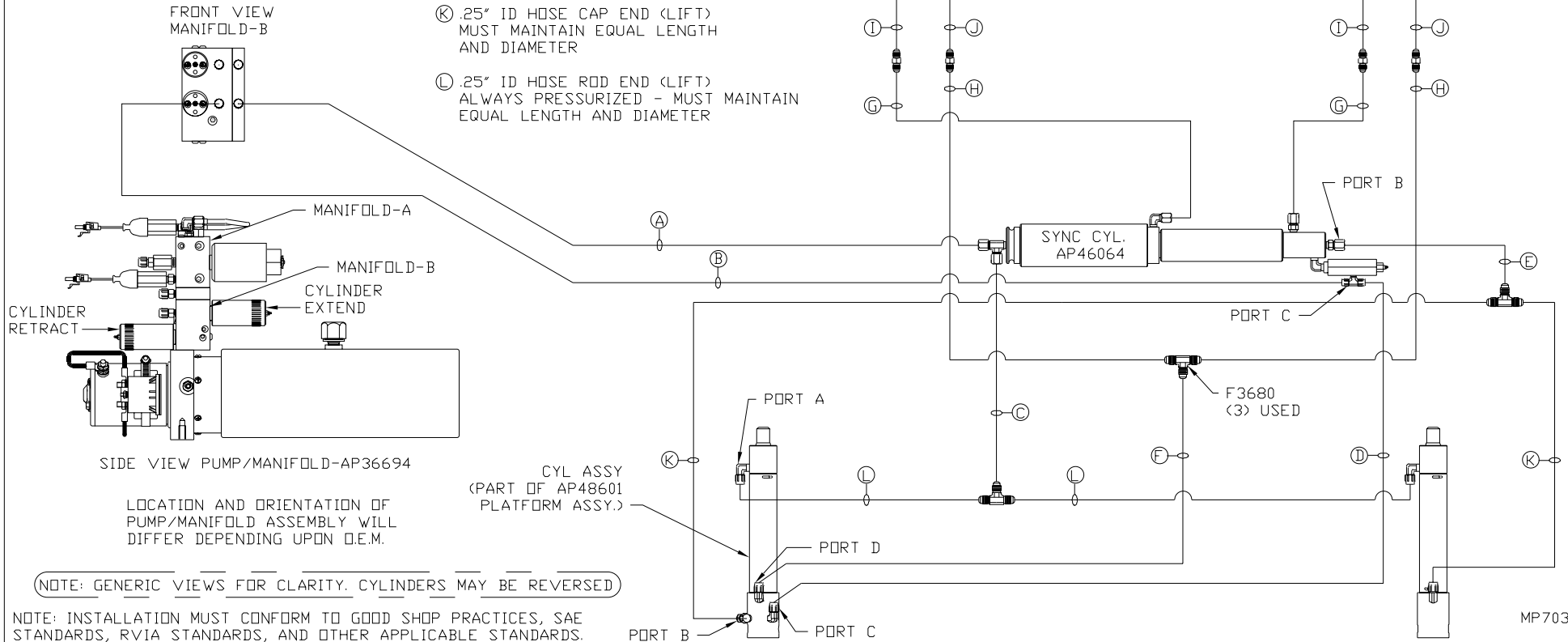
HYD CONN DIAGRAM

ROLLINGSTAR DRAWING NUMBER  
MP70399 A/C

NOTE: HOSES ① AND ② ARE INCLUDED WITH THE ROOM EXTENSION MECHANISM

- Ⓐ .25" ID HOSE  
ROD END - ALWAYS PRESSURIZED
- Ⓑ .25" ID HOSE  
CAP END (ROOM)
- Ⓒ .25" ID HOSE  
ROD END - ALWAYS PRESSURIZED (LIFT)
- Ⓓ .25" ID HOSE  
CAP END (ROOM)
- Ⓔ .25" ID HOSE  
CAP END (LIFT)
- Ⓕ .25" ID HOSE  
CAP END (ROOM)

- Ⓖ .125" ID HOSE  
ROD END - ALWAYS PRESSURIZED  
HOSES MUST BE HIGH PRESSURE  
HOSES OF EQUAL LENGTH AND DIAMETER
- Ⓗ .25" ID HOSE  
CAP END - HOSES MUST MAINTAIN  
EQUAL LENGTH AND DIAMETER
- ① AP24632 HOSE ASSY HWH02HP x 48"  
ROD END - ALWAYS PRESSURIZED -  
MUST BE HIGH PRESSURE HOSES OF  
EQUAL LENGTH AND DIAMETER
- ② AP24818 HOSE ASSY HWH02HP x 86"  
CAP END - MUST MAINTAIN EQUAL  
LENGTH AND DIAMETER
- Ⓚ .25" ID HOSE CAP END (LIFT)  
MUST MAINTAIN EQUAL LENGTH  
AND DIAMETER
- Ⓛ .25" ID HOSE ROD END (LIFT)  
ALWAYS PRESSURIZED - MUST MAINTAIN  
EQUAL LENGTH AND DIAMETER



NOTE: HOSES ① AND ② ARE INCLUDED WITH THE ROOM EXTENSION MECHANISM

- Ⓐ .25" ID HOSE  
ROD END - ALWAYS PRESSURIZED
- Ⓑ .25" ID HOSE  
CAP END (ROOM)
- Ⓒ .25" ID HOSE  
ROD END - ALWAYS PRESSURIZED (LIFT)
- Ⓓ .25" ID HOSE  
CAP END (ROOM)
- Ⓔ .25" ID HOSE  
CAP END (LIFT)
- Ⓕ .25" ID HOSE  
CAP END (ROOM)

- Ⓖ .125" ID HOSE  
ROD END - ALWAYS PRESSURIZED  
HOSES MUST BE HIGH PRESSURE  
HOSES OF EQUAL LENGTH AND DIAMETER
- Ⓗ .25" ID HOSE  
CAP END - HOSES MUST MAINTAIN  
EQUAL LENGTH AND DIAMETER
- ① AP24632 HOSE ASSY HWH02HP x 48"  
ROD END - ALWAYS PRESSURIZED -  
MUST BE HIGH PRESSURE HOSES OF  
EQUAL LENGTH AND DIAMETER
- ② AP24818 HOSE ASSY HWH02HP x 86"  
CAP END - MUST MAINTAIN EQUAL  
LENGTH AND DIAMETER
- Ⓚ .25" ID HOSE CAP END (LIFT)  
MUST MAINTAIN EQUAL LENGTH  
AND DIAMETER
- Ⓛ .25" ID HOSE ROD END (LIFT)  
ALWAYS PRESSURIZED - MUST MAINTAIN  
EQUAL LENGTH AND DIAMETER

