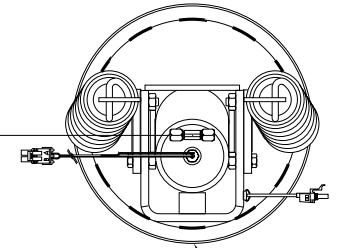
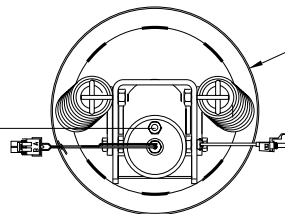


ORIENTATION

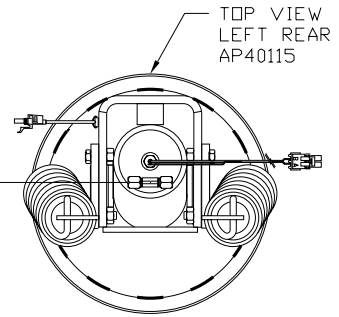
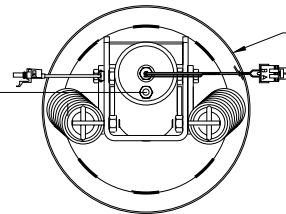
← FRONT

Ⓐ



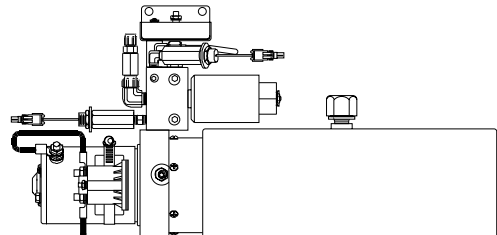
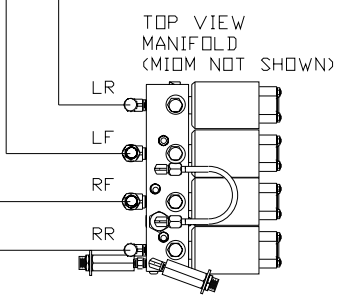
Ⓑ

Ⓒ



- Ⓐ AP5924 HOSE ASSY .25" x 228"
- Ⓑ AP7832 HOSE ASSY .25" x 100"
- Ⓒ AP6115 HOSE ASSY .25" x 168"
- Ⓓ AP8985 HOSE ASSY .25" x 332"

NOTE: CROSS TIES REQUIRED FOR FRONT AND REAR JACKS



SIDE VIEW PUMP/MANIFOLD-AP48041

LOCATION AND ORIENTATION OF PUMP/MANIFOLD ASSEMBLY WILL DIFFER DEPENDING UPON O.E.M.

NOTE: INSTALLATION MUST CONFORM TO GOOD SHOP PRACTICES, SAE STANDARDS, RVIA STANDARDS, AND OTHER APPLICABLE STANDARDS.

LEVELING SYSTEM: AP49358

		HWH		I-80 EXIT 267 SOUTH RT 1 MOSCOW, IOWA 52760	
		SCALE 1:6	DATE 04NOV11	DRAWN BY .	
		HYD CONN DIAGRAM			
		FARBER		DRAWING NUMBER MP70469	
NO.	DATE	REVISION			
THE INFORMATION DISCLOSED ON THIS DRAWING IS CONFIDENTIAL AND MUST NOT BE DISCLOSED OR USED IN ANY MANNER WHICH WILL BE DETRIMENTAL TO THE HWH CORPORATION					