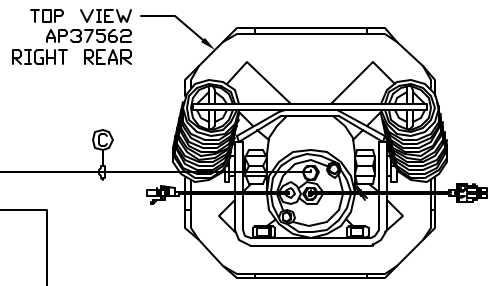
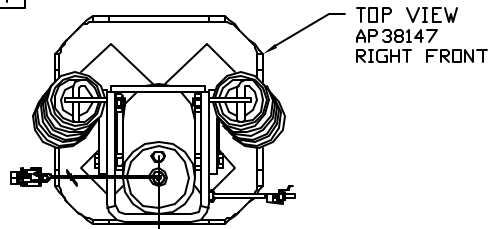
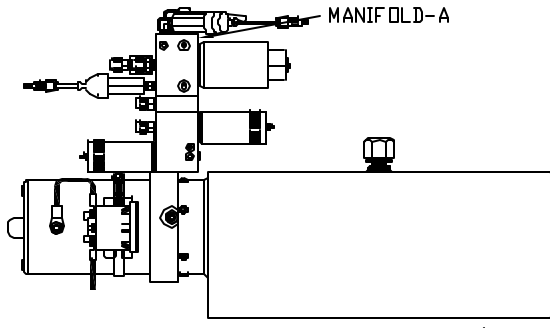
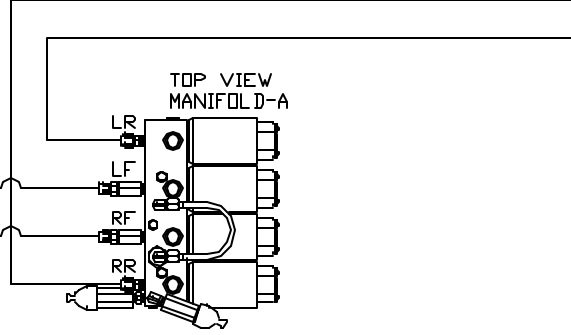
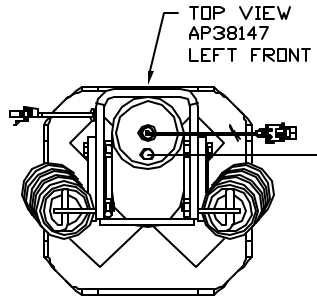


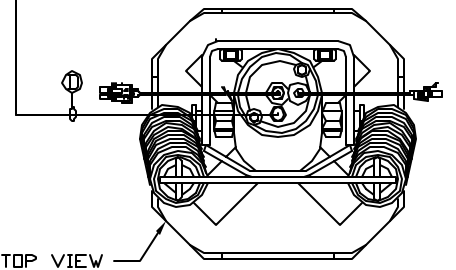
ORIENTATION
 — FRONT



NOTE: CROSS-TIES REQUIRED FOR STRAIGHT-ACTING JACKS ON BOTH FRONT AND REAR.



- Ⓐ AP6115 HOSE ASSY .25' x 168'
- Ⓑ AP4310 HOSE ASSY .25' x 204'
- Ⓒ AP24985 HOSE ASSY .313' x 264'
- Ⓓ AP6638 HOSE ASSY .313' x 300'



LOCATION AND ORIENTATION OF PUMP/MANIFOLD ASSEMBLY WILL DIFFER DEPENDING UPON O.E.M.

NOTE: INSTALLATION MUST CONFORM TO GOOD SHOP PRACTICES, SAE STANDARDS, RVIA STANDARDS, AND OTHER APPLICABLE STANDARDS.

LEVELING SYSTEM: AP45671

⚠	02AUG12	WAS AP38238
NO.	DATE	REVISION

HWH I-80 EXIT 267 SOUTH
 RT 1 MOSCOW, IOWA 52760
 SCALE 1:6 DATE 15FEB12 DRAWN BY .

HYD CONN DIAGRAM

THE INFORMATION DISCLOSED ON THIS DRAWING IS CONFIDENTIAL AND MUST NOT BE DISCLOSED OR USED IN ANY MANNER WHICH WILL BE DETRIMENTAL TO THE HWH CORPORATION

CUSTOM TRUCK

DRAWING NUMBER
 MP70487 A/D

Ⓐ .25" ID HOSE
ROD END - ALWAYS PRESSURIZED

Ⓑ .25" ID HOSE
CAP END

Ⓒ AP4075 HOSE ASSY .25" x 42"
ROD END - ALWAYS PRESSURIZED (LIFT)

Ⓓ AP5350 HOSE ASSY .25" x 57"
CAP END (ROOM)

Ⓔ AP4218 HOSE ASSY .25" x 40"
CAP END (LIFT)

Ⓕ AP7177 HOSE ASSY .25" x 70"
CAP END (LIFT) - MUST BE HOSES
OF EQUAL LENGTH AND DIAMETER

Ⓖ AP4062 HOSE ASSY .25" x 132"
CAP END (LIFT)

Ⓗ AP4073 HOSE ASSY .25" x 60"
ROD END (LIFT) - ALWAYS
PRESSURIZED - MUST BE HOSES
OF EQUAL LENGTH AND DIAMETER

Ⓛ HWH02HP HOSE
ROD END - ALWAYS PRESSURIZED - MUST
BE HIGH PRESSURE HOSES OF EQUAL
LENGTH AND DIAMETER

Ⓜ .25" ID HOSE
CAP END - MUST MAINTAIN EQUAL LENGTH
AND DIAMETER

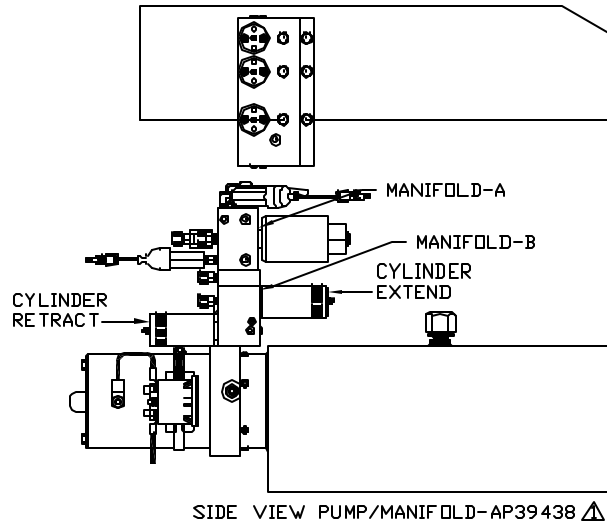
Ⓨ AP24818 HOSE ASSY HWH02HP x 86"
CAP END - MUST MAINTAIN EQUAL LENGTH
AND DIAMETER

Ⓩ AP24632 HOSE ASSY HWH02HP x 48"
ROD END - ALWAYS PRESSURIZED - MUST
BE HIGH PRESSURE HOSES OF EQUAL
LENGTH AND DIAMETER

NOTE: HOSES Ⓨ AND Ⓩ ARE INCLUDED
WITH THE ROOM EXTENSION MECHANISM.

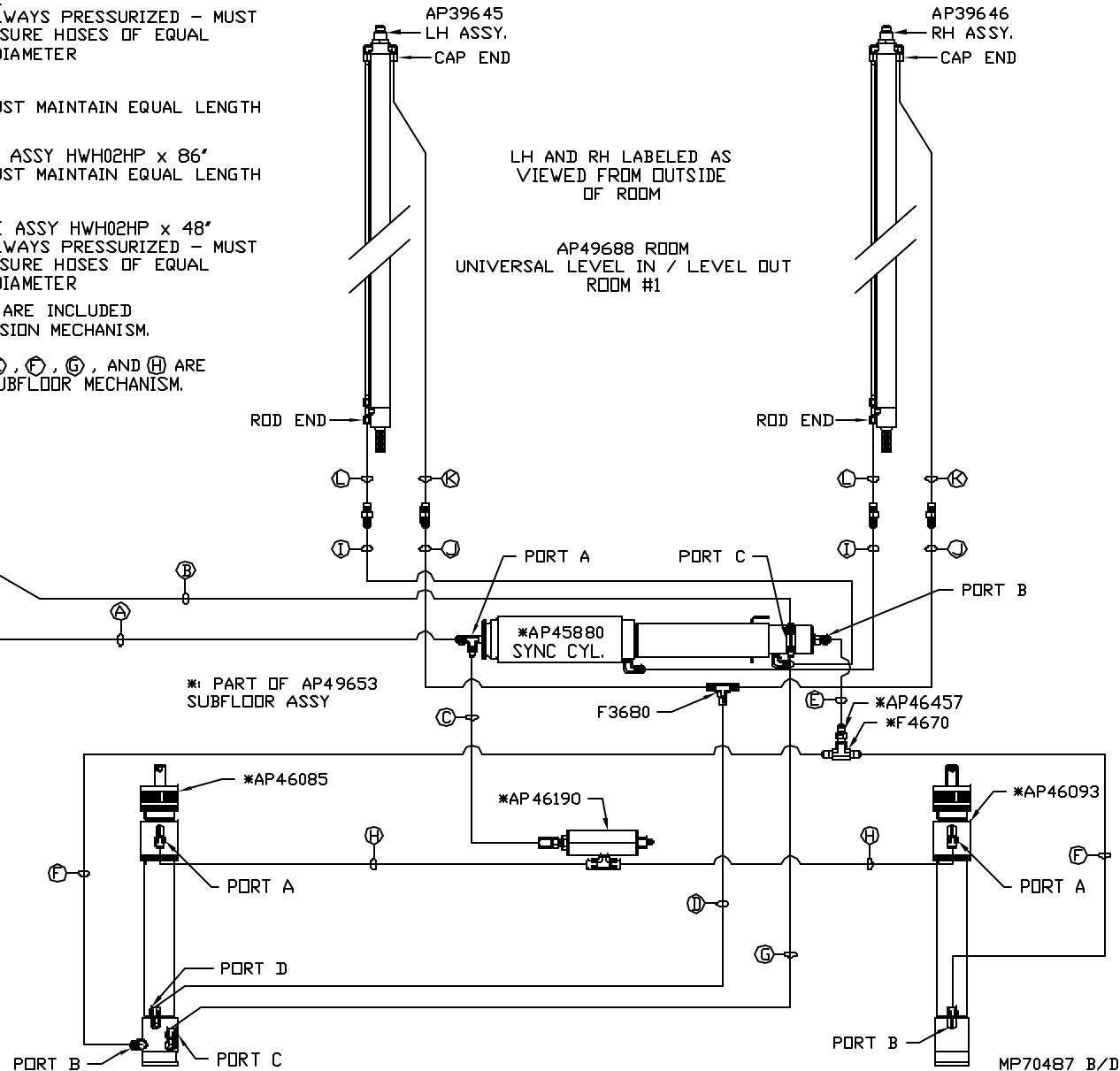
NOTE: HOSES Ⓒ, Ⓓ, Ⓔ, Ⓕ, Ⓖ, AND Ⓗ ARE
INCLUDED WITH THE SUBFLOOR MECHANISM.

FRONT VIEW
MANIFOLD-B



LOCATION AND ORIENTATION OF
PUMP/MANIFOLD ASSEMBLY WILL
DIFFER DEPENDING UPON O.E.M.

NOTE: INSTALLATION MUST CONFORM TO GOOD SHOP PRACTICES, SAE
STANDARDS, RVIA STANDARDS, AND OTHER APPLICABLE STANDARDS.



MP70487 B/D
02AUG12

Ⓐ .25" ID HOSE
ROD END - ALWAYS PRESSURIZED

Ⓑ .25" ID HOSE
CAP END

Ⓒ AP4075 HOSE ASSY .25" x 42"
ROD END - ALWAYS PRESSURIZED (LIFT)

Ⓓ AP5350 HOSE ASSY .25" x 57"
CAP END (ROOM)

Ⓔ AP4218 HOSE ASSY .25" x 40"
CAP END (LIFT)

Ⓕ AP7177 HOSE ASSY .25" x 70"
CAP END (LIFT) - MUST BE HOSES
OF EQUAL LENGTH AND DIAMETER

Ⓖ AP4062 HOSE ASSY .25" x 132"
CAP END (LIFT)

Ⓗ AP4073 HOSE ASSY .25" x 60"
ROD END (LIFT) - ALWAYS
PRESSURIZED - MUST BE HOSES
OF EQUAL LENGTH AND DIAMETER

Ⓛ HWH02HP HOSE
ROD END - ALWAYS PRESSURIZED - MUST
BE HIGH PRESSURE HOSES OF EQUAL
LENGTH AND DIAMETER

Ⓜ .25" ID HOSE
CAP END - MUST MAINTAIN EQUAL LENGTH
AND DIAMETER

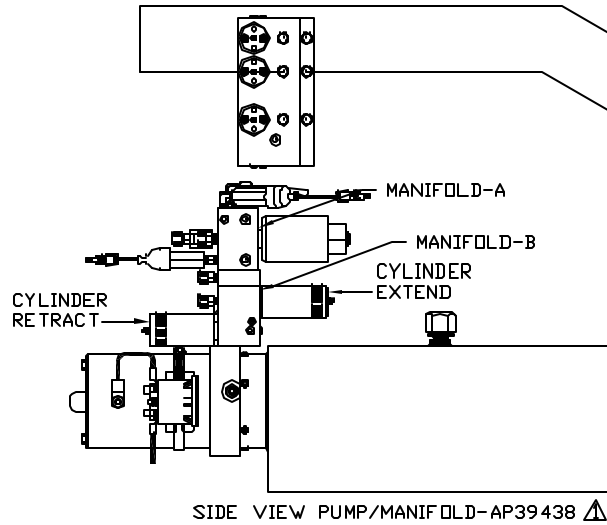
Ⓨ AP24818 HOSE ASSY HWH02HP x 86"
CAP END - MUST MAINTAIN EQUAL LENGTH
AND DIAMETER

Ⓩ AP24632 HOSE ASSY HWH02HP x 48"
ROD END - ALWAYS PRESSURIZED - MUST
BE HIGH PRESSURE HOSES OF EQUAL
LENGTH AND DIAMETER

NOTE: HOSES Ⓨ AND Ⓛ ARE INCLUDED
WITH THE ROOM EXTENSION MECHANISM.

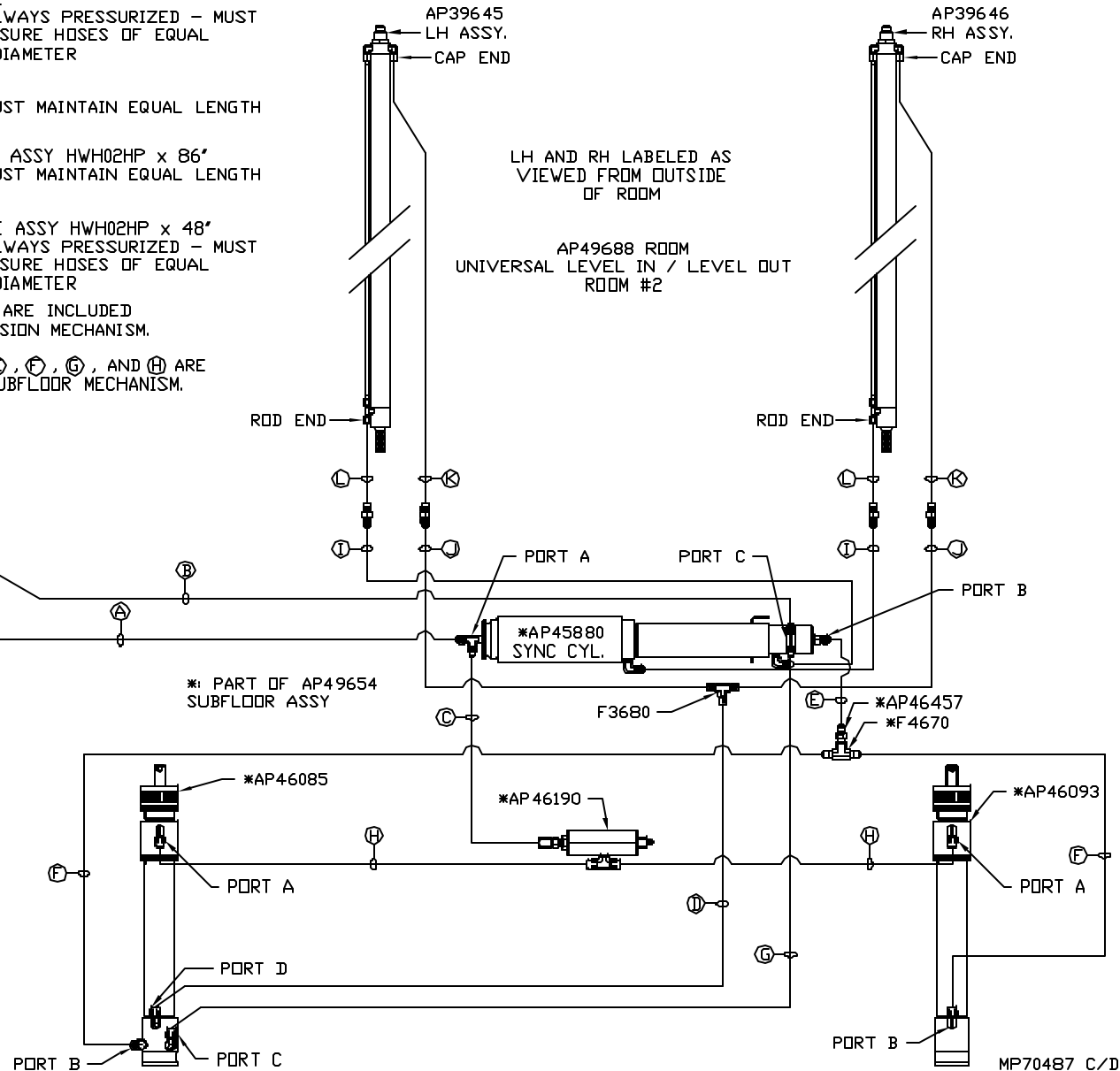
NOTE: HOSES Ⓒ, Ⓓ, Ⓔ, Ⓕ, Ⓖ, AND Ⓗ ARE
INCLUDED WITH THE SUBFLOOR MECHANISM.

FRONT VIEW
MANIFOLD-B



LOCATION AND ORIENTATION OF
PUMP/MANIFOLD ASSEMBLY WILL
DIFFER DEPENDING UPON O.E.M.

NOTE: INSTALLATION MUST CONFORM TO GOOD SHOP PRACTICES, SAE
STANDARDS, RVIA STANDARDS, AND OTHER APPLICABLE STANDARDS.



MP70487 C/D
02AUG12

Ⓐ .25" ID HOSE
ROD END - ALWAYS PRESSURIZED

Ⓑ .25" ID HOSE
CAP END

Ⓒ AP4075 HOSE ASSY .25" x 42"
ROD END - ALWAYS PRESSURIZED (LIFT)

Ⓓ AP5350 HOSE ASSY .25" x 57"
CAP END (ROOM)

Ⓔ AP4218 HOSE ASSY .25" x 40"
CAP END (LIFT)

Ⓕ AP7177 HOSE ASSY .25" x 70"
CAP END (LIFT) - MUST BE HOSES
OF EQUAL LENGTH AND DIAMETER

Ⓖ AP4062 HOSE ASSY .25" x 132"
CAP END (LIFT)

Ⓖ AP4073 HOSE ASSY .25" x 60"
ROD END (LIFT) - ALWAYS
PRESSURIZED - MUST BE HOSES
OF EQUAL LENGTH AND DIAMETER

Ⓛ HWH02HP HOSE
ROD END - ALWAYS PRESSURIZED - MUST
BE HIGH PRESSURE HOSES OF EQUAL
LENGTH AND DIAMETER

Ⓜ .25" ID HOSE
CAP END - MUST MAINTAIN EQUAL LENGTH
AND DIAMETER

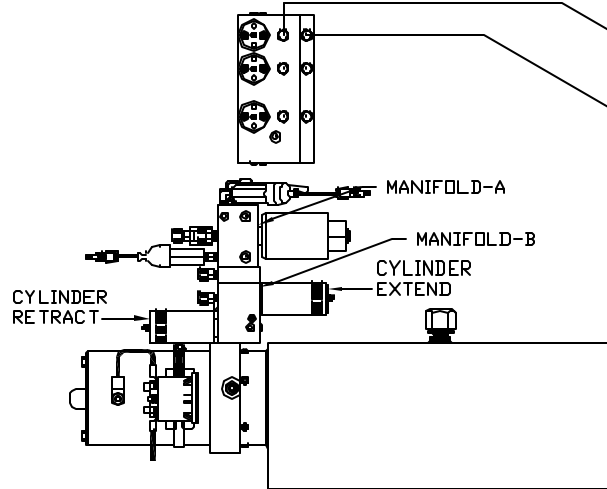
Ⓨ AP24818 HOSE ASSY HWH02HP x 86"
CAP END - MUST MAINTAIN EQUAL LENGTH
AND DIAMETER

Ⓩ AP24632 HOSE ASSY HWH02HP x 48"
ROD END - ALWAYS PRESSURIZED - MUST
BE HIGH PRESSURE HOSES OF EQUAL
LENGTH AND DIAMETER

NOTE: HOSES Ⓨ AND Ⓩ ARE INCLUDED
WITH THE ROOM EXTENSION MECHANISM.

NOTE: HOSES Ⓒ, Ⓓ, Ⓔ, Ⓕ, Ⓖ, AND Ⓖ ARE
INCLUDED WITH THE SUBFLOOR MECHANISM.

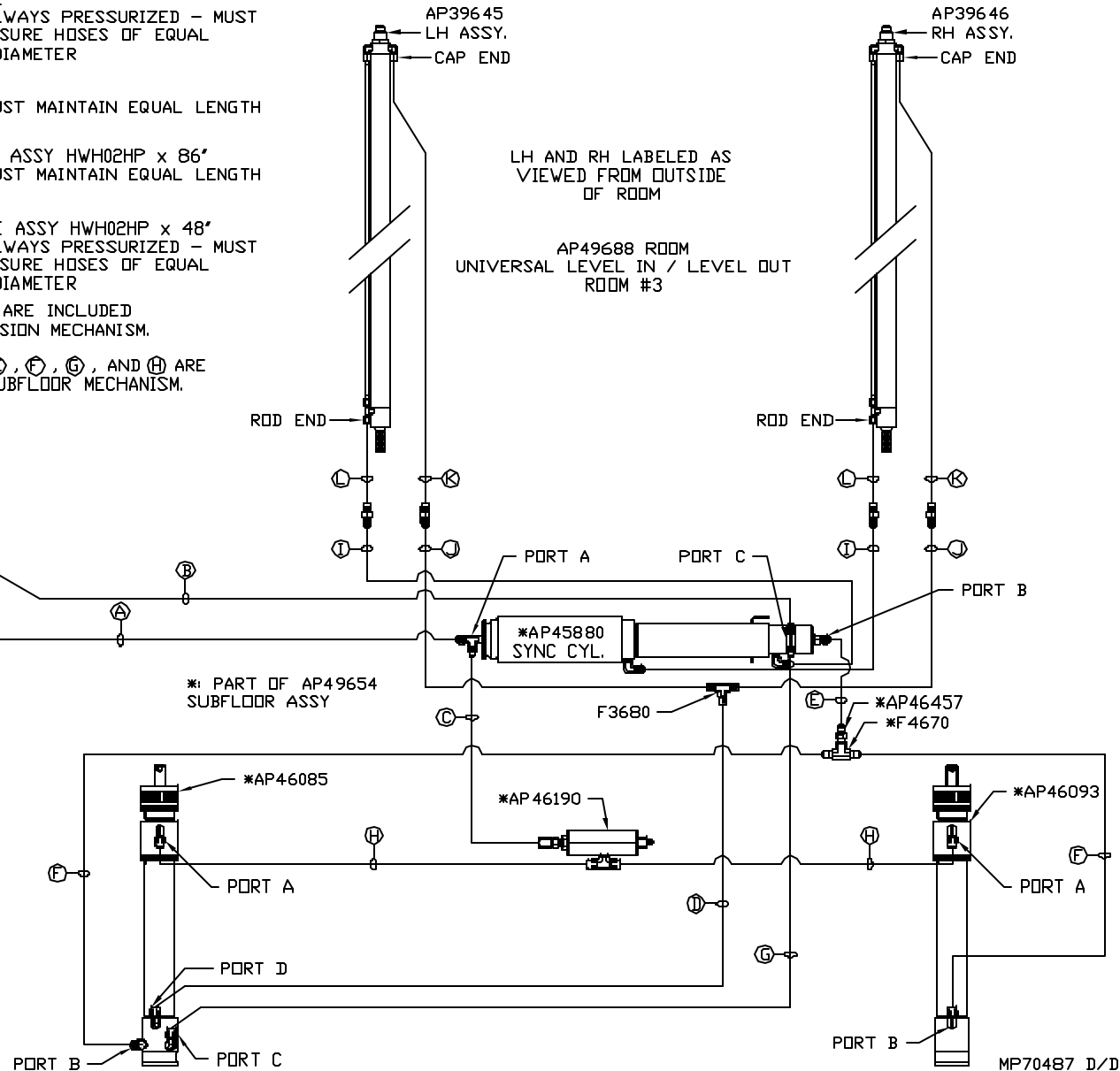
FRONT VIEW
MANIFOLD-B



SIDE VIEW PUMP/MANIFOLD-AP39438

LOCATION AND ORIENTATION OF
PUMP/MANIFOLD ASSEMBLY WILL
DIFFER DEPENDING UPON O.E.M.

NOTE: INSTALLATION MUST CONFORM TO GOOD SHOP PRACTICES, SAE
STANDARDS, RVIA STANDARDS, AND OTHER APPLICABLE STANDARDS.



MP70487 D/D
02AUG12