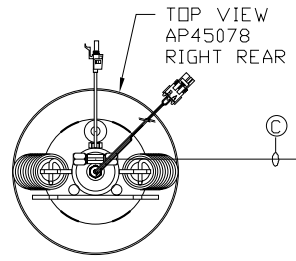
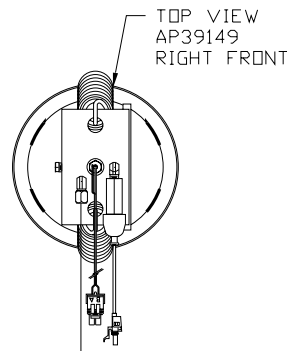


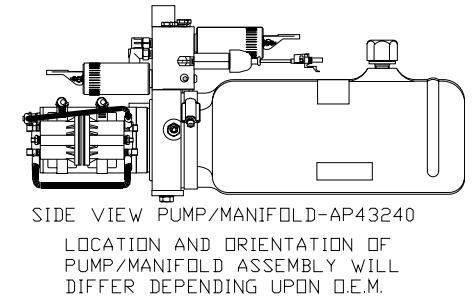
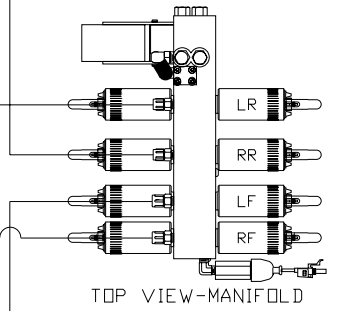
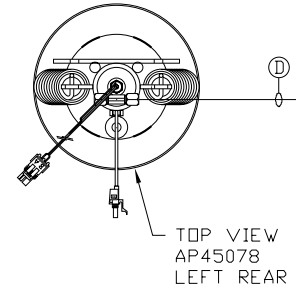
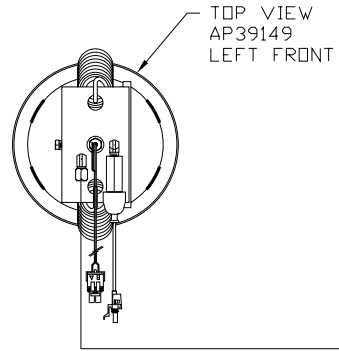
ORIENTATION

← FRONT



- Ⓐ AP7175 HOSE ASSY .25" X 530"
- Ⓑ AP5925 HOSE ASSY .25" X 444"
- Ⓒ AP4162 HOSE ASSY .25" X 192"
- Ⓓ AP3314 HOSE ASSY .25" X 48"

NOTE: CROSS TIES REQUIRED FOR FRONT AND REAR JACKS



NOTE: INSTALLATION MUST CONFORM TO GOOD SHOP PRACTICES, SAE STANDARDS, RVIA STANDARDS, AND OTHER APPLICABLE STANDARDS.

LEVELING SYSTEM: AP50205

NO.	DATE	REVISION
THE INFORMATION DISCLOSED ON THIS DRAWING IS CONFIDENTIAL AND MUST NOT BE DISCLOSED OR USED IN ANY MANNER WHICH WILL BE DETRIMENTAL TO THE HWH CORPORATION		

HWH I-80 EXIT 267 SOUTH
RT 1 MOSCOW, IOWA 52760

SCALE 1:6 DATE 08JUL10 DRAWN BY .

HYD CONN DIAGRAM

HEAD, INC. DRAWING NUMBER MP70534