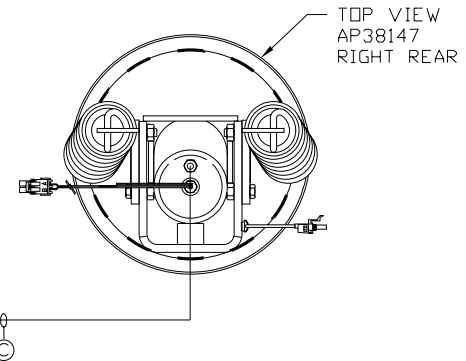
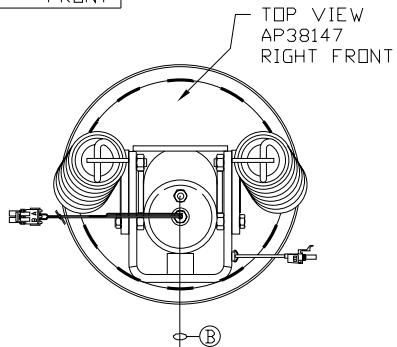
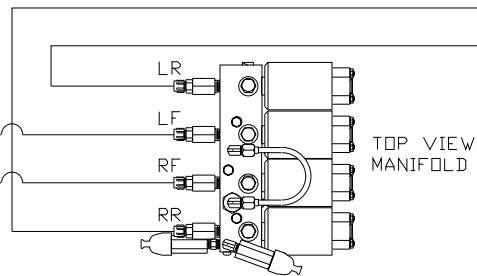
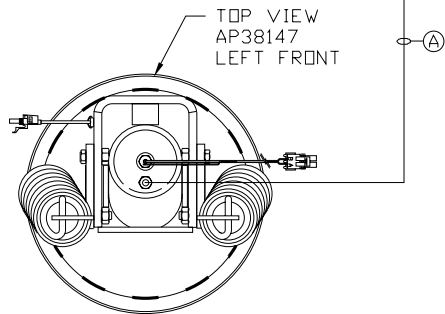


ORIENTATION

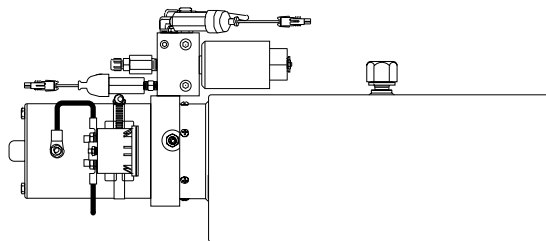
← FRONT



- Ⓐ AP4163 HOSE ASSY .25" x 360"
- Ⓑ AP4163 HOSE ASSY .25" x 360"
- Ⓒ AP4163 HOSE ASSY .25" x 360"
- Ⓓ AP4163 HOSE ASSY .25" x 360"

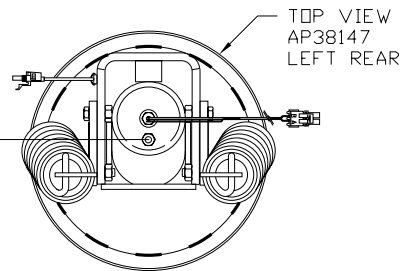


CROSS TIES REQUIRED FOR
FRONT AND REAR JACKS.



SIDE VIEW PUMP/MANIFOLD-AP38534

ORIENTATION OF PUMP/MANIFOLD
MAY DIFFER



NOTE: INSTALLATION MUST CONFORM TO GOOD SHOP PRACTICES, SAE STANDARDS, RVIA STANDARDS, AND OTHER APPLICABLE STANDARDS.

LEVELING SYSTEM: AP50328

NO.	DATE	REVISION

THE INFORMATION DISCLOSED ON THIS DRAWING IS CONFIDENTIAL AND MUST NOT BE DISCLOSED OR USED IN ANY MANNER WHICH WILL BE DETRIMENTAL TO THE HWH CORPORATION

HWH I-80 EXIT 267 SOUTH
RT 1 MOSCOW, IOWA 52760

SCALE 1:6 DATE 01JUN12 DRAWN BY .

HYD CONN DIAGRAM

STONEWAY

DRAWING NUMBER
MP70548