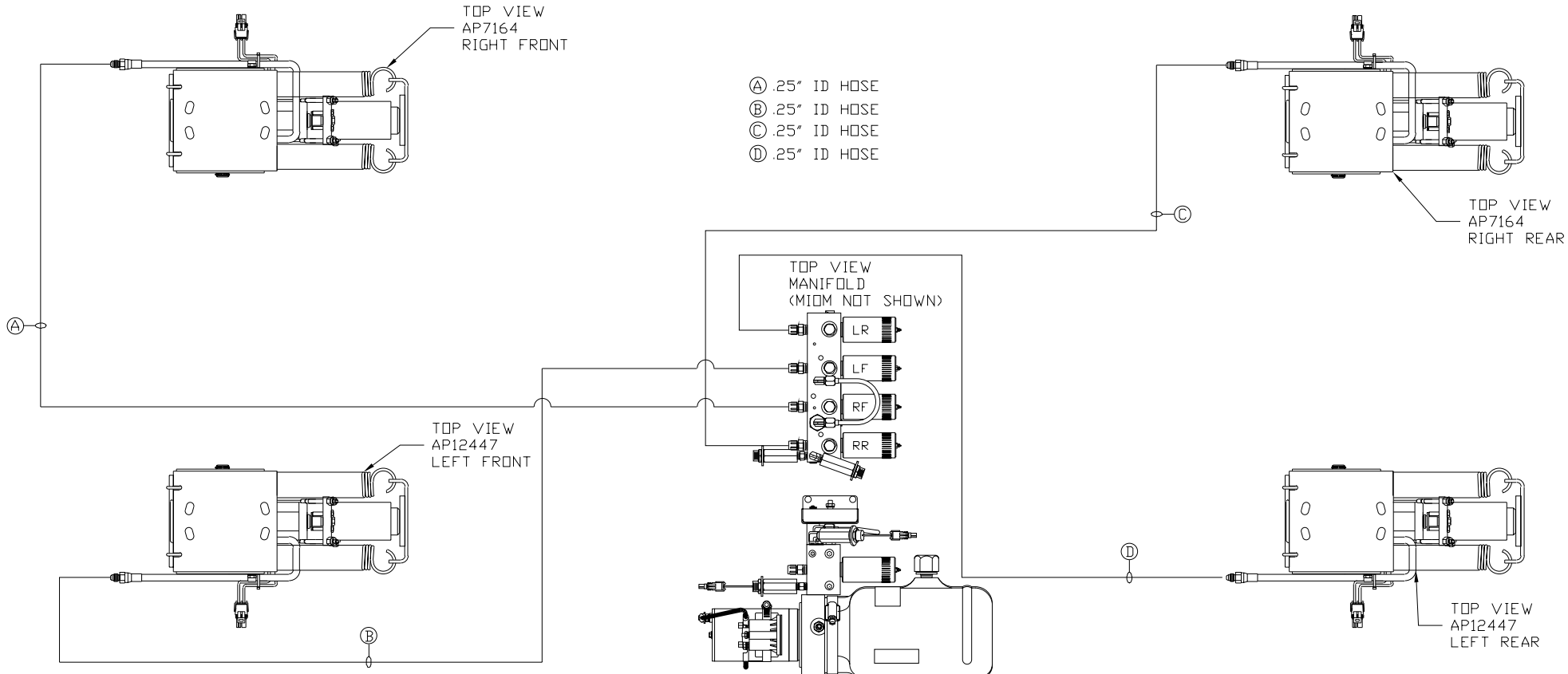


ORIENTATION

← FRONT



- Ⓐ .25" ID HOSE
- Ⓑ .25" ID HOSE
- Ⓒ .25" ID HOSE
- Ⓓ .25" ID HOSE

NOTE: INSTALLATION MUST CONFORM TO GOOD SHOP PRACTICES, SAE STANDARDS, RVIA STANDARDS, AND OTHER APPLICABLE STANDARDS. LEVELING SYSTEM: AP50300

			HWH	I-80 EXIT 267 SOUTH RT 1 MOSCOW, IOWA 52760
			SCALE 1:6	DATE 05JUN12
			DRAWN BY .	
NO.	DATE	REVISION	HYD CONN DIAGRAM	
THE INFORMATION DISCLOSED ON THIS DRAWING IS CONFIDENTIAL AND MUST NOT BE DISCLOSED OR USED IN ANY MANNER WHICH WILL BE DETRIMENTAL TO THE HWH CORPORATION			STUARTS	DRAWING NUMBER MP70552