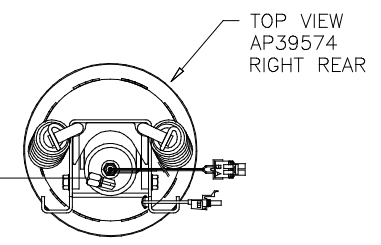
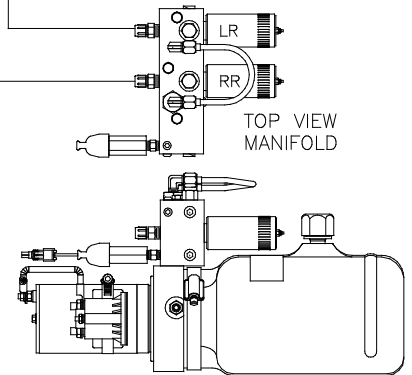
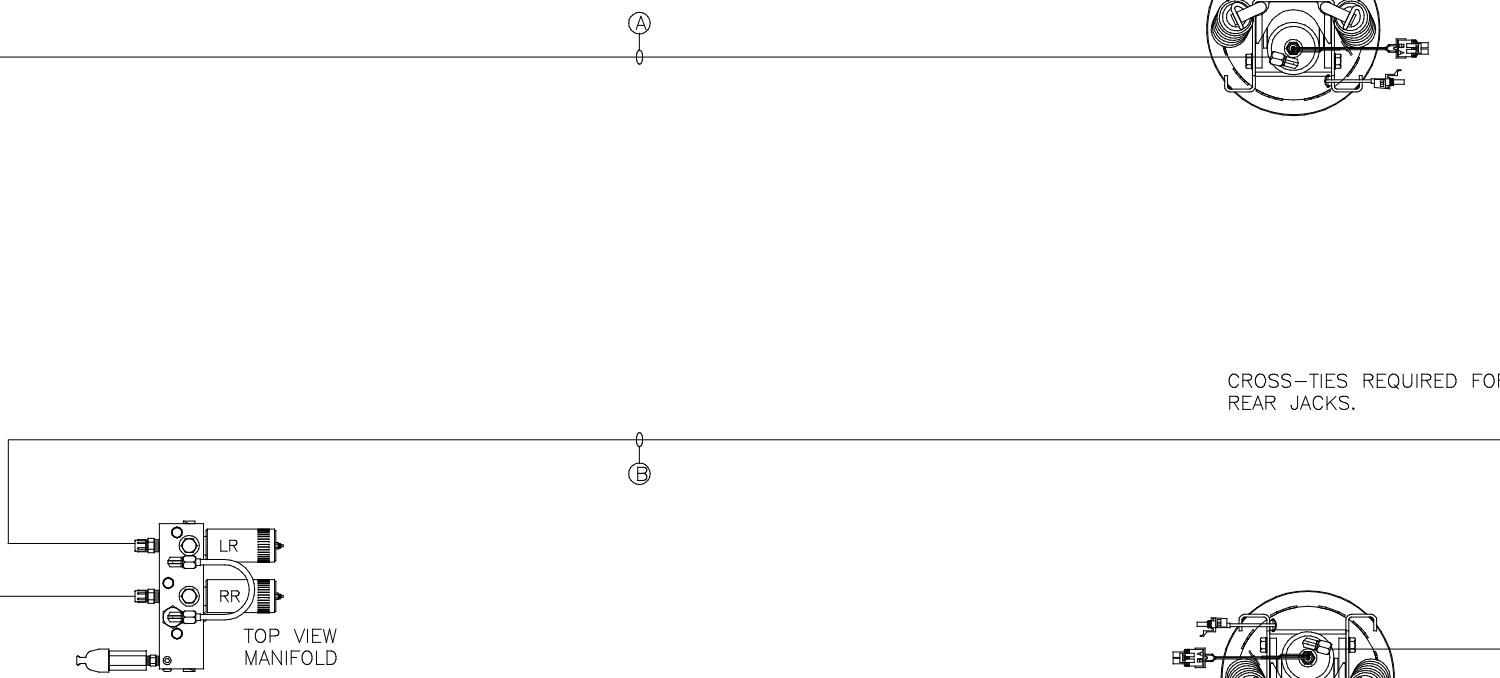
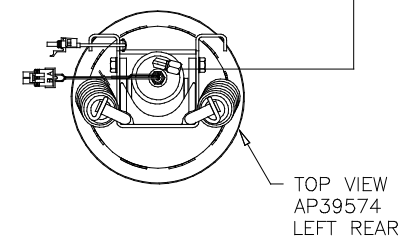


ORIENTATION
← FRONT



CROSS-TIES REQUIRED FOR REAR JACKS.



- Ⓐ AP4161 HOSE ASSY .25" x 120"
- Ⓑ AP4827 HOSE ASSY .25" x 144"

SIDE VIEW PUMP/MANIFOLD-AP40647
LOCATION AND ORIENTATION OF PUMP/MANIFOLD ASSEMBLY WILL DIFFER DEPENDING UPON O.E.M.

NOTE: INSTALLATION MUST CONFORM TO GOOD SHOP PRACTICES, SAE STANDARDS, RVIA STANDARDS, AND OTHER APPLICABLE STANDARDS.

LEVELING SYSTEM: AP50666

		HWH		1-80 EXIT 267 SOUTH RT 1 MOSCOW, IOWA 52760	
		SCALE 1:6	DATE 21AUG12	DRAWN BY .	
		HYD CONN DIAGRAM			
NO.	DATE	REVISION			
THE INFORMATION DISCLOSED ON THIS DRAWING IS CONFIDENTIAL AND MUST NOT BE DISCLOSED OR USED IN ANY MANNER WHICH WILL BE DETRIMENTAL TO THE HWH CORPORATION					
				DRAWING NUMBER MP70591	

BSI