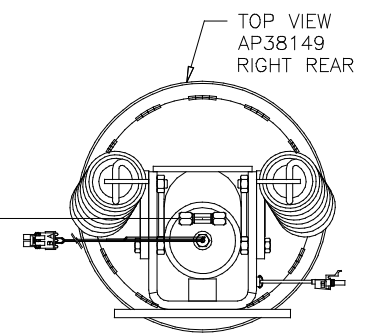
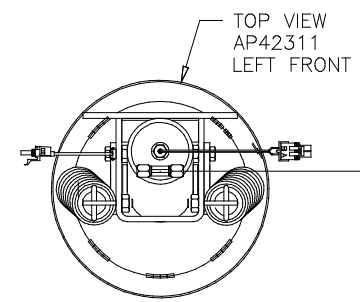
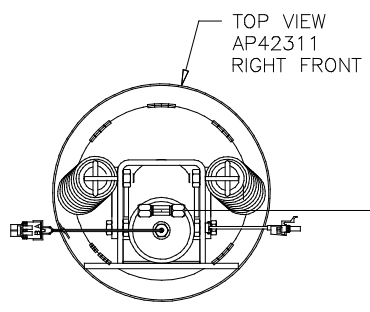
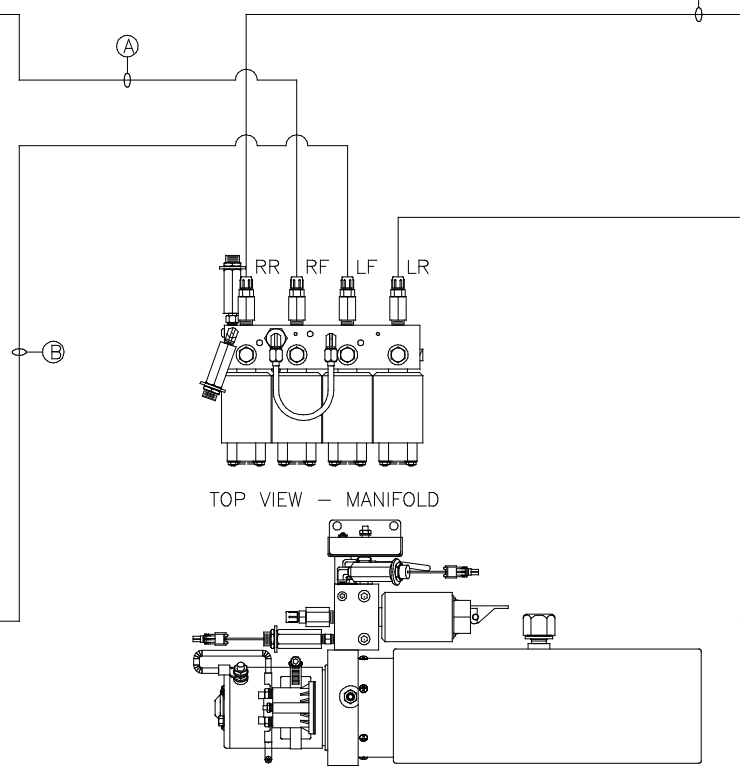
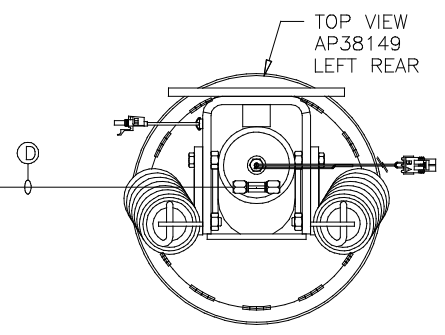


ORIENTATION  
 ← FRONT



- Ⓐ AP4073 HOSE ASSY .25" x 60"
- Ⓑ AP4062 HOSE ASSY .25" x 132"
- Ⓒ AP5924 HOSE ASSY .25" x 228"
- Ⓓ AP4064 HOSE ASSY .25" x 300"

NOTE: CROSS TIES REQUIRED FOR FRONT AND REAR JACKS



NOTE: INSTALLATION MUST CONFORM TO GOOD SHOP PRACTICES, SAE STANDARDS, RVIA STANDARDS, AND OTHER APPLICABLE STANDARDS.

LEVELING SYSTEM: AP50933

NO.	DATE	REVISION

THE INFORMATION DISCLOSED ON THIS DRAWING IS CONFIDENTIAL AND MUST NOT BE DISCLOSED OR USED IN ANY MANNER WHICH WILL BE DETRIMENTAL TO THE HWH CORPORATION

HWH 1-80 EXIT 267 SOUTH  
 RT 1 MOSCOW, IOWA 52760  
 SCALE 1:6 DATE 24AUG12 DRAWN BY .

HYD CONN DIAGRAM

OBS INC. DRAWING NUMBER MP70593