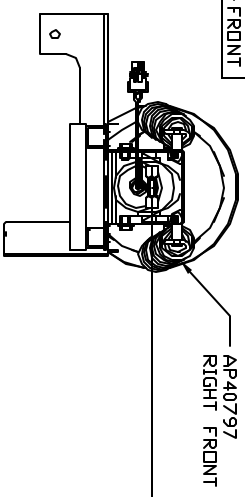
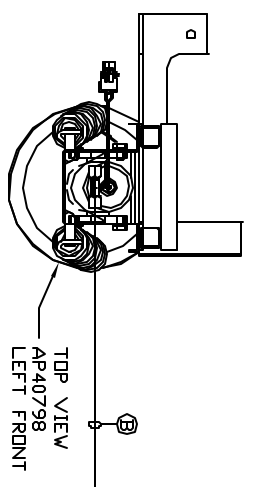


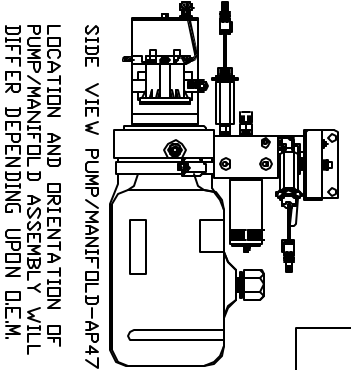
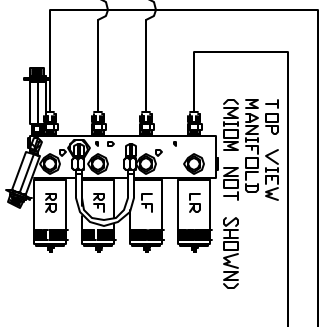
ORIENTATION
FRONT



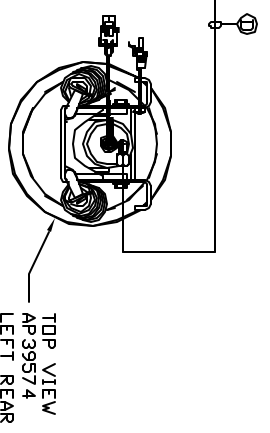
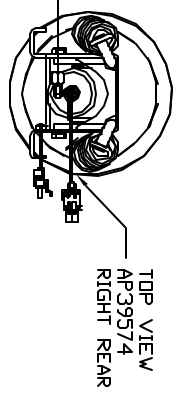
CROSS TIE REQUIRED FOR FRONT AND REAR JACKS.



- Ⓐ AP6115 HOSE ASSY .25" x 168"
- Ⓑ AP7832 HOSE ASSY .25" x 100"
- Ⓒ AP4061 HOSE ASSY .25" x 216"
- Ⓓ AP6115 HOSE ASSY .25" x 168"



LOCATION AND ORIENTATION OF PUMP/MANIFOLD ASSEMBLY WILL DIFFER DEPENDING UPON DEM.



NOTE: INSTALLATION MUST CONFORM TO GOOD SHOP PRACTICES, SAE STANDARDS, RVIA STANDARDS, AND OTHER APPLICABLE STANDARDS.

LEVELING SYSTEM: AP50114

NO.	DATE	REVISION

HW H	1-80 EXT 267 SOUTH
RT 1 MOSCOW, IOWA 52760	
SCALE 1:6	DATE 16AUG13
DRAWN BY .	
HYD CONN DIAGRAM	
COMSA SEGURIDAD	
DRAWING NUMBER	MP70647